



CABINS

Gable roof

GABLE ROOF CABINS



PALMAKO CABIN
TINA 7,5 m²



PALMAKO CABIN
TINA 10,4 m²



PALMAKO CABIN
TINA 13,5 m²



PALMAKO CABIN
VIVIAN 3,8 m²



PALMAKO CABIN
VIVIAN 6,9 m²



PALMAKO CABIN
LOTTA 7,3 m²



PALMAKO CABIN
LOTTA 10,0 m²



PALMAKO CABIN
LOTTA 13,9 m²



PALMAKO CABIN
KLARA 4,7 m²



PALMAKO CABIN
KLARA 10,4 m²



PALMAKO CABIN
KLARA 17,0 m²



PALMAKO CABIN
VALENTINE 4,7 m²



PALMAKO CABIN
VALENTINE 6,1 m²



PALMAKO CABIN
VALENTINE 9,0 m²



PALMAKO CABIN
VALENTINE 11,0 m²



PALMAKO CABIN
BRITTA 14,6 m²



PALMAKO CABIN
BRITTA 17,5 m²



PALMAKO CABIN
BRITTA 19,7 m²



PALMAKO CABIN
BRITTA 22,3 m²



PALMAKO CABIN
EMMA 4,6 m²



PALMAKO CABIN
EMMA 10,4 m²



PALMAKO CABIN
EMMA 10,4+4,2 m²



PALMAKO CABIN
EMMA 14,2 m²



PALMAKO CABIN
SALLY 10,2 m²



PALMAKO CABIN
SALLY 12,3 m²



PALMAKO CABIN
SALLY 15,5 m²



PALMAKO CABIN
SALLY 19,1 m²



PALMAKO CABIN
HELENA 15,1 m²



PALMAKO CABIN
HELENA 18,6 m²



PALMAKO CABIN
HELENA 24,6 m²



PALMAKO CABIN
SUSANNA 12,4 m²



PALMAKO CABIN
SUSANNA 16,4 m²



PALMAKO CABIN
IRENE 13,9 m²



PALMAKO CABIN
IRENE 19,0 m²



PALMAKO CABIN
IRENE 23,9 m²



PALMAKO CABIN
IRENE 21,9+5,2 m²



PALMAKO CABIN
IRENE 27,7 m²



PALMAKO CABIN
INES 11,1 m²



PALMAKO CABIN
INES 13,7 m²



PALMAKO CABIN
IRIS 9,6 m²



PALMAKO CABIN
IRIS 11,1 m²



PALMAKO CABIN
IRIS 19,1 m²



PALMAKO CABIN
CLAUDIA 7,4 m²



PALMAKO CABIN
CLAUDIA 11,5 m²



PALMAKO CABIN
CLAUDIA 19,4 m²

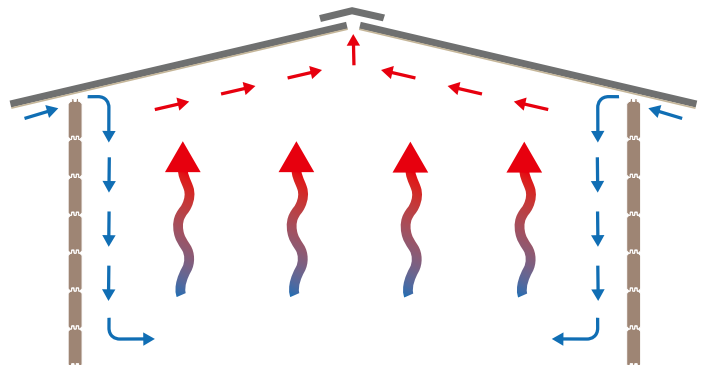
Palmako garden houses with metal roof

**NEW!
METAL ROOF!**

We can officially now present a breakthrough among classical log square garden houses. Until now, depending on the roof type, we offered for our garden buildings either roofing felt, SBS roofing material, EPDM or shingles as an optional extra. Now we have added to our product selection of garden houses those with a metal roof and rain gutters. If you are considered having a metal roof garden house, we have a kit for a garden house with a black (RAL 9004) metal roof, including roof ridge caps, anti-condensation felt and a rainwater system. The metal cover goes straight onto the purlins, i.e. there are no ceiling boards.



- Metal roof included (10-year warranty)
- Metal thickness 0,45 mm
- Measures of one roofing sheet:
1850x1180 mm (Tina 7,5 m²);
2200x1180 mm (Tina 10,4 m², Tina 13,5 m²)
- DRIPSTOP anti-condensation felt
- Metal rain gutters included
- Carefree roof maintenance



Proper ventilation (arrows show how air is released from the building)

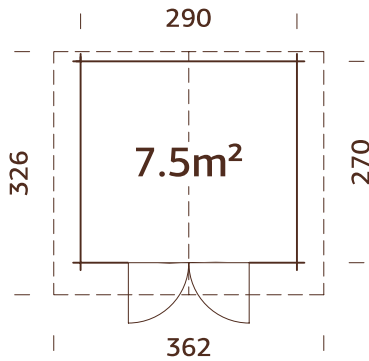
When placed under metal, DRIPSTOP anti-condensation felt traps moisture in the specially designed pockets formed in the membrane. DRIPSTOP holds that moisture until conditions return to below the dew point and then releases it back into the air in the form of normal humidity.

At night, the temperature inside a building is warmer than outside. Warm, wet air rises to the cold roof and cools. As it cools, it can't hold as much moisture. Excess moisture ends up as drops of condensation on the roof. At sunrise the temperature of the metal will rise and the trapped moisture will start to evaporate back into the air as normal humidity.

DRIPSTOP anti-condensation felt is placed under metal and provides a medium for trapping this moisture with its specially designed membrane pockets. DRIPSTOP anticondensation felt is self-adhesive and is applied to the metal panel in the roll-forming process. As a result, DRIPSTOP arrives at the building site already in place and set to be installed with the roofing panels immediately. The membrane is resistant to aging and provides an additional layer of protection for your metal roof.

PALMAKO CABIN TINA 7,5 m²

ARTICLE NUMBER: 108200



Metal roof and rain gutters included.

TREATMENT OPTIONS



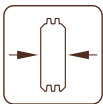
108201
brown dip



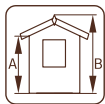
108202
grey dip



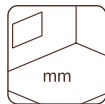
108203
clear white dip



34 mm



A: 205 cm
B: 256 cm



NB! Floor is an optional extra! 19 mm

MODEL SPECIFICATIONS

Log measurements:

310x290 cm

Volume: 15,9 m³

Door/window type: Garden

Door/window glass:

Real glass, 4 mm

Door opening

measurements: 151x175 cm

Door sill: low, covered with stainless steel

Roof area: 11,9 m²

Roof gradient: 16,0°

Gross ground area: 7,8 m²

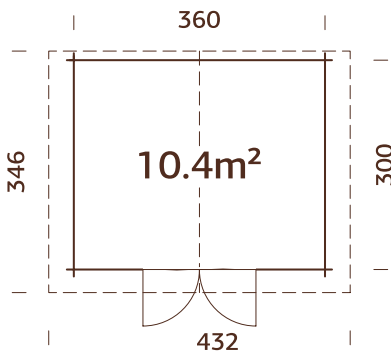
OPTIONAL

Floor, additional door.

See Optional Products p. 242-257 for details.

PALMAKO CABIN TINA 10,4 m²

ARTICLE NUMBER: 107933



Metal roof and rain gutters included.

TREATMENT OPTIONS



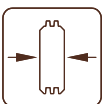
107931
brown dip



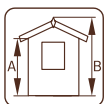
107932
grey dip



107934
clear white dip



34 mm



A: 205 cm
B: 266 cm



NB! Floor is an optional extra! 19 mm

MODEL SPECIFICATIONS

Log measurements:

380x320 cm

Volume: 23,9 m³

Door/window type: Garden

Door/window glass:

Real glass, 4 mm

Door opening

measurements: 151x175 cm

Door sill: low, covered with stainless steel

Roof area: 14,9 m²

Roof gradient: 16,0°

Gross ground area: 10,8 m²

OPTIONAL

Floor, additional door.

See Optional Products p. 242-257 for details.

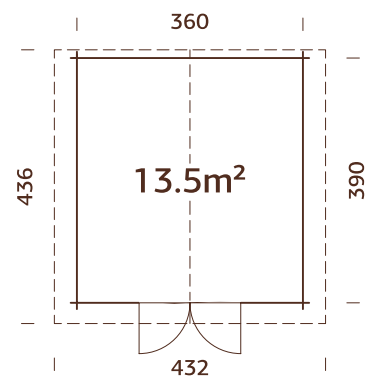


PALMAKO CABIN TINA 13,5 m²

ARTICLE NUMBER: 108214



Metal roof and rain gutters included.



MODEL SPECIFICATIONS

Log measurements:

380x410 cm

Volume: 29,7 m³

Door/window type:

Garden

Door/window glass:

Real glass, 4 mm

Door opening

measurements: 151x175 cm

Door sill: low,

covered with stainless steel

Roof area: 18,9 m²

Roof gradient: 16,0°

Gross ground area: 14,0 m²

TREATMENT OPTIONS



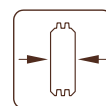
108215
brown dip



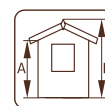
108216
grey dip



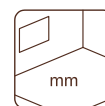
108217
clear white dip



34 mm



A: 205 cm
B: 266 cm



NB! Floor is an optional extra! 19 mm

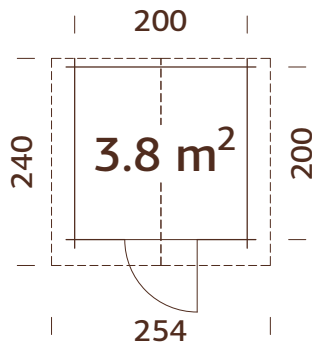
OPTIONAL

Floor, additional door.

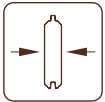
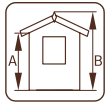
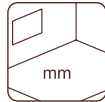
See Optional Products p. 242-257 for details.

PALMAKO CABIN VIVIAN 3,8 m²

ARTICLE NUMBER: 101314

under
2,5m

TREATMENT OPTIONS

**101315**
brown dip**101317**
grey dip**101316**
clear white dip**28 mm****A: 190 cm**
B: 222 cm**Included**
19 mm

MODEL SPECIFICATIONS

Log measurements:

220x220 cm

Volume: 8,1 m³**Door/window type:** Garden**Door/window glass:**

Real glass, 4 mm

Door opening

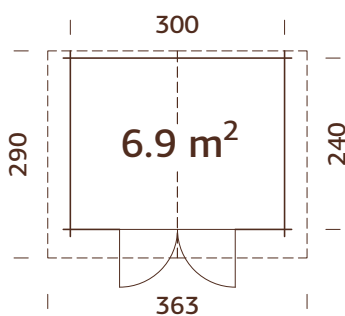
measurements: 73x175 cm**Door sill:** low, covered with
stainless steel**Roof boards:** 19 mm**Roof area:** 6,2 m²**Roof gradient:** 16,3°**Gross ground area:** 4,0 m²

OPTIONAL

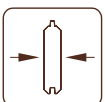
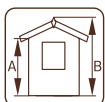
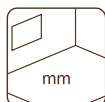
Roofing felt (underlayer): 1 roll, SBS roofing material: 1 roll, shingles: 3 packs, roofing nails, rain gutters, additional door. See Optional Products p. 242-257 for details.

PALMAKO CABIN VIVIAN 6,9 m²

ARTICLE NUMBER: 101523

under
2,5m

TREATMENT OPTIONS

**101524**
brown dip**101526**
grey dip**101525**
clear white dip**28 mm****A: 194 cm**
B: 245 cm**Included**
19 mm

MODEL SPECIFICATIONS

Log measurements:

320x260 cm

Volume: 16,1 m³**Door/window type:** Garden**Door/window glass:**

Real glass, 4 mm

Door opening

measurements: 151x175 cm**Door sill:** low,
covered with stainless steel**Roof boards:** 19 mm**Roof area:** 11,0 m²**Roof gradient:** 19,2°**Gross ground area:** 7,2 m²

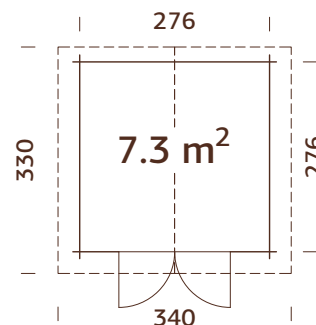
OPTIONAL

Roofing felt (underlayer): 2 rolls, SBS roofing material: 2 rolls, shingles: 5 packs, roofing nails, rain gutters, additional door. See Optional Products p. 242-257 for details.

PALMAKO CABIN LOTTA 7,3 m²

ARTICLE NUMBER: 101482

under
2,5m



MODEL SPECIFICATIONS

Log measurements:

296x296 cm

Volume: 15,7 m³

Door/window type: Garden

Door/window glass:

Real glass, 4 mm

Door opening

measurements: 151x175 cm

Door sill: low,

covered with stainless steel

Roof boards: 16 mm

Roof area: 11,5 m²

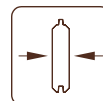
Roof gradient: 16,2°

Gross ground area: 7,6 m²

TREATMENT OPTIONS



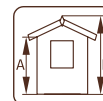
101483
brown dip



28 mm



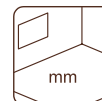
101485
grey dip



A: 194 cm
B: 234 cm



101484
clear white dip



NB! Floor is an optional extra! 19 mm

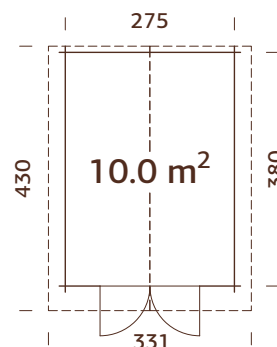
OPTIONAL

Floor, roofing felt (underlayer): 3 rolls, SBS roofing material: 3 rolls, shingles: 5 packs, roofing nails, rain gutters, extension, canopy roof, additional door. See Optional Products p. 242-257 for details.

PALMAKO CABIN LOTTA 10,0 m²

ARTICLE NUMBER: 101646

under
2,5m



MODEL SPECIFICATIONS

Log measurements:

295x400 cm

Volume: 20,8 m³

Door/window type:

Garden

Door/window glass:

Real glass, 4 mm

Door opening

measurements: 151x175 cm

Door sill: wooden

Roof boards: 16 mm

Roof area: 15,1 m²

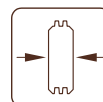
Roof gradient: 20,9°

Gross ground area: 10,5 m²

TREATMENT OPTIONS



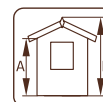
101647
brown dip



34 mm



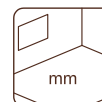
101649
grey dip



A: 182 cm
B: 234 cm



101648
clear white dip



NB! Floor is an optional extra! 19 mm

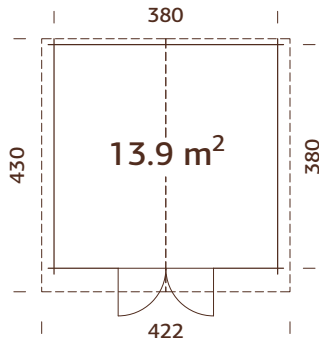
OPTIONAL

Floor, roofing felt (underlayer): 3 rolls, SBS roofing material: 3 rolls, shingles: 6 packs, roofing nails, rain gutters, canopy roof, additional door. See Optional Products p. 242-257 for details.

PALMAKO CABIN LOTTA 13,9 m²

ARTICLE NUMBER: 101694

under
2,5m



TREATMENT OPTIONS



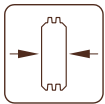
101695
brown dip



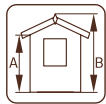
101697
grey dip



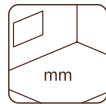
101696
clear white dip



34 mm



A: 182 cm
B: 245 cm



NB! Floor is an optional extra! 19 mm

MODEL SPECIFICATIONS

Log measurements:

400x400 cm

Volume: 29,8 m³

Door/window type:

Garden

Door/window glass:

Real glass, 4 mm

Door opening

measurements: 151x175 cm

Door sill: wooden

Roof boards: 16 mm

Roof area: 19,1 m²

Roof gradient: 18,6°

Gross ground area: 14,4 m²

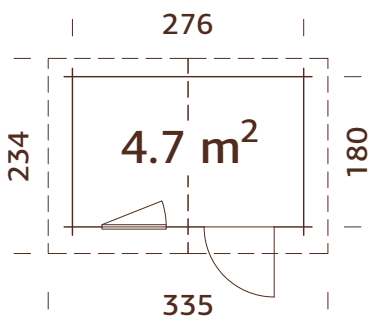
OPTIONAL

Floor, roofing felt (underlayer): 3 rolls, SBS roofing material: 3 rolls, shingles: 8 packs, roofing nails, rain gutters, canopy roof, additional door. See Optional Products p. 242-257 for details.

PALMAKO CABIN KLARA 4,7 m²

ARTICLE NUMBER: 101827

under
2,5m



TREATMENT OPTIONS



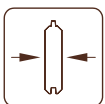
101828
brown dip



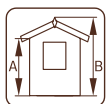
101830
grey dip



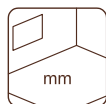
101829
clear white dip



28 mm



A: 194 cm
B: 235 cm



NB! Floor is an optional extra! 19 mm

MODEL SPECIFICATIONS

Log measurements:

296x200 cm

Volume: 10,1 m³

Door/window type:

Garden

Door/window glass:

Real glass, 4 mm

Window opening

measurements: 66x89 cm

Door opening

measurements: 73x175 cm

Door sill: low,

covered with stainless steel

Roof boards: 16 mm

Roof area: 8,0 m²

Roof gradient: 16,2°

Gross ground area: 5,0 m²

OPTIONAL

Floor, roofing felt (underlayer): 2 rolls, SBS roofing material: 2 rolls, shingles: 4 packs, roofing nails, rain gutters, additional door and window. See Optional Products p. 242-257 for details.

PALMAKO CABIN KLARA 10,4 m²

ARTICLE NUMBER: 101990

under
2,5m



MODEL SPECIFICATIONS

Log measurements:

380x320 cm

Volume: 22,9 m³

Door/window type: Garden

Door/window glass:

Real glass, 4 mm

Window opening

measurements: 66x89 cm

Door opening

measurements: 139x175 cm

Door sill: low,

covered with stainless steel

Roof boards: 16 mm

Roof area: 15,4 m²

Roof gradient: 16,1°

Gross ground area: 10,8 m²

TREATMENT OPTIONS



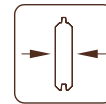
101991
brown dip



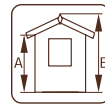
101993
grey dip



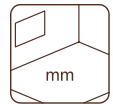
101992
clear white dip



28 mm



A: 194 cm
B: 245 cm



NB! Floor is an optional extra! 19 mm

OPTIONAL

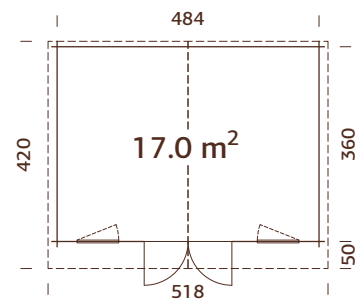
Floor, roofing felt (underlayer): 3 rolls, SBS roofing material: 3 rolls, shingles: 6 packs, roofing nails, rain gutters, extension, canopy roof, additional door and window. See Optional Products p. 242-257 for details.

PALMAKO CABIN KLARA 17,0 m²

ARTICLE NUMBER: 102130



under
2,5m



MODEL SPECIFICATIONS

Log measurements:

504x380 cm

Volume: 36,3 m³

Door/window type: Garden

Door/window glass:

Real glass, 4 mm

Window opening

measurements: 66x89 cm

Door opening

measurements: 139x175 cm

Door sill: low, covered with

stainless steel

Roof boards: 16 mm

Roof area: 22,4 m²

Roof gradient: 14,6°

Gross ground area: 17,4 m²

TREATMENT OPTIONS



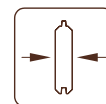
102131
brown dip



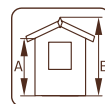
102133
grey dip



102132
clear white dip



28 mm



A: 182 cm
B: 245 cm



NB! Floor is an optional extra! 19 mm

OPTIONAL

Floor, roofing felt (underlayer): 4 rolls, SBS roofing material: 4 rolls, shingles: 10 packs, roofing nails, rain gutters, canopy roof, additional door and window. See Optional Products p. 242-257 for details.



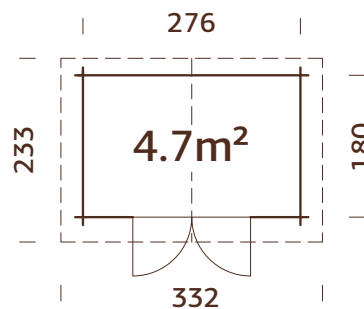
PALMAKO CABIN VALENTINE 4,7 m²

ARTICLE NUMBER: 109452



NEW!

under 2,5m



MODEL SPECIFICATIONS

Log measurements:

296x200 cm

Volume: 10,1 m³

Door/window type: Garden

Door/window glass:

Real glass, 4 mm

Door opening

measurements: 151x175 cm

Door sill: low, covered with stainless steel

Roof boards: 16 mm

Roof area: 7.9 m²

Roof gradient: 16,2°

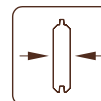
Gross ground area: 5.0 m²

TREATMENT

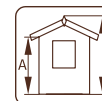


109452

brown pressure-treated

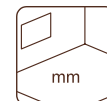


28 mm



A: 194 cm

B: 236 cm



NB! Floor is an optional extra! 19 mm

OPTIONAL

Floor, roofing felt (underlayer): 2 rolls, SBS roofing material: 2 rolls, shingles 4 packs, roofing nails, rain gutters, canopy roof, additional door and window. See Optional Products p. 242-257 for details.

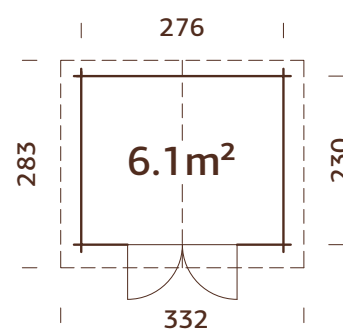
PALMAKO CABIN VALENTINE 6,1 m²

ARTICLE NUMBER: 109454



NEW!

under 2,5m



MODEL SPECIFICATIONS

Log measurements:

296x250 cm

Volume: 13.0 m³

Door/window type: Garden

Door/window glass:

Real glass, 4 mm

Door opening

measurements: 151x175 cm

Door sill: low, covered with stainless steel

Roof boards: 16 mm

Roof area: 9.6 m²

Roof gradient: 16,2°

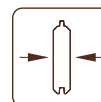
Gross ground area: 6.3 m²

TREATMENT

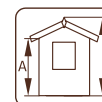


109454

brown pressure-treated

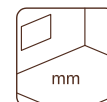


28 mm



A: 194 cm

B: 235 cm



NB! Floor is an optional extra! 19 mm

OPTIONAL

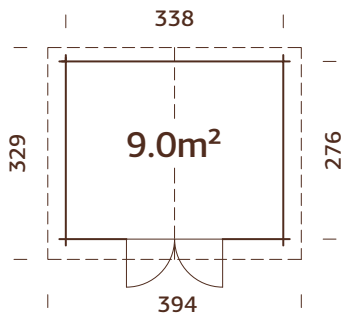
Floor, roofing felt (underlayer): 2 rolls, SBS roofing material: 2 rolls, shingles 4 packs, roofing nails, rain gutters, extension, canopy roof, additional door and window. See Optional Products p. 242-257 for details.

PALMAKO CABIN VALENTINE 9,0 m²

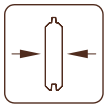
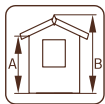
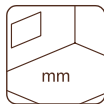
ARTICLE NUMBER: 109458



NEW!

under
2,5m**TREATMENT****109458**

brown pressure-treated

**28 mm****A: 194 cm**
B: 235 cm**NB! Floor is an optional extra! 19 mm****MODEL SPECIFICATIONS****Log measurements:**

358x296 cm

Volume: 18.1 m³**Door/window type:** Garden**Door/window glass:**

Real glass, 4 mm

Door opening**measurements:** 151x175 cm**Door sill:** low,

covered with stainless steel

Roof boards: 16 mm**Roof area:** 12,5 m²**Roof gradient:** 14,1°**Gross ground area:** 8,8 m²**OPTIONAL**

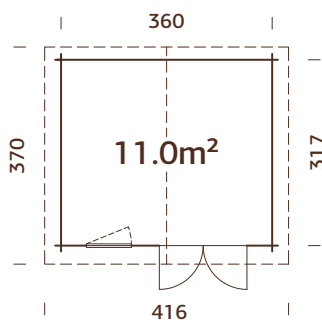
Floor, roofing felt (underlayer): 2 rolls, SBS roofing material: 2 rolls, shingles 6 packs, roofing nails, rain gutters, extension, canopy roof, additional door and window. See Optional Products p. 242-257 for details.

PALMAKO CABIN VALENTINE 11,0 m²

ARTICLE NUMBER: 109527



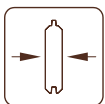
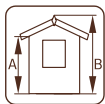
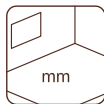
NEW!



Strong purlins from laminated wood.

TREATMENT**109527**

brown pressure-treated

**28 mm****A: 205 cm**
B: 258 cm**NB! Floor is an optional extra! 19 mm****MODEL SPECIFICATIONS****Log measurements:**

380x337 cm

Volume: 25,5 m³**Door/window type:** Garden**Door/window glass:**

Real glass, 4 mm

Window opening**measurements:** 66x89 cm**Door opening****measurements:** 151x175 cm**Door sill:** low, covered with

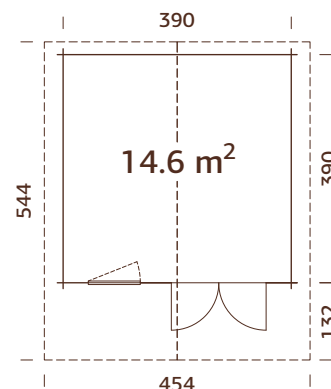
stainless steel

Roof boards: 16 mm**Roof area:** 15,8 m²**Roof gradient:** 16,0°**Gross ground area:** 11,4 m²**OPTIONAL**

Floor, roofing felt (underlayer): 4 rolls, SBS roofing material: 4 rolls, shingles 7 packs, roofing nails, rain gutters, extension, canopy roof, additional door and window. See Optional Products p. 242-257 for details.

PALMAKO CABIN BRITTA 14,6 m²

ARTICLE NUMBER: 102072



MODEL SPECIFICATIONS

Log measurements:

410x410 cm

Volume: 33,7 m³

Door/window type: Garden

Door/window glass:

Real glass, 4 mm

Window opening

measurements: 78x89 cm

Door opening

measurements: 151x186 cm

Door sill: low, covered with stainless steel

Roof boards: 19 mm

Roof area: 25,2 m²

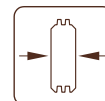
Roof gradient: 15,0°

Gross ground area: 15,2 m²

TREATMENT OPTIONS



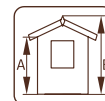
102073
brown dip



40 mm



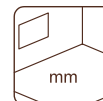
102075
grey dip



A: 205 cm
B: 257 cm



102074
clear white dip



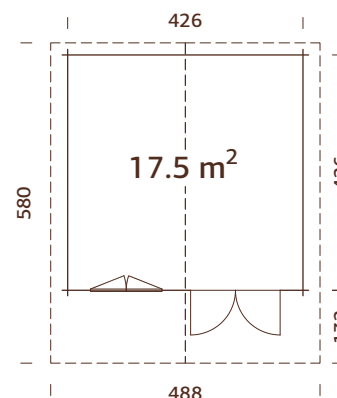
NB! Floor is an optional extra! 19 mm

OPTIONAL

Floor, roofing felt (underlayer): 7 rolls, SBS roofing material: 7 rolls, shingles: 10 packs, roofing nails, rain gutters, extension, canopy roof, additional door and window. See Optional Products p. 242-257 for details.

PALMAKO CABIN BRITTA 17,5 m²

ARTICLE NUMBER: 102252



MODEL SPECIFICATIONS

Log measurements:

446x446 cm

Volume: 41,4 m³

Door/window type: Garden

Door/window glass:

Real glass, 4 mm

Window opening

measurements: 119x89 cm

Door opening

measurements: 151x186 cm

Door sill: low, covered with stainless steel

Roof boards: 19 mm

Roof area: 29,3 m²

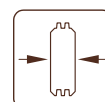
Roof gradient: 16,5°

Gross ground area: 18,1 m²

TREATMENT OPTIONS



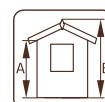
102253
brown dip



40 mm



102255
grey dip



A: 205 cm
B: 270 cm



102254
clear white dip



NB! Floor is an optional extra! 19 mm

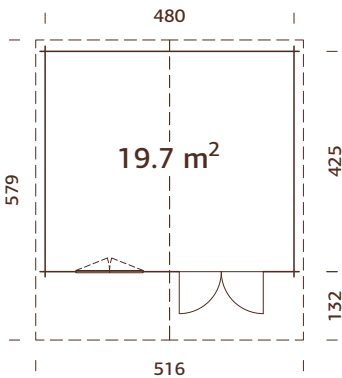
OPTIONAL

Floor, roofing felt (underlayer): 7 rolls, SBS roofing material: 7 rolls, shingles: 11 packs, roofing nails, rain gutters, extension, canopy roof, additional door and window.

See Optional Products p. 242-257 for details.

PALMAKO CABIN BRITTA 19,7 m²

ARTICLE NUMBER: 102262



TREATMENT OPTIONS



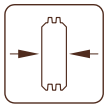
102263
brown dip



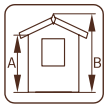
102265
grey dip



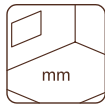
102264
clear white dip



40 mm



A: 205 cm
B: 270 cm



NB! Floor is an optional extra! 19 mm

MODEL SPECIFICATIONS

Log measurements:

500x445 cm

Volume: 46,6 m³

Door/window type: Garden

Door/window glass:

Real glass, 4 mm

Window opening

measurements: 119x89 cm

Door opening

measurements: 151x186 cm

Door sill: low,

covered with stainless steel

Roof boards: 19 mm

Roof area: 30,7 m²

Roof gradient: 14,7°

Gross ground area: 20,4 m²

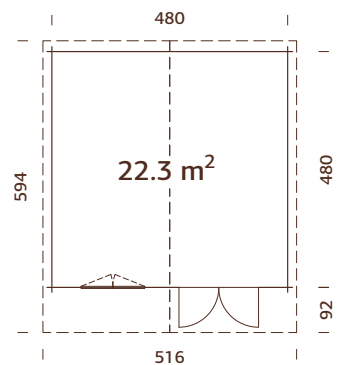
OPTIONAL

Floor, roofing felt (underlayer): 7 rolls, SBS roofing material: 7 rolls, shingles: 12 packs, roofing nails, rain gutters, extension, canopy roof, additional door and window.

See Optional Products p. 242-257 for details.

PALMAKO CABIN BRITTA 22,3 m²

ARTICLE NUMBER: 102266



Strong purlins from laminated wood.

TREATMENT OPTIONS



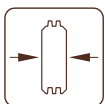
102267
brown dip



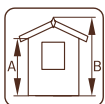
102269
grey dip



102268
clear white dip



40 mm



A: 205 cm
B: 270 cm



NB! Floor is an optional extra! 19 mm

MODEL SPECIFICATIONS

Log measurements:

500x500 cm

Volume: 52,7 m³

Door/window type: Garden

Door/window glass:

Real glass, 4 mm

Window opening

measurements: 119x89 cm

Door opening

measurements: 151x186 cm

Door sill: low, covered with

stainless steel

Roof boards: 19 mm

Roof area: 29,2 m²

Roof gradient: 14,9°

Gross ground area: 23,0 m²

OPTIONAL

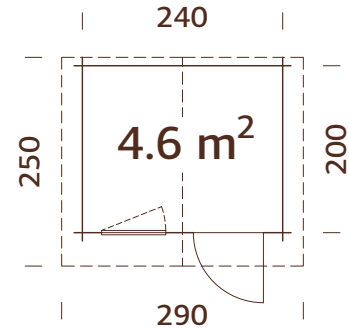
Floor, roofing felt (underlayer): 7 rolls, SBS roofing material: 7 rolls, shingles: 12 packs, roofing nails, rain gutters, extension, canopy roof, additional door and window.

See Optional Products p. 242-257 for details.

PALMAKO CABIN EMMA 4,6 m²

ARTICLE NUMBER: 101797

under
2,5m



MODEL SPECIFICATIONS

Log measurements:

260x220 cm

Volume: 10,2 m³

Door/window type: Garden

Door/window glass:

Real glass, 4 mm

Window opening

measurements: 66x89 cm

Door opening

measurements: 73x175 cm

Door sill: low, covered with stainless steel

Roof boards: 19 mm

Roof area: 7,4 m²

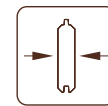
Roof gradient: 13,7°

Gross ground area: 4,8 m²

TREATMENT OPTIONS



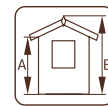
101798
brown dip



28 mm



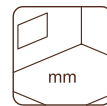
101800
grey dip



A: 194 cm
B: 222 cm



101799
clear white dip



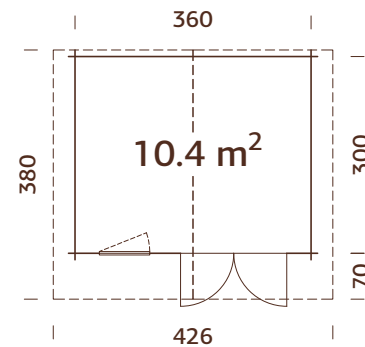
Included
19 mm

OPTIONAL

Roofing felt (underlayer): 2 rolls, SBS roofing material: 2 rolls, shingles: 4 packs, roofing nails, rain gutters, additional door and window. See Optional Products p. 242-257 for details.

PALMAKO CABIN EMMA 10,4 m²

ARTICLE NUMBER: 102033



MODEL SPECIFICATIONS

Log measurements:

380x320 cm

Volume: 23,9 m³

Door/window type: Garden

Door/window glass:

Real glass, 4 mm

Window opening

measurements: 66x89 cm

Door opening

measurements: 151x175 cm

Door sill: low, covered with stainless steel

Roof boards: 19 mm

Roof area: 16,8 m²

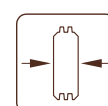
Roof gradient: 16,2°

Gross ground area: 10,8 m²

TREATMENT OPTIONS



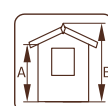
102034
brown dip



34 mm



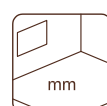
102036
grey dip



A: 205 cm
B: 257 cm



102035
clear white dip



Included
19 mm

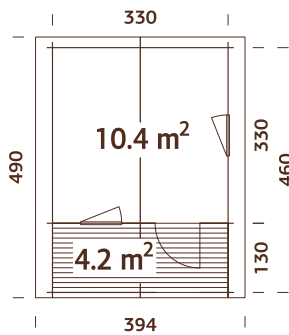
OPTIONAL

Roofing felt (underlayer): 3 rolls, SBS roofing material: 3 rolls, shingles: 7 packs, roofing nails, rain gutters, extension, canopy roof, additional door and window.

See Optional Products p. 242-257 for details.

PALMAKO CABIN EMMA 10,4+4,2 m²

ARTICLE NUMBER: 101885



Terrace boards are treated.
NBI Shutters and terrace included!

TREATMENT OPTIONS



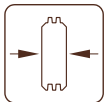
101886
brown dip



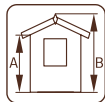
101888
grey dip



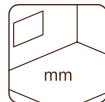
101887
clear white dip



34 mm



A: 205 cm
B: 257 cm



Included
19 mm

MODEL SPECIFICATIONS

Log measurements:

350x350(480) cm

Volume: 24,1 m³

Terrace: 330x130 cm

Door/window type: Garden

Door/window glass:

Real glass, 4 mm

Window opening

measurements: 66x89 cm

Door opening

measurements: 73x175 cm

Door sill: low, covered with

stainless steel

Roof boards: 19 mm

Roof area: 20,0 m²

Roof gradient: 17,6°

Gross ground area

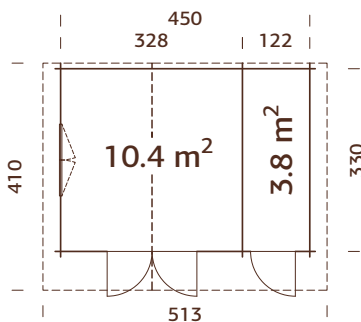
(terrace included): 15,2 m²

OPTIONAL

Roofing felt (underlayer): 5 rolls, SBS roofing material: 5 rolls, shingles: 8 packs, roofing nails, rain gutters, extension, canopy roof, additional door and window. See Optional Products p. 242-257 for details.

PALMAKO CABIN EMMA 14,2 m²

ARTICLE NUMBER: 102339



Can be built in reverse!



TREATMENT OPTIONS



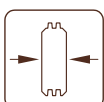
102340
brown dip



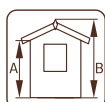
102342
grey dip



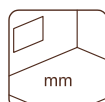
102341
clear white dip



34 mm



A: 205 cm
B: 268 cm



Included
19 mm

MODEL SPECIFICATIONS

Log measurements:

470x350 cm

Volume: 33,0 m³

Door/window type: Garden

Door/window glass:

Real glass, 4 mm

Window opening

measurements: 119x89 cm

Door opening

measurements: 73x164 cm,

151x175 cm

Door sill: low, covered with stainless steel

Roof boards: 19 mm

Roof area: 22,3 m²

Roof gradient: 21,2°; 14,7°

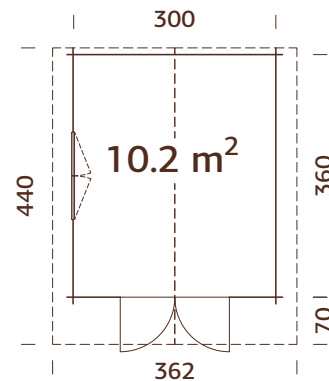
Gross ground area: 14,9 m²

OPTIONAL

Roofing felt (underlayer): 4 rolls, SBS roofing material: 4 rolls, shingles: 9 packs, roofing nails, rain gutters, additional door and window. See Optional Products p. 242-257 for details.

PALMAKO CABIN SALLY 10,2 m²

ARTICLE NUMBER: 102270



Double glazed.

MODEL SPECIFICATIONS

Log measurements:

320x380 cm

Volume: 23,5 m³

Door/window type: Summer

Door/window glass:

Double glass, 3-9-3 mm

Window opening

measurements: 117x87 cm

Door opening

measurements: 151x186 cm

Door sill: low, covered with stainless steel

Roof boards: 19 mm

Roof area: 16,7 m²

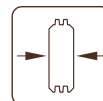
Roof gradient: 19,2°

Gross ground area: 10,8 m²

TREATMENT OPTIONS



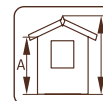
102271
brown dip



44 mm



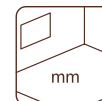
102273
grey dip



A: 205 cm
B: 263 cm



102272
clear white dip



Included
19 mm

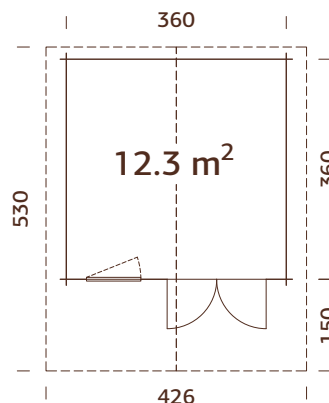
OPTIONAL

Roofing felt (underlayer): 3 rolls, SBS roofing material: 3 rolls, shingles: 7 packs, roofing nails, rain gutters, extension, canopy roof, additional door and window.

See Optional Products p. 242-257 for details.

PALMAKO CABIN SALLY 12,3 m²

ARTICLE NUMBER: 102083



Double glazed.

MODEL SPECIFICATIONS

Log measurements:

380x380 cm

Volume: 28,5 m³

Door/window type: Summer

Door/window glass:

Double glass, 3-9-3 mm

Window opening

measurements: 76x87 cm

Door opening

measurements: 151x186 cm

Door sill: low, covered with stainless steel

Roof boards: 19 mm

Roof area: 23,3 m²

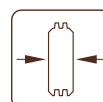
Roof gradient: 16,1°

Gross ground area: 13,0 m²

TREATMENT OPTIONS



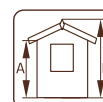
102084
brown dip



44 mm



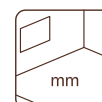
102086
grey dip



A: 205 cm
B: 256 cm



102085
clear white dip



Included
19 mm

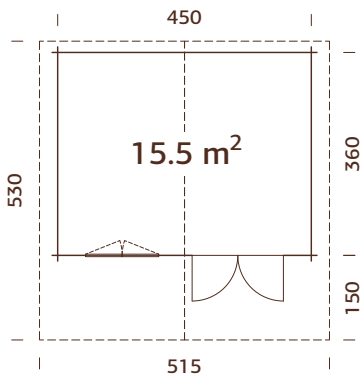
OPTIONAL

Roofing felt (underlayer): 6 rolls, SBS roofing material: 6 rolls, shingles: 9 packs, roofing nails, rain gutters, extension, canopy roof, additional door and window.

See Optional Products p. 242-257 for details.

PALMAKO CABIN SALLY 15,5 m²

ARTICLE NUMBER: 102274



Double glazed.



Scan this QR-code
to see the assembly
of Sally 15,5 m²!

TREATMENT OPTIONS



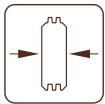
102275
brown dip



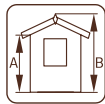
102277
grey dip



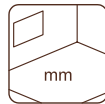
102276
clear white dip



44 mm



A: 205 cm
B: 268 cm



Included
19 mm

MODEL SPECIFICATIONS

Log measurements:

470x380 cm

Volume: 36,6 m³

Door/window type: Summer

Door/window glass:

Double glass, 3-9-3 mm

Window opening

measurements: 117x87 cm

Door opening

measurements: 151x186 cm

Door sill: low, covered with

stainless steel

Roof boards: 19 mm

Roof area: 28,1 m²

Roof gradient: 15,9°

Gross ground area: 16,2 m²

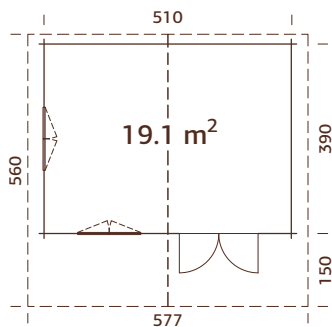
OPTIONAL

Roofing felt (underlayer): 7 rolls, SBS roofing material: 7 rolls, shingles: 11 packs, roofing nails, rain gutters, extension, canopy roof, additional door and window.

See Optional Products p. 242-257 for details.

PALMAKO CABIN SALLY 19,1 m²

ARTICLE NUMBER: 102312



Double glazed.



TREATMENT OPTIONS



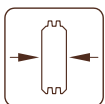
102313
brown dip



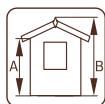
102315
grey dip



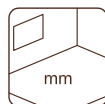
102314
clear white dip



44 mm



A: 205 cm
B: 267 cm



Included
19 mm

MODEL SPECIFICATIONS

Log measurements:

530x410 cm

Volume: 44,9 m³

Door/window type: Summer

Door/window glass:

Double glass, 3-9-3 mm

Window opening

measurements: 117x87 cm

Door opening

measurements: 151x186 cm

Door sill: low, covered with

stainless steel

Roof boards: 19 mm

Roof area: 35,3 m²

Roof gradient: 14,0°

Gross ground area: 19,9 m²

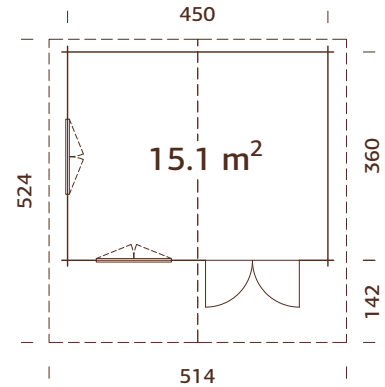
OPTIONAL

Roofing felt (underlayer): 8 rolls, SBS roofing material: 8 rolls, shingles: 13 packs, roofing nails, rain gutters, extension, canopy roof, additional door and window.

See Optional Products p. 242-257 for details.

PALMAKO CABIN HELENA 15,1 m²

ARTICLE NUMBER: 102318



Double glazed.

MODEL SPECIFICATIONS

Log measurements:

470x380 cm

Volume: 37,2 m³

Door/window type: Summer

Door/window glass:

Double glass, 3-9-3 mm

Window opening

measurements: 117x92 cm

Door opening

measurements: 151x183 cm

Door sill: low, covered with stainless steel

Roof boards: 19 mm

Roof area: 27,6 m²

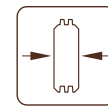
Roof gradient: 15,4°

Gross ground area: 16,2 m²

TREATMENT OPTIONS



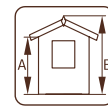
102319
brown dip



70 mm



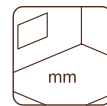
102321
grey dip



A: 216 cm
B: 285 cm



102320
clear white dip



Included
19 mm

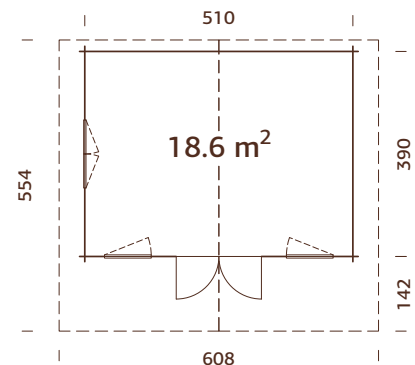
OPTIONAL

Roofing felt (underlayer): 7 rolls, SBS roofing material: 7 rolls, shingles: 11 packs, roofing nails, rain gutters, extension, canopy roof, additional door and window.

See Optional Products p. 242-257 for details.

PALMAKO CABIN HELENA 18,6 m²

ARTICLE NUMBER: 102511



Double glazed.

MODEL SPECIFICATIONS

Log measurements:

530x410 cm

Volume: 47,3 m³

Door/window type: Summer

Door/window glass:

Double glass, 3-9-3 mm

Window opening

measurements: 76x92 cm,

117x92 cm

Door opening

measurements:

151x183 cm

Door sill: low, covered with stainless steel

Roof boards: 19 mm

Roof area: 34,7 m²

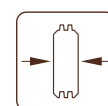
Roof gradient: 16,6°

Gross ground area: 19,9 m²

TREATMENT OPTIONS



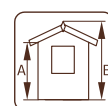
102512
brown dip



70 mm



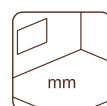
102514
grey dip



A: 216 cm
B: 290 cm



102513
clear white dip



Included
19 mm

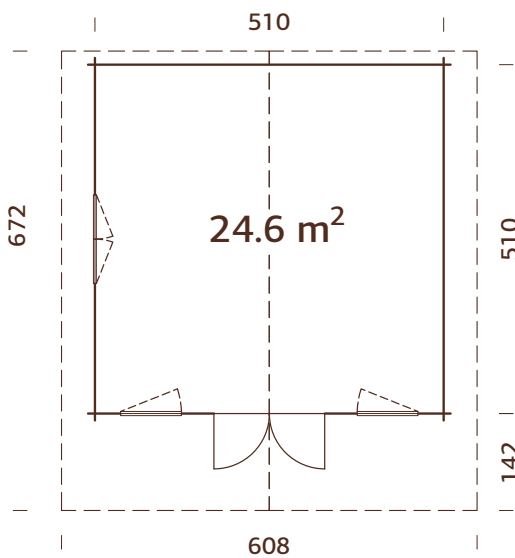
OPTIONAL

Roofing felt (underlayer): 8 rolls, SBS roofing material: 8 rolls, shingles: 13 packs, roofing nails, rain gutters, extension, canopy roof, additional door and window.

See Optional Products p. 242-257 for details.

PALMAKO CABIN HELENA 24,6 m²

ARTICLE NUMBER: 102515



MODEL SPECIFICATIONS

Log measurements: 530x530 cm

Volume: 62,2 m³

Door/window type: Summer

Door/window glass:
Double glass, 3-9-3 mm

Window opening measurements:
76x92 cm, 117x92 cm

Door opening measurements:
151x183

Door sill: low, covered with stainless steel

Roof boards: 19 mm

Roof area: 42,2 m²

Roof gradient: 16,7°

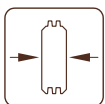
Gross ground area: 26,0 m²

OPTIONAL

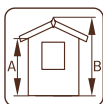
Roofing felt (underlayer): 8 rolls, SBS roofing material: 8 rolls, shingles: 16 packs, roofing nails, rain gutters, extension, canopy roof, additional door and window. See Optional Products p. 242-257 for details.

Double glazed.

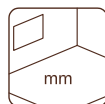
Strong purlins from laminated wood.



70 mm



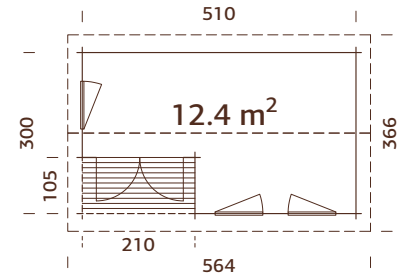
A: 216 cm
B: 290 cm



Included
19 mm

PALMAKO CABIN SUSANNA 12,4 m²

ARTICLE NUMBER: 102465



Double glazed.

Can be built in reverse!

Terrace boards are treated.



MODEL SPECIFICATIONS

Log measurements:

530x320 cm

Volume: 28,6 m³

Terrace: 210x105 cm

Door/window type:

Summer

Door/window glass:

Double glass, 3-9-3 mm

Window opening

measurements: 76x87 cm

Door opening

measurements: 151x186 cm

Door sill: low, covered with stainless steel

Roof boards: 19 mm

Roof area: 21,4 m²

Roof gradient: 18,4°

Gross ground area (terrace included): 15,3 m²

TREATMENT OPTIONS



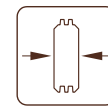
102466
brown dip



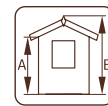
102468
grey dip



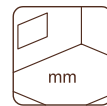
102467
clear white dip



44 mm



A: 205 cm
B: 263 cm



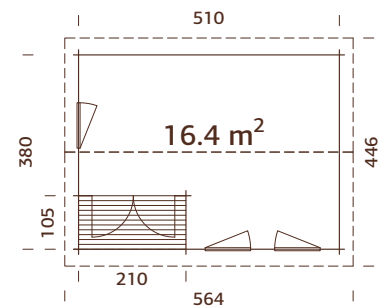
Included
19 mm

OPTIONAL

Roofing felt (underlayer): 5 rolls, SBS roofing material: 5 rolls, shingles: 9 packs, roofing nails, rain gutters, additional door and window. See Optional Products p. 242-257 for details.

PALMAKO CABIN SUSANNA 16,4 m²

ARTICLE NUMBER: 102469



Double glazed.

Can be built in reverse!

Terrace boards are treated.



MODEL SPECIFICATIONS

Log measurements:

530x400 cm

Volume: 37,2 m³

Terrace: 210x105 cm

Door/window type:

Summer

Door/window glass:

Double glass, 3-9-3 mm

Window opening

measurements: 76x87 cm

Door opening

measurements: 151x186 cm

Door sill: low, covered with stainless steel

Roof boards: 19 mm

Roof area: 26,1 m²

Roof gradient: 18,5°

Gross ground area (terrace included): 19,4 m²

TREATMENT OPTIONS



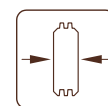
102470
brown dip



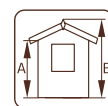
102472
grey dip



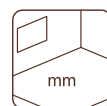
102471
clear white dip



44 mm



A: 205 cm
B: 278 cm



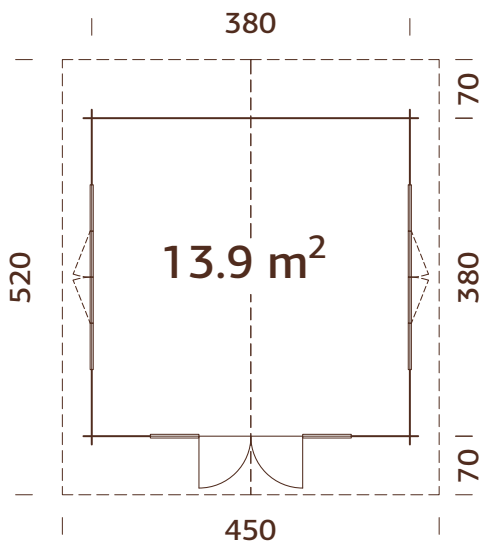
Included
19 mm

OPTIONAL

Roofing felt (underlayer): 6 rolls, SBS roofing material: 6 rolls, shingles: 10 packs, roofing nails, rain gutters, additional door and window. See Optional Products p. 242-257 for details.

PALMAKO CABIN IRENE 13,9 m²

ARTICLE NUMBER: 102331



MODEL SPECIFICATIONS

Log measurements: 400x400 cm

Volume: 32,9 m³

Door/window type: Garden

Window glass:

Real glass, 4 mm

Door glass: Toughened glass, 4 mm

Window opening measurements: 90x134 cm

Door opening measurements:

114x186 cm

Door sill: low, covered with stainless steel

Roof boards: 16 mm

Roof area: 24,4 m²

Roof gradient: 18,6°

Gross ground area: 14,4 m²

OPTIONAL

Roofing felt (underlayer): 4 rolls, SBS roofing material: 4 rolls, shingles: 7 packs, roofing nails, rain gutters, extension, canopy roof, additional door and window. See Optional Products p. 242-257 for details.

Includes polycarbonate sheets.

TREATMENT OPTIONS



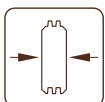
102332
brown dip



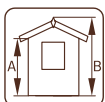
102334
grey dip



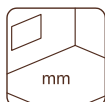
102333
clear white dip



34 mm



A: 205 cm
B: 268 cm

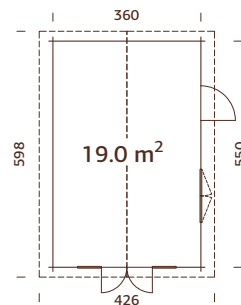


Included
19 mm



PALMAKO CABIN IRENE 19,0 m²

ARTICLE NUMBER: 102351



Double glazed.
Strong purlins from laminated wood.

MODEL SPECIFICATIONS

Log measurements:

380x570 cm

Volume: 45,9 m³

Door/window type: Garden+

Window glass:

Double glass, 3-6-3 mm

Door glass: Double toughened glass, 4-6-4 mm

Window opening measurements: 119x89 cm

Door opening measurements: 73x175 cm, 114x186 cm

Door sill: low, covered with stainless steel

Roof boards: 19 mm

Roof area: 26,3 m²

Roof gradient: 16,3°

Gross ground area: 19,8 m²

OPTIONAL

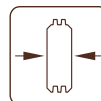
Roofing felt (underlayer): 6 rolls, SBS roofing material: 6 rolls, shingles: 10 packs, roofing nails, rain gutters, extension, canopy roof, additional door and window.

See Optional Products p. 242-257 for details.

TREATMENT OPTIONS



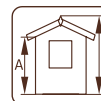
102352
brown dip



44 mm



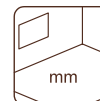
102354
grey dip



A: 217 cm
B: 276 cm



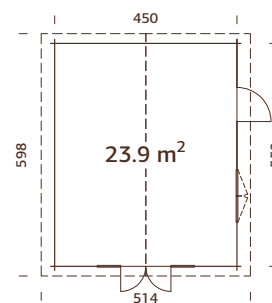
102353
clear white dip



Included
19 mm

PALMAKO CABIN IRENE 23,9 m²

ARTICLE NUMBER: 102367



Double glazed.
Strong purlins from laminated wood.

MODEL SPECIFICATIONS

Log measurements:

470x570 cm

Volume: 59,0 m³

Door/window type: Garden+

Window glass:

Double glass, 3-6-3 mm

Door glass: Double toughened glass, 4-6-4 mm

Window opening measurements: 119x89 cm

Door opening measurements: 73x175 cm, 114x186 cm

Door sill: low, covered with stainless steel

Roof boards: 19 mm

Roof area: 31,7 m²

Roof gradient: 15,9°

Gross ground area: 24,8 m²

OPTIONAL

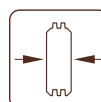
Roofing felt (underlayer): 7 rolls, SBS roofing material: 7 rolls, shingles: 12 packs, roofing nails, rain gutters, extension, canopy roof, additional door and window.

See Optional Products p. 242-257 for details.

TREATMENT OPTIONS



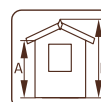
102368
brown dip



44 mm



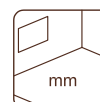
102370
grey dip



A: 217 cm
B: 287 cm



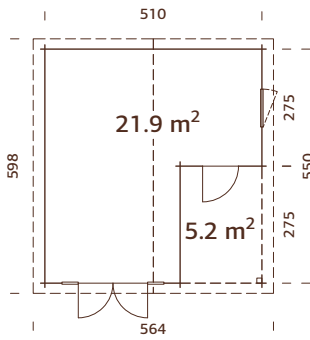
102369
clear white dip



Included
19 mm

PALMAKO CABIN IRENE 21,9+5,2 m²

ARTICLE NUMBER: 102490



Double glazed.
Can be built in reverse!
Strong purlins from laminated wood.



TREATMENT OPTIONS



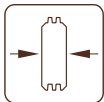
102491
brown dip



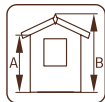
102493
grey dip



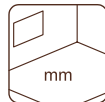
102492
clear white dip



44 mm



A: 228 cm
B: 321 cm



Included
19 mm

MODEL SPECIFICATIONS

Log measurements:

530x570 cm

Volume: 60,0 m³

Door/window type: Garden+

Window glass:

Double glass, 3-6-3 mm

Door glass: Double

toughened glass, 4-6-4 mm

Window opening

measurements: 78x89 cm

Door opening

measurements: 73x175 cm,
114x186 cm

Door sill: low, covered with

stainless steel

Roof boards: 19 mm

Roof area: 35,4 m²

Roof gradient: 18,7°

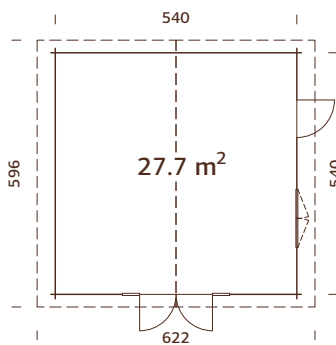
Gross ground area: 28,1 m²

OPTIONAL

Roofing felt (underlayer): 7 rolls, SBS roofing material: 7 rolls, shingles: 14 packs, roofing nails, rain gutters, extension, canopy roof, additional door and window. See Optional Products p. 242-257 for details.

PALMAKO CABIN IRENE 27,7 m²

ARTICLE NUMBER: 102375



Double glazed.
Strong purlins from laminated wood.



TREATMENT OPTIONS



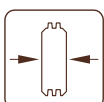
102376
brown dip



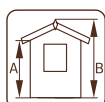
102378
grey dip



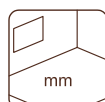
102377
clear white dip



70 mm



A: 230 cm
B: 312 cm



Included
19 mm

MODEL SPECIFICATIONS

Log measurements:

560x560 cm

Volume: 73,9 m³

Door/window type: Summer

Window glass:

Double glass, 3-9-3 mm

Door glass: Double

toughened glass, 4-9-4 mm

Window opening

measurements: 117x92 cm

Door opening

measurements: 73x183 cm,
114x186 cm

Door sill: low, covered with

stainless steel

Roof boards: 19 mm

Roof area: 37,8 m²

Roof gradient: 15,7°

Gross ground area: 29,2 m²

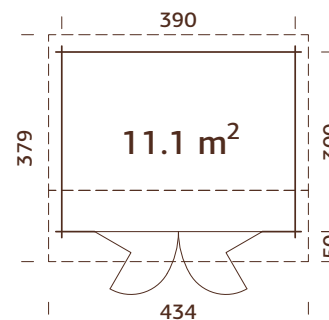
OPTIONAL

Roofing felt (underlayer): 8 rolls, SBS roofing material: 8 rolls, shingles: 14 packs, roofing nails, rain gutters, extension, canopy roof, additional door and window. See Optional Products p. 242-257 for details.

PALMAKO CABIN INES 11,1 m²

ARTICLE NUMBER: 101724

under
2,5m



Bifold doors.
Double glazed.

MODEL SPECIFICATIONS

Log measurements:

410x320 cm

Volume: 25,5 m³

Door/window type: Garden+

Door/window glass: Double toughened glass, 4-6-4 mm

Bi-fold door opening

measurements: 263x184 cm

Door sill: low, covered with stainless steel

Roof boards: 19 mm

Roof area: 16,3 m²

Roof gradient: 8,0°; 8,0°

Gross ground area: 11,7 m²

TREATMENT OPTIONS



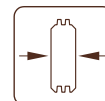
101725
brown dip



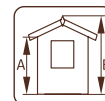
101727
grey dip



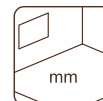
101726
clear white dip



44 mm



A: 211 cm
B: 249 cm



Included
19 mm

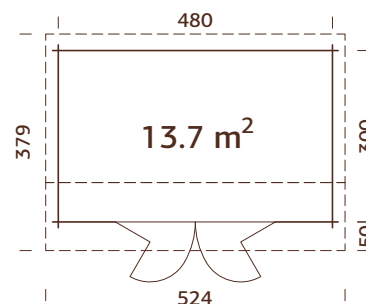
OPTIONAL

Roofing felt (underlayer): 3 rolls, SBS roofing material: 3 rolls, roofing nails, rain gutters, extension, additional door. See Optional Products p. 242-257 for details.

PALMAKO CABIN INES 13,7 m²

ARTICLE NUMBER: 101732

under
2,5m



Bifold doors.
Double glazed.
Strong purlins from laminated wood.

MODEL SPECIFICATIONS

Log measurements:

500x320 cm

Volume: 31,6 m³

Door/window type: Garden+

Door/window glass: Double toughened glass, 4-6-4 mm

Bi-fold door opening

measurements: 263x184 cm

Door sill: low, covered with stainless steel

Roof boards: 19 mm

Roof area: 19,7 m²

Roof gradient: 8,0°; 8,0°

Gross ground area: 14,4 m²

TREATMENT OPTIONS



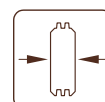
101733
brown dip



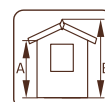
101735
grey dip



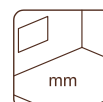
101734
clear white dip



44 mm



A: 211 cm
B: 249 cm



Included
19 mm

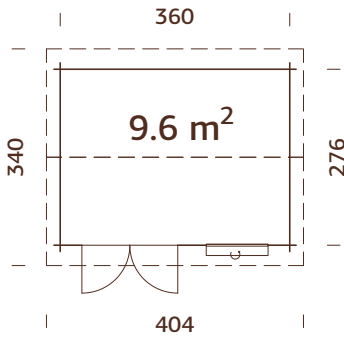
OPTIONAL

Roofing felt (underlayer): 5 rolls, SBS roofing material: 5 rolls, roofing nails, rain gutters, extension, additional door. See Optional Products p. 242-257 for details.

PALMAKO CABIN IRIS 9,6 m²

ARTICLE NUMBER: 101978

under
2,5m



Includes door
and window bars.



TREATMENT OPTIONS



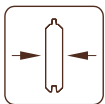
101979
brown dip



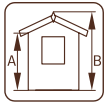
101981
grey dip



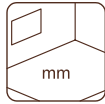
101980
clear white dip



28 mm



A: 211 cm
B: 249 cm



Included
19 mm

MODEL SPECIFICATIONS

Log measurements:

380x296 cm

Volume: 22,2 m³

Door/window type: Garden

Window glass:

Real glass, 4 mm

Door glass: Toughened
glass, 4 mm

Window opening
measurements: 66x111 cm

Door opening
measurements: 151x175 cm

Door sill: low, covered with
stainless steel

Roof boards: 16 mm

Roof area: 14,0 m²

Roof gradient: 16,2°

Gross ground area: 9,9 m²

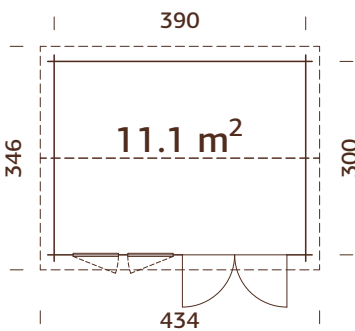
OPTIONAL

Roofing felt (underlayer): 3 rolls, SBS roofing material: 3 rolls, shingles: 6 packs, roofing nails, rain gutters, additional door and window. See Optional Products p. 242-257 for details.

PALMAKO CABIN IRIS 11,1 m²

ARTICLE NUMBER: 102185

under
2,5m



Double glazed.
Includes door
and window bars.



TREATMENT OPTIONS



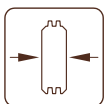
102186
brown dip



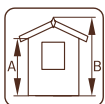
102188
grey dip



102187
clear white dip



44 mm



A: 211 cm
B: 245 cm



Included
19 mm

MODEL SPECIFICATIONS

Log measurements:

410x320 cm

Volume: 25,3 m³

Door/window type: Garden+

Window glass:

Double glass, 3-6-3 mm

Door glass: Double
toughened glass, 4-6-4 mm

Window opening
measurements: 60x111 cm

Door opening
measurements: 151x175 cm

Door sill: low, covered with
stainless steel

Roof boards: 19 mm

Roof area: 15,1 m²

Roof gradient: 13,2°

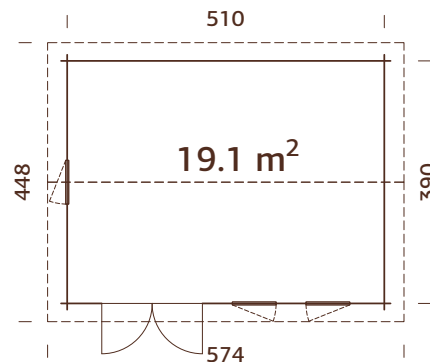
Gross ground area: 11,7 m²

OPTIONAL

Roofing felt (underlayer): 3 rolls, SBS roofing material: 3 rolls, roofing nails, rain gutters, extension, canopy roof, additional door and window. See Optional Products p. 242-257 for details.

PALMAKO CABIN IRIS 19,1 m²

ARTICLE NUMBER: 102214



Double glazed.
Strong purlins from laminated wood.
Includes door and window bars.



MODEL SPECIFICATIONS

Log measurements:

530x410 cm

Volume: 45,2 m³

Door/window type: Garden+

Window glass:

Double glass, 3-6-3 mm

Door glass: Double

toughened glass, 4-6-4 mm

Window opening

measurements: 60x111 cm

Door opening

measurements: 151x175 cm

Door sill: low, covered with stainless steel

Roof boards: 19 mm

Roof area: 26,2 m²

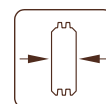
Roof gradient: 15,1°

Gross ground area: 19,9 m²

TREATMENT OPTIONS



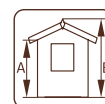
102215
brown dip



44 mm



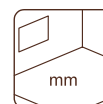
102217
grey dip



A: 211 cm
B: 262 cm



102216
clear white dip



Included
19 mm

OPTIONAL

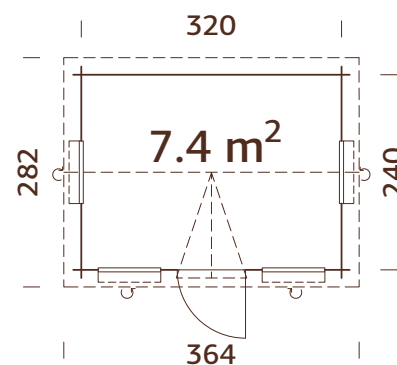
Roofing felt (underlayer): 6 rolls, SBS roofing material: 6 rolls, shingles: 11 packs, roofing nails, rain gutters, extension, canopy roof, additional door and window.

See Optional Products p. 242-257 for details.

PALMAKO CABIN CLAUDIA 7,4 m²

ARTICLE NUMBER: 101753

under
2,5m



MODEL SPECIFICATIONS

Log measurements:

340x260 cm

Volume: 16,6 m³

Door/window type: Garden

Window glass:

Real glass, 4 mm

Door glass: Toughened glass, 4 mm

Window opening

measurements: 66x111 cm

Door opening

measurements: 73x181 cm

Door sill: low, covered with stainless steel

Roof boards: 19 mm

Roof area: 11,4 m²

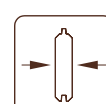
Roof gradient: 18,5°

Gross ground area: 7,7 m²

TREATMENT OPTIONS



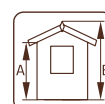
101754
brown dip



28 mm



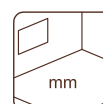
101756
grey dip



A: 205 cm
B: 249 cm



101755
clear white dip



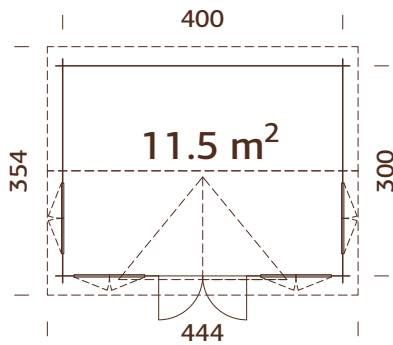
Included
19 mm

OPTIONAL

Roofing felt (underlayer): 2 rolls, SBS roofing material: 2 rolls, shingles: 6 packs, roofing nails, rain gutters, extension, canopy roof, additional door and window. See Optional Products p. 242-257 for details.

PALMAKO CABIN CLAUDIA 11,5 m²

ARTICLE NUMBER: 102519



TREATMENT OPTIONS



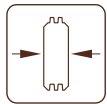
102520
brown dip



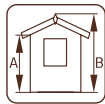
102522
grey dip



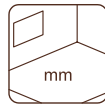
102521
clear white dip



34 mm



A: 234 cm
B: 347 cm



Included
19 mm

MODEL SPECIFICATIONS

Log measurements:

420x320 cm

Volume: 32,9 m³

Door/window type: Garden

Window glass:

Real glass, 4 mm

Door glass: Toughened glass, 4 mm

Window opening measurements: 90x123 cm

Door opening measurements: 114x186 cm

Door sill: low, covered with stainless steel

Roof boards: 19 mm

Roof area: 21,0 m²

Roof gradient: 35,2°

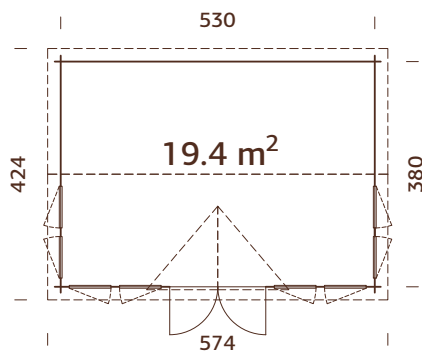
Gross ground area: 12,0 m²

OPTIONAL

Roofing felt (underlayer): 3 rolls, SBS roofing material: 3 rolls, shingles: 9 packs, roofing nails, rain gutters, extension, canopy roof, additional door and window. See Optional Products p. 242-257 for details.

PALMAKO CABIN CLAUDIA 19,4 m²

ARTICLE NUMBER: 102387



Double glazed.

TREATMENT OPTIONS



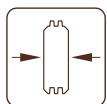
102388
brown dip



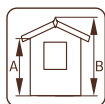
102390
grey dip



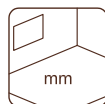
102389
clear white dip



44 mm



A: 222 cm
B: 363 cm



Included
19 mm

MODEL SPECIFICATIONS

Log measurements:

550x400 cm

Volume: 55,6 m³

Door/window type: Garden+

Window glass:

Double glass, 3-6-3 mm

Door glass: Double toughened glass, 4-6-4 mm

Window opening measurements: 60x111 cm

Door opening measurements: 151x175 cm

Door sill: low, covered with stainless steel

Roof boards: 19 mm

Roof area: 29,6 m²

Roof gradient: 35,2°

Gross ground area: 20,1 m²

OPTIONAL

Roofing felt (underlayer): 7 rolls, SBS roofing material: 7 rolls, shingles: 12 packs, roofing nails, rain gutters, extension, canopy roof, additional door and window. See Optional Products p. 242-257 for details.

OPTIONAL PRODUCTS

SEE OPTIONAL PRODUCTS, PAGES 242-257

House	Art. No.	Floor ¹	Roofing felt, rolls	SBS roofing material, rolls	Shingles ² , packs	Roofing nails, 1 kg	Rain gutters	Extension	Canopy roof	Additional door	Additional window
Tina 7,5 m ²	108200	108230			Incl.					109090	
Tina 10,4 m ²	107933	108234			Incl.					109090	
Tina 13,5 m ²	108214	108238			Incl.					109090	
Vivian 3,8 m ²	101314		107210, 1 roll	107214, 1 roll	3 packs	107930	106629		103168	103604	
Vivian 6,9 m ²	101523		107210, 2 rolls	107214, 2 rolls	5 packs	107930	106629		103168	103534	
Lotta 7,3 m ²	101482	102971	107210, 3 rolls	107214, 3 rolls	5 packs	107930	106630	102801	103168	103534	
Lotta 10,0 m ²	101646	102986	107210, 3 rolls	107214, 3 rolls	6 packs	107930	106631		103168	106860	
Lotta 13,9 m ²	101694	103030	107210, 3 rolls	107214, 3 rolls	8 packs	107930	106631		103168	106860	
Klara 4,7 m ²	101827	102975	107210, 2 rolls	107214, 2 rolls	4 packs	107930	106629		103168	107035	100038
Klara 10,4 m ²	101990	103011	107210, 3 rolls	107214, 3 rolls	6 packs	107930	106630	102801	103168	106829	100038
Klara 17,0 m ²	102130	103062	107210, 4 rolls	107214, 4 rolls	10 packs	107930	106631		103168	106829	100038, 100036
Valentine 4,7 m ²	109452	109456	107210, 2 rolls	107214, 2 rolls	4 packs	107930	106629		103168	109541	
Valentine 6,1 m ²	109454	109522	107210, 2 rolls	107214, 2 rolls	4 packs	107930	106629	102801	103168	109541	
Valentine 9,0 m ²	109458	109518	107210, 2 rolls	107214, 2 rolls	6 packs	107930	106630	102801	103168	109541	
Valentine 11,0 m ²	109527	109520	107210, 4 rolls	107214, 4 rolls	7 packs	107930	106630	102801	103168	109541	109551
Britta 14,6 m ²	102072	103038	107210, 7 rolls	107214, 7 rolls	10 packs	107930	106632	102801	103168	106864	100082
Britta 17,5 m ²	102252	103050	107210, 7 rolls	107214, 7 rolls	11 packs	107930	106632	102801	103168	106864	103494
Britta 19,7 m ²	102262	103066	107210, 7 rolls	107214, 7 rolls	12 packs	107930	106632	102801	103168	106864	103494
Britta 22,3 m ²	102266	103070	107210, 7 rolls	107214, 7 rolls	12 packs	107930	106632	102801	103168	106864	103494
Emma 4,6 m ²	101797		107210, 2 rolls	107214, 2 rolls	4 packs	107930	106629		103168	103604	103320
Emma 10,4 m ²	102033		107210, 3 rolls	107214, 3 rolls	7 packs	107930	106630	102801	103168	103551	103348
Emma 10,4+4,2 m ²	101885		107210, 5 rolls	107214, 5 rolls	8 packs	107930	106631	102801	103168	109098	103348
Emma 14,2 m ²	102339		107210, 4 rolls	107214, 4 rolls	9 packs	107930	106631		103168	107046, 105551	103490

¹ Includes treated joists. ² Shingles are available in different colours - 107180 = Black, 107182 = Red, 107183 = Green, 107181 = Brown. The article number is indicated to untreated items, for treated items ask our sales team.

OPTIONAL PRODUCTS

SEE OPTIONAL PRODUCTS, PAGES 242-257

House	Art. No.	Floor ¹	Roofing felt, rolls	SBS roofing material, Shingles ² , packs	Roofing nails, 1 kg	Rain gutters	Extension	Canopy roof	Additional door	Additional window
Sally 10,2 m ²	102270		107210, 3 rolls	7 packs	107930	106631	102801	103168	103567	103502
Sally 12,3 m ²	102083		107210, 6 rolls	9 packs	107930	106632	102801	103168	103567	103352
Sally 15,5 m ²	102274		107210, 7 rolls	11 packs	107930	106632	102801	103168	103567	103502
Sally 19,1 m ²	102312		107210, 8 rolls	13 packs	107930	106632	102801	103168	103567	103502
Helena 15,1 m ²	102318		107210, 7 rolls	11 packs	107930	106632	102801	103168	103579	103506
Helena 18,6 m ²	102511		107210, 8 rolls	13 packs	107930	106632	102801	103168	103579	103364, 100178, 103506
Helena 24,6 m ²	102515		107210, 8 rolls	16 packs	107930	2 x 106630	102801	103168	103579	103364, 100178, 103506
Susanna 12,4 m ²	102465		107210, 5 rolls	9 packs	107930	106632		106867	106867	100146, 100145
Susanna 16,4 m ²	102469		107210, 6 rolls	10 packs	107930	106632		106867	106867	100146, 100145
Irene 13,9 m ²	102331		107210, 4 rolls	7 packs	107930	106632	102801	103168	106863	106680
Irene 19,0 m ²	102351		107210, 6 rolls	10 packs	107930	106632	102801	103168	107060, 103559	106690
Irene 23,9 m ²	102367		107210, 7 rolls	12 packs	107930	106632	102801	103168	107060, 103559	106690
Irene 21,9+5,2 m ²	102490		107210, 7 rolls	14 packs	107930	106632	102801	103168	107060, 103559	100095
Irene 27,7 m ²	102375		107210, 8 rolls	14 packs	107930	106632	102801	103168	107105, 103591	106715
Irene 11,1 m ²	101724		107210, 3 rolls		107930	106631	102801		108554	
Irene 13,7 m ²	101732		107210, 5 rolls		107930	106632	102801		108554	
Irene 9,6 m ²	101978		107210, 3 rolls	6 packs	107930	106630			103530	100028
Irene 11,1 m ²	102185		107210, 3 rolls		107930	106631	102801	103168	103571	103356, 103360
Irene 19,1 m ²	102214		107210, 6 rolls	11 packs	107930	106632	102801	103168	103571	103356, 103360
Claudia 7,4 m ²	101753		107210, 2 rolls	6 packs	107930	106630	102801	103168	107034	100028
Claudia 11,5 m ²	102519		107210, 3 rolls	9 packs	107930	106631	102801	103168	103543	100028
Claudia 19,4 m ²	102387		107210, 7 rolls	12 packs	107930	106632	102801	103168	103571	103356, 103360

¹ Includes treated joists. ² Shingles are available in different colours - 107180 = Black, 107182 = Red, 107183 = Green, 107181 = Brown. The article number is indicated to untreated items, for treated items ask our sales team.





CABINS

Flat roof



PALMAKO CABIN
LARA 6,0 m²



PALMAKO CABIN
LARA 6,0+5,9 m²



PALMAKO CABIN
LARA 8,4 m²



PALMAKO CABIN
LARA 8,4+5,9 m²



PALMAKO CABIN
LARA 12,7 m²



PALMAKO CABIN
ELSA 9,6 m²



PALMAKO CABIN
ELSA 9,6+8,1 m²



PALMAKO CABIN
ELSA 11,3 m²



PALMAKO CABIN
ELSA 11,3+8,1 m²



PALMAKO CABIN
ELLA 6,9 m²



PALMAKO CABIN
ELLA 6,9+8,2 m²



PALMAKO CABIN
ELLA 6,9+10,0 m²



PALMAKO CABIN
ELLA 8,7 m²



PALMAKO CABIN
ELLA 8,7+8,2 m²



PALMAKO CABIN
ELLA 8,7+10,0 m²



PALMAKO CABIN
ELLA 13,1 m²



PALMAKO CABIN
ELLA 13,1+3,9 m²



PALMAKO CABIN
BRET 14,8 m²



PALMAKO CABIN
BRET 19,9 m²



PALMAKO CABIN
CAROLINE 10,2 m²



PALMAKO CABIN
CAROLINE 14,5 m²



PALMAKO CABIN
CAROLINE 20,2 m²



PALMAKO CABIN
LEA 14,2 m²



PALMAKO CABIN
LEA 19,4 m²



PALMAKO CABIN
LISA 11,5 m²



PALMAKO CABIN
LISA 14,2 m²



PALMAKO CABIN
LISA 19,4 m²



PALMAKO CABIN
HEIDI 11,7 m²



PALMAKO CABIN
HEIDI 19,7 m²

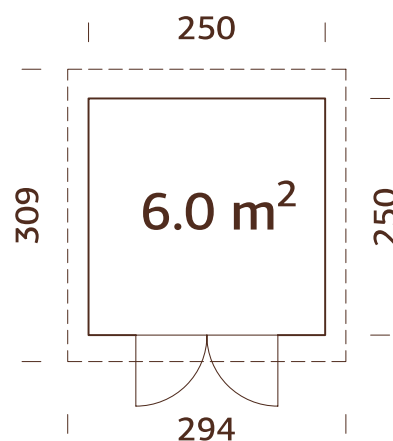


PALMAKO CABIN
HEIDI 22,8 m²

PALMAKO CABIN LARA 6,0 m²

ARTICLE NUMBER: 101430

under 2,5m



MODEL SPECIFICATIONS

Wall measurements:

250x250 cm

Volume: 12,8 m³

Door/window type: Garden

Door/window glass:

Real glass, 4 mm

Door opening

measurements: 140x180 cm

Door sill: low, covered with

stainless steel

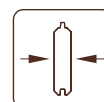
Roof boards: 16 mm

Roof area: 9,0 m²

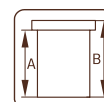
Roof gradient: 1,0°

Gross ground area: 6,3 m²

Modern corner connection.

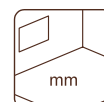


28 mm



A: 197 cm

B: 221 cm



NB! Floor is an optional extra! 19 mm

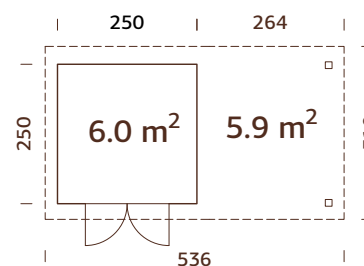
OPTIONAL

Floor, roofing felt (underlayer): 2 rolls, SBS roofing material: 2 rolls, roofing nails, EPDM, rain gutters, canopy roof, additional door and window. See Optional Products p. 242-257 for details.

PALMAKO CABIN LARA 6,0+5,9 m²

ARTICLE NUMBER: 101587

under 2,5m



MODEL SPECIFICATIONS

Wall measurements:

487x250 cm

Volume: 12,8+12,4 m³

Door/window type: Garden

Door/window glass:

Real glass, 4 mm

Door opening

measurements: 140x180 cm

Door sill: low, covered with

stainless steel

Roof boards: 16 mm

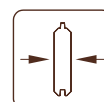
Roof area: 15,2 m²

Roof gradient: 1,0°

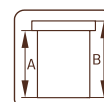
Gross ground area: 12,2 m²

Can be built in reverse!

Modern corner connection.

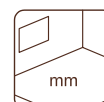


28 mm



A: 197 cm

B: 221 cm



NB! Floor is an optional extra! 19 mm

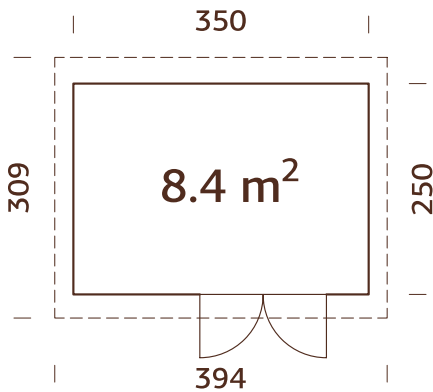
OPTIONAL

Floor, roofing felt (underlayer): 5 rolls, SBS roofing material: 5 rolls, roofing nails, EPDM, rain gutters, canopy roof, additional door and window. See Optional Products p. 242-257 for details.

PALMAKO CABIN LARA 8,4 m²

ARTICLE NUMBER: 101547

under
2,5m



Modern corner connection.

MODEL SPECIFICATIONS

Wall measurements:

350x250 cm

Volume: 18,0 m³

Door/window type: Garden

Door/window glass:

Real glass, 4 mm

Door opening

measurements: 140x180 cm

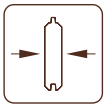
Door sill: low, covered with stainless steel

Roof boards: 16 mm

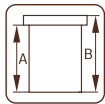
Roof area: 12,2 m²

Roof gradient: 1,0°

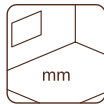
Gross ground area: 8,8 m²



28 mm



A: 197 cm
B: 221 cm



NB! Floor is an optional extra! 19 mm

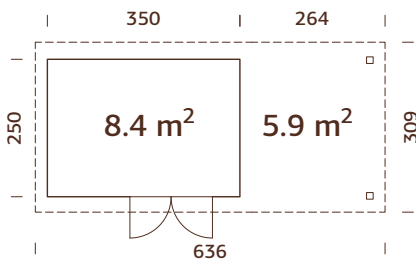
OPTIONAL

Floor, roofing felt (underlayer): 2 rolls, SBS roofing material: 2 rolls, roofing nails, EPDM, rain gutters, canopy roof, additional door and window. See Optional Products p. 242-257 for details.

PALMAKO CABIN LARA 8,4+5,9 m²

ARTICLE NUMBER: 101603

under
2,5m



Can be built in reverse!

Modern corner connection.

MODEL SPECIFICATIONS

Wall measurements:

587x250 cm

Volume: 18,0+12,4 m³

Door/window type: Garden

Door/window glass:

Real glass, 4 mm

Door opening

measurements: 140x180 cm

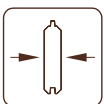
Door sill: low, covered with stainless steel

Roof boards: 16 mm

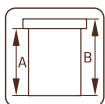
Roof area: 18,1 m²

Roof gradient: 1,0°

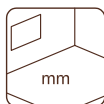
Gross ground area: 14,7 m²



28 mm



A: 197 cm
B: 221 cm



NB! Floor is an optional extra! 19 mm

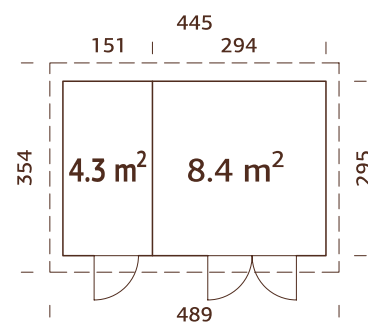
OPTIONAL

Floor, roofing felt (underlayer): 5 rolls, SBS roofing material: 5 rolls, roofing nails, EPDM, rain gutters, canopy roof, additional door and window. See Optional Products p. 242-257 for details.

PALMAKO CABIN LARA 12,7 m²

ARTICLE NUMBER: 101329

under
2,5m



MODEL SPECIFICATIONS

Wall measurements:

445x295 cm

Volume: 27,2 m³

Door/window type: Garden

Door/window glass:

Real glass, 4 mm

Door opening

measurements: 73x180 cm,

140x180 cm

Door sill: low, covered with

stainless steel

Roof boards: 16 mm

Roof area: 17,3 m²

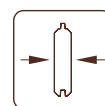
Roof gradient: 1,0°

Gross ground area: 13,1 m²

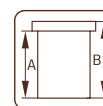
Modern corner connection.

OPTIONAL

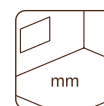
Floor, roofing felt (underlayer): 3 rolls, SBS roofing material: 3 rolls, roofing nails, EPDM, rain gutters, canopy roof, additional door and window. See Optional Products p. 242-257 for details.



28 mm



A: 197 cm
B: 221 cm

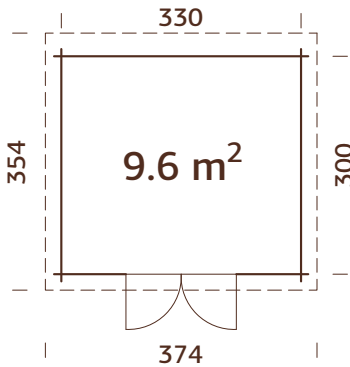


NB! Floor is an optional extra! 19 mm

PALMAKO CABIN ELSA 9,6 m²

ARTICLE NUMBER: 101552

under
2,5m



TREATMENT OPTIONS



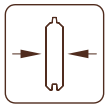
101553
brown dip



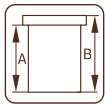
101555
grey dip



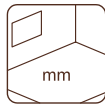
101554
clear white dip



28 mm



A: 211 cm
B: 221 cm



NB! Floor is an optional extra! 19 mm

MODEL SPECIFICATIONS

Log measurements:

350x320 cm

Volume: 20,4 m³

Door/window type: Garden

Door/window glass:

Real glass, 4 mm

Door opening

measurements: 140x180 cm

Door sill: low, covered with stainless steel

Roof boards: 19 mm

Roof area: 13,2 m²

Roof gradient: 0,9°

Gross ground area: 9,9 m²

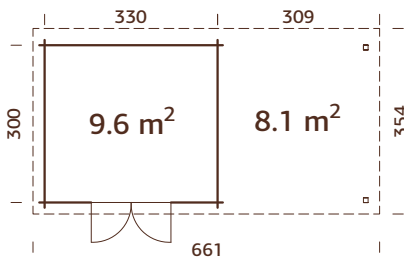
OPTIONAL

Floor, roofing felt (underlayer): 3 rolls, SBS roofing material: 3 rolls, roofing nails, EPDM, rain gutters, canopy roof, additional door and window. See Optional Products p. 242-257 for details.

PALMAKO CABIN ELSA 9,6+8,1 m²

ARTICLE NUMBER: 101619

under
2,5m



Can be built in reverse!



TREATMENT OPTIONS



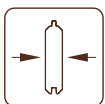
101620
brown dip



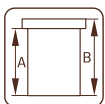
101622
grey dip



101621
clear white dip



28 mm



A: 211 cm
B: 221 cm



NB! Floor is an optional extra! 19 mm

MODEL SPECIFICATIONS

Log measurements:

637x320 cm

Volume: 20,4+17,0 m³

Door/window type: Garden

Door/window glass:

Real glass, 4 mm

Door opening

measurements: 140x180 cm

Door sill: low, covered with stainless steel

Roof boards: 19 mm

Roof area: 23,4 m²

Roof gradient: 0,9°

Gross ground area: 18,5 m²

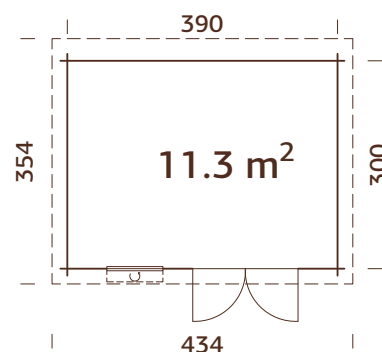
OPTIONAL

Floor, roofing felt (underlayer): 5 rolls, SBS roofing material: 5 rolls, roofing nails, EPDM, rain gutters, canopy roof, additional door and window. See Optional Products p. 242-257 for details.

PALMAKO CABIN ELSA 11,3 m²

ARTICLE NUMBER: 102006

under
2,5m



MODEL SPECIFICATIONS

Log measurements:

410x320 cm

Volume: 24,2 m³

Door/window type: Garden

Door/window glass:

Real glass, 4 mm

Window opening

measurements: 70x43 cm

Door opening

measurements: 140x180 cm

Door sill: low, covered with stainless steel

Roof boards: 19 mm

Roof area: 15,4 m²

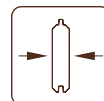
Roof gradient: 0,9°

Gross ground area: 11,7 m²

TREATMENT OPTIONS



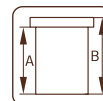
102007
brown dip



28 mm



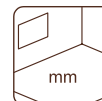
102009
grey dip



A: 211 cm
B: 221 cm



102008
clear white dip



NB! Floor is an optional extra! 19 mm

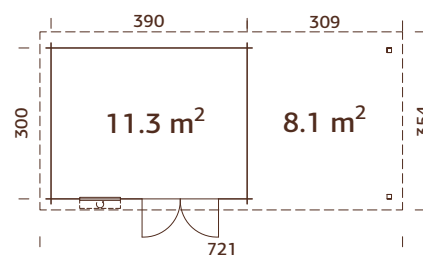
OPTIONAL

Floor, roofing felt (underlayer): 3 rolls, SBS roofing material: 3 rolls, roofing nails, EPDM, rain gutters, canopy roof, additional door and window. See Optional Products p. 242-257 for details.

PALMAKO CABIN ELSA 11,3+8,1 m²

ARTICLE NUMBER: 102014

under
2,5m



Can be built in reverse!

MODEL SPECIFICATIONS

Log measurements:

697x320 cm

Volume: 24,2+17,0 m³

Door/window type: Garden

Door/window glass:

Real glass, 4 mm

Window opening

measurements: 70x43 cm

Door opening

measurements: 140x180 cm

Door sill: low, covered with stainless steel

Roof boards: 19 mm

Roof area: 25,5 m²

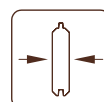
Roof gradient: 0,9°

Gross ground area: 20,3 m²

TREATMENT OPTIONS



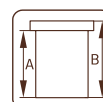
102015
brown dip



28 mm



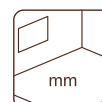
102017
grey dip



A: 211 cm
B: 221 cm



102016
clear white dip



NB! Floor is an optional extra! 19 mm

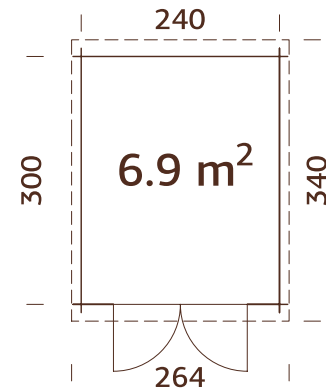
OPTIONAL

Floor, roofing felt (underlayer): 5 rolls, SBS roofing material: 5 rolls, roofing nails, EPDM, rain gutters, canopy roof, additional door and window. See Optional Products p. 242-257 for details.

PALMAKO CABIN ELLA 6,9 m²

ARTICLE NUMBER: 101453

under
2,5m



MODEL SPECIFICATIONS

Log measurements:

260x320 cm

Volume: 14,2 m³

Door/window type: Garden

Door glass: Toughened glass, 4 mm

Door opening

measurements: 151x175 cm

Door sill: low, covered with stainless steel

Roof boards: 19 mm

Roof area: 8,7 m²

Roof gradient: 2,2°

Gross ground area: 7,2 m²

TREATMENT OPTIONS



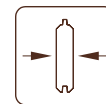
101454
brown dip



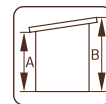
101456
grey dip



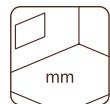
101455
clear white dip



28 mm



A: 199 cm
B: 214 cm



NB! Floor is an optional extra! 19 mm

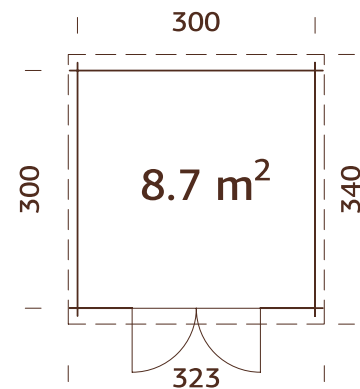
OPTIONAL

Floor, roofing felt (underlayer): 2 rolls, SBS roofing material: 2 rolls, roofing nails, EPDM, rain gutters, additional door. See Optional Products p. 242-257 for details.

PALMAKO CABIN ELLA 8,7 m²

ARTICLE NUMBER: 101543

under
2,5m



MODEL SPECIFICATIONS

Log measurements:

320x320 cm

Volume: 17,8 m³

Door/window type: Garden

Door glass: Toughened glass, 4 mm

Door opening

measurements: 151x175 cm

Door sill: low, covered with stainless steel

Roof boards: 19 mm

Roof area: 10,8 m²

Roof gradient: 2,2°

Gross ground area: 9,0 m²

TREATMENT OPTIONS



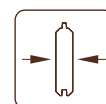
101544
brown dip



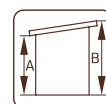
101546
grey dip



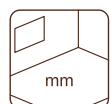
101545
clear white dip



28 mm



A: 199 cm
B: 214 cm



NB! Floor is an optional extra! 19 mm

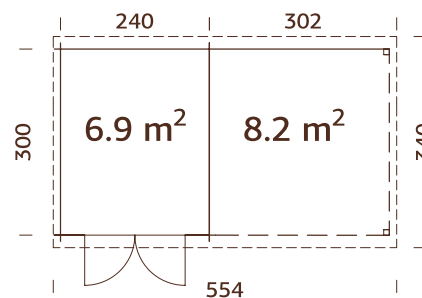
OPTIONAL

Floor, roofing felt (underlayer): 3 rolls, SBS roofing material: 3 rolls, roofing nails, EPDM, rain gutters, additional door. See Optional Products p. 242-257 for details.

PALMAKO CABIN ELLA 6,9+8,2 m²

ARTICLE NUMBER: 101595

under
2,5m



Can be built in reverse!

MODEL SPECIFICATIONS

Log measurements:

550x320 cm

Volume: 14,2+16,6 m³

Door/window type: Garden

Door glass: Toughened glass, 4 mm

Door opening

measurements: 151x175 cm

Door sill: low, covered with stainless steel

Roof boards: 19 mm

Roof area: 18,5 m²

Roof gradient: 2,2°

Gross ground area: 15,9 m²

TREATMENT OPTIONS



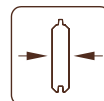
101596
brown dip



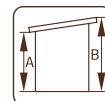
101598
grey dip



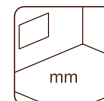
101597
clear white dip



28 mm



A: 199 cm
B: 214 cm



NB! Floor is an optional extra! 19 mm

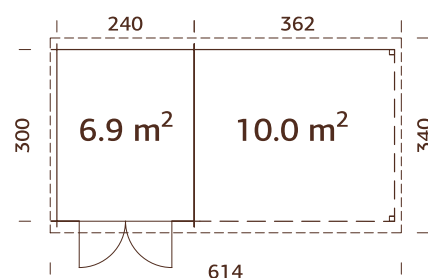
OPTIONAL

Floor, roofing felt (underlayer): 5 rolls, SBS roofing material: 5 rolls, roofing nails, EPDM, rain gutters, additional door. See Optional Products p. 242-257 for details.

PALMAKO CABIN ELLA 6,9+10,0 m²

ARTICLE NUMBER: 101607

under
2,5m



Can be built in reverse!

MODEL SPECIFICATIONS

Log measurements:

610x320 cm

Volume: 14,2+19,9 m³

Door/window type: Garden

Door glass: Toughened glass, 4 mm

Door opening

measurements: 151x175 cm

Door sill: low, covered with stainless steel

Roof boards: 19 mm

Roof area: 20,5 m²

Roof gradient: 2,2°

Gross ground area: 17,7 m²

TREATMENT OPTIONS



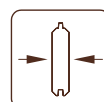
101608
brown dip



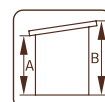
101610
grey dip



101609
clear white dip



28 mm



A: 199 cm
B: 214 cm



NB! Floor is an optional extra! 19 mm

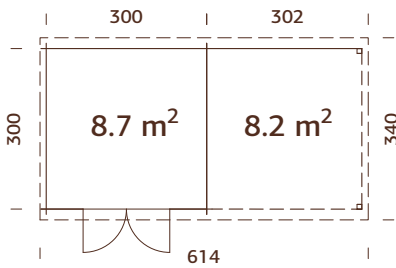
OPTIONAL

Floor, roofing felt (underlayer): 5 rolls, SBS roofing material: 5 rolls, roofing nails, EPDM, rain gutters, additional door. See Optional Products p. 242-257 for details.

PALMAKO CABIN ELLA 8,7+8,2 m²

ARTICLE NUMBER: 101611

under
2,5m



Can be built in reverse!



TREATMENT OPTIONS



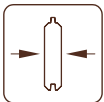
101612
brown dip



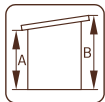
101614
grey dip



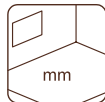
101613
clear white dip



28 mm



A: 199 cm
B: 214 cm



NB! Floor is an optional extra! 19 mm

MODEL SPECIFICATIONS

Log measurements:

610x320 cm

Volume: 17,8+16,6 m³

Door/window type: Garden

Door glass: Toughened glass, 4 mm

Door opening

measurements: 151x175 cm

Door sill: low, covered with stainless steel

Roof boards: 19 mm

Roof area: 20,5 m²

Roof gradient: 2,2°

Gross ground area: 17,7 m²

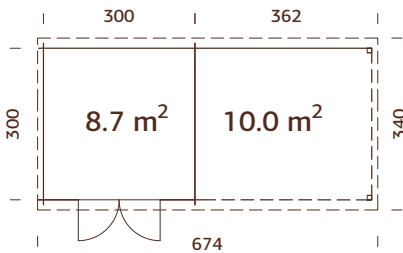
OPTIONAL

Floor, roofing felt (underlayer): 5 rolls, SBS roofing material: 5 rolls, roofing nails, EPDM, rain gutters, additional door. See Optional Products p. 242-257 for details.

PALMAKO CABIN ELLA 8,7+10,0 m²

ARTICLE NUMBER: 101623

under
2,5m



Can be built in reverse!



TREATMENT OPTIONS



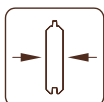
101624
brown dip



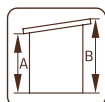
101626
grey dip



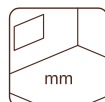
101625
clear white dip



28 mm



A: 199 cm
B: 214 cm



NB! Floor is an optional extra! 19 mm

MODEL SPECIFICATIONS

Log measurements:

670x320 cm

Volume: 17,8+19,9 m³

Door/window type: Garden

Door glass: Toughened glass, 4 mm

Door opening

measurements: 151x175 cm

Door sill: low, covered with stainless steel

Roof boards: 19 mm

Roof area: 22,5 m²

Roof gradient: 2,2°

Gross ground area: 19,5 m²

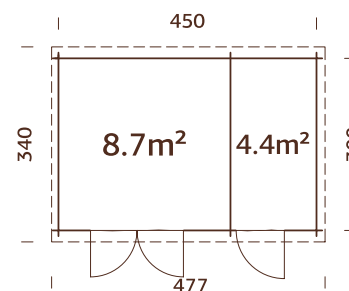
OPTIONAL

Floor, roofing felt (underlayer): 5 rolls, SBS roofing material: 5 rolls, roofing nails, EPDM, rain gutters, additional door. See Optional Products p. 242-257 for details.

PALMAKO CABIN ELLA 13,1 m²

ARTICLE NUMBER: 108218

under
2,5m



MODEL SPECIFICATIONS

Log measurements:

470x320 cm

Volume: 26,8 m³

Door/window type: Garden

Door glass: Toughened glass, 4 mm

Door opening

measurements: 73x175,
151x175 cm

Door sill: low, covered with stainless steel

Roof boards: 19 mm

Roof area: 15,8 m²

Roof gradient: 2,2°

Gross ground area: 13,5 m²

OPTIONAL

Floor, roofing felt (underlayer): 3 rolls, SBS roofing material: 3 rolls, roofing nails, EPDM, rain gutters, additional door. See Optional Products p. 242-257 for details.

TREATMENT OPTIONS



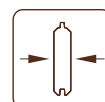
108219
brown dip



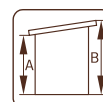
108220
grey dip



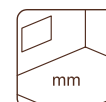
108221
clear white dip



28 mm



A: 199 cm
B: 214 cm

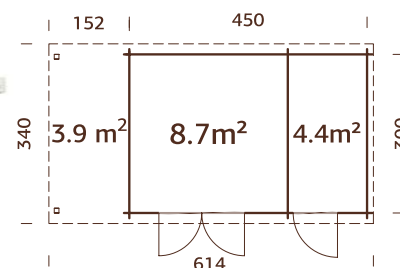


NB! Floor is an optional extra! 19 mm

PALMAKO CABIN ELLA 13,1+3,9 m²

ARTICLE NUMBER: 108222

under
2,5m



Can be built in reverse!

MODEL SPECIFICATIONS

Log measurements:

610x320 cm

Volume: 26,8+8,0 m³

Door/window type: Garden

Door glass: Toughened glass, 4 mm

Door opening

measurements: 73x175,
151x175 cm

Door sill: low, covered with stainless steel

Roof boards: 19 mm

Roof area: 20,9 m²

Roof gradient: 2,2°

Gross ground area: 17,8 m²

OPTIONAL

Floor, roofing felt (underlayer): 5 rolls, SBS roofing material: 5 rolls, roofing nails, EPDM, rain gutters, additional door. See Optional Products p. 242-257 for details.

TREATMENT OPTIONS



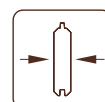
108223
brown dip



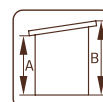
108224
grey dip



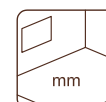
108225
clear white dip



28 mm



A: 199 cm
B: 214 cm

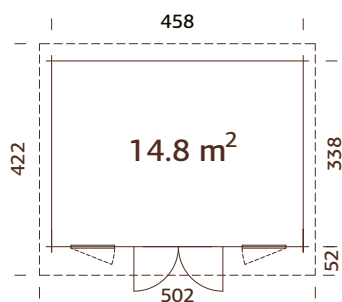


NB! Floor is an optional extra! 19 mm

PALMAKO CABIN BRET 14,8 m²

under 2,5m

ARTICLE NUMBER: 109159



Double glazed.

TREATMENT OPTIONS



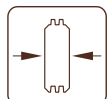
109161
brown dip



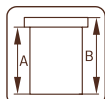
109162
grey dip



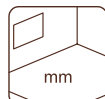
109160
clear white dip



44 mm



A: 227 cm
B: 254 cm



Included
19 mm

MODEL SPECIFICATIONS

Log measurements:

478x358 cm

Volume: 34,8 m³

Door/window type: Garden+

Door/window glass: Double toughened glass, 4-6-4 mm

Window opening

measurements: 66x167 cm

Door opening

measurements: 151x186 cm

Door sill: low, covered with stainless steel

Roof boards: 19 mm

Roof area: 20,4 m²

Roof gradient: 2,8°

Gross ground area: 15,5 m²

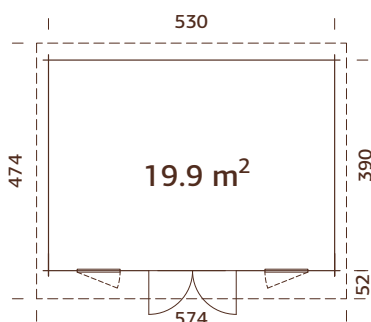
OPTIONAL

Roofing felt (underlayer): 5 rolls, SBS roofing material: 5 rolls, roofing nails, EPDM, rain gutters, extension, canopy roof, additional door and window. See Optional Products p. 242-257 for details.

PALMAKO CABIN BRET 19,9 m²

under 2,5m

ARTICLE NUMBER: 109163



Double glazed.

TREATMENT OPTIONS



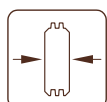
109165
brown dip



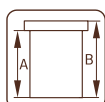
109166
grey dip



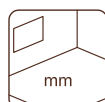
109164
clear white dip



44 mm



A: 227 cm
B: 254 cm



Included
19 mm

MODEL SPECIFICATIONS

Log measurements:

550x410 cm

Volume: 46,8 m³

Door/window type: Garden+

Door/window glass: Double toughened glass, 4-6-4 mm

Window opening

measurements: 66x167 cm

Door opening

measurements: 151x186 cm

Door sill: low, covered with stainless steel

Roof boards: 19 mm

Roof area: 26,3 m²

Roof gradient: 2,4°

Gross ground area: 20,7 m²

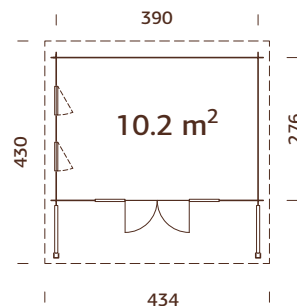
OPTIONAL

Roofing felt (underlayer): 6 rolls, SBS roofing material: 6 rolls, roofing nails, EPDM, rain gutters, extension, canopy roof, additional door and window. See Optional Products p. 242-257 for details.

PALMAKO CABIN CAROLINE 10,2 m²

NEW!

ARTICLE NUMBER: 109503



Double glazed.



MODEL SPECIFICATIONS

Log measurements:

410x296 cm

Volume: 24,0 m³

Door/window type: Garden+

Door/window glass: Double toughened glass, 4-6-4 mm

Window opening

measurements: 44x157 cm

Door opening

measurements: 120x183 cm

Door sill: low,

covered with stainless steel

Roof boards: 19 mm

Roof area: 17,7 m²

Roof gradient: 3,5°

Gross ground area: 10,8 m²

TREATMENT OPTIONS



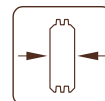
109505
brown dip



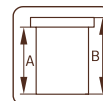
109506
grey dip



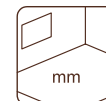
109504
clear white dip



44 mm



A: 228 cm
B: 257 cm



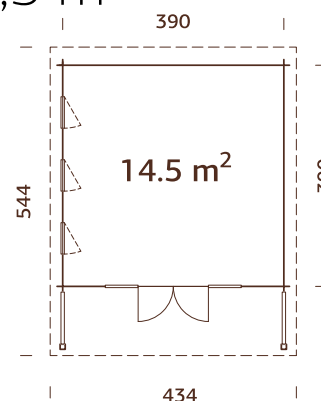
Included
19 mm

OPTIONAL

Roofing felt (underlayer): 3 rolls, SBS roofing material: 3 rolls, roofing nails, rain gutters, additional door and window. See Optional Products p. 242-257 for details.

PALMAKO CABIN CAROLINE 14,5 m²

ARTICLE NUMBER: 108981



Double glazed.



MODEL SPECIFICATIONS

Log measurements:

410x410 cm

Volume: 32,5 m³

Door/window type: Garden+

Door/window glass: Double toughened glass, 4-6-4 mm

Window opening

measurements: 44x157 cm

Door opening

measurements: 120x183 cm

Door sill: low,

covered with stainless steel

Roof boards: 19 mm

Roof area: 23,2 m²

Roof gradient: 2,4°

Gross ground area: 15,2 m²

TREATMENT OPTIONS



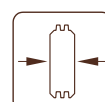
108983
brown dip



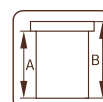
108984
grey dip



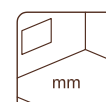
108982
clear white dip



44 mm



A: 228 cm
B: 257 cm



Included
19 mm

OPTIONAL

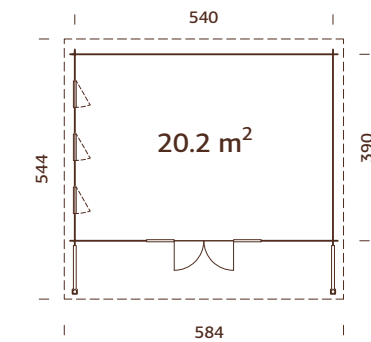
Roofing felt (underlayer): 4 rolls, SBS roofing material: 4 rolls, roofing nails, EPDM, rain gutters, additional door and window. See Optional Products p. 242-257 for details.



PALMAKO CABIN CAROLINE 20,2 m²

ARTICLE NUMBER: 109490

NEW!



Double glazed.

TREATMENT OPTIONS



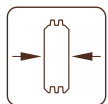
109492
brown dip



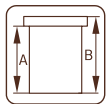
109493
grey dip



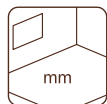
109491
clear white dip



44 mm



A: 228 cm
B: 257 cm



Included
19 mm

MODEL SPECIFICATIONS

Log measurements:

560x410 cm

Volume: 47,7 m³

Door/window type: Garden+

Door/window glass: Double toughened glass, 4-6-4 mm

Window opening

measurements: 44x157 cm

Door opening

measurements: 120x183 cm

Door sill: low,

covered with stainless steel

Roof boards: 19 mm

Roof area: 30,5 m²

Roof gradient: 2,4°

Gross ground area: 21,1 m²

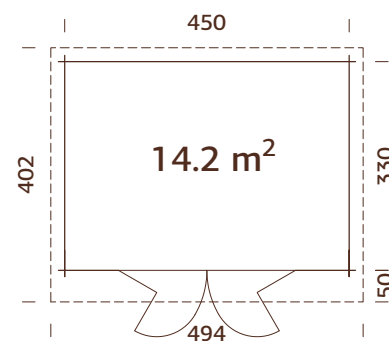
OPTIONAL

Roofing felt (underlayer): 7 rolls, SBS roofing material: 7 rolls, roofing nails, rain gutters, additional door and window. See Optional Products p. 242-257 for details.

PALMAKO CABIN LEA 14,2 m²

ARTICLE NUMBER: 101728

under
2,5m



Bifold doors.
Double glazed.

MODEL SPECIFICATIONS

Log measurements:

470x350 cm

Volume: 31,6 m³

Door/window type: Garden+

Door/window glass: Double toughened glass, 4-6-4 mm

Bi-fold door opening

measurements: 263x184 cm

Door sill: low, covered with stainless steel

Roof boards: 19 mm

Roof area: 19,2 m²

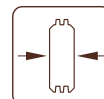
Roof gradient: 4,0°

Gross ground area: 14,9 m²

TREATMENT OPTIONS



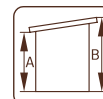
101729
brown dip



44 mm



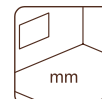
101731
grey dip



A: 211 cm
B: 244 cm



101730
clear white dip



Included
19 mm

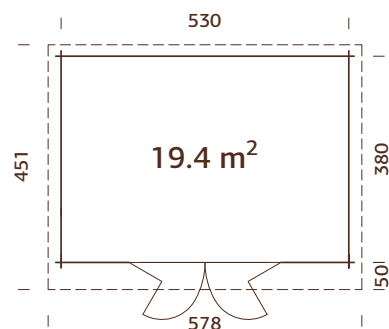
OPTIONAL

Roofing felt (underlayer): 3 rolls, SBS roofing material: 3 rolls, roofing nails, EPDM, rain gutters, extension, canopy roof, additional door. See Optional Products p. 242-257 for details.

PALMAKO CABIN LEA 19,4 m²

ARTICLE NUMBER: 101736

under
2,5m



Bifold doors.
Double glazed.

MODEL SPECIFICATIONS

Log measurements:

550x400 cm

Volume: 42,0 m³

Door/window type: Garden+

Door/window glass: Double toughened glass, 4-6-4 mm

Bi-fold door opening

measurements: 263x184 cm

Door sill: low, covered with stainless steel

Roof boards: 19 mm

Roof area: 25,8 m²

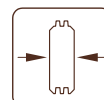
Roof gradient: 5,2°

Gross ground area: 20,1 m²

TREATMENT OPTIONS



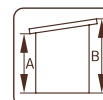
101737
brown dip



44 mm



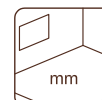
101739
grey dip



A: 200 cm
B: 249 cm



101738
clear white dip



Included
19 mm

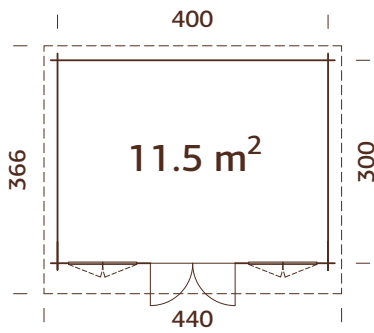
OPTIONAL

Roofing felt (underlayer): 6 rolls, SBS roofing material: 6 rolls, roofing nails, EPDM, rain gutters, extension, canopy roof, additional door. See Optional Products p. 242-257 for details.

PALMAKO CABIN LISA 11,5 m²

ARTICLE NUMBER: 102281

under
2,5m



Includes door and window bars.



TREATMENT OPTIONS



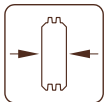
102282
brown dip



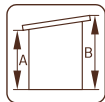
102284
grey dip



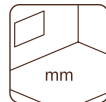
102283
clear white dip



34 mm



A: 211 cm
B: 234 cm



Included
19 mm

MODEL SPECIFICATIONS

Log measurements:

420x320 cm

Volume: 25,6 m³

Door/window type: Garden

Window glass:

Real glass, 4 mm

Door glass:

Toughened glass, 4 mm

Window opening

measurements: 90x123 cm

Door opening

measurements: 114x186 cm

Door sill:

low, covered with stainless steel

Roof boards: 19 mm

Roof area: 16,1 m²

Roof gradient: 4,4°

Gross ground area: 12,0 m²

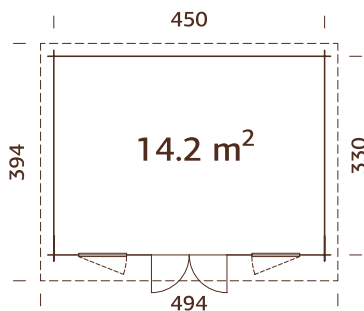
OPTIONAL

Roofing felt (underlayer): 3 rolls, SBS roofing material: 3 rolls, roofing nails, EPDM, rain gutters, extension, canopy roof, additional door and window. See Optional Products p. 242-257 for details.

PALMAKO CABIN LISA 14,2 m²

ARTICLE NUMBER: 102197

under
2,5m



Double glazed.

Includes door and window bars.



TREATMENT OPTIONS



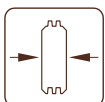
102198
brown dip



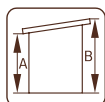
102200
grey dip



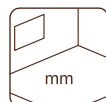
102199
clear white dip



44 mm



A: 211 cm
B: 239 cm



Included
19 mm

MODEL SPECIFICATIONS

Log measurements:

470x350 cm

Volume: 31,6 m³

Door/window type: Garden+

Window glass:

Double glass, 3-6-3 mm

Door glass:

Double toughened glass, 4-6-4 mm

Window opening

measurements: 60x111 cm

Door opening

measurements: 151x175 cm

Door sill:

low, covered with stainless steel

Roof boards: 19 mm

Roof area: 19,2 m²

Roof gradient: 4,0°

Gross ground area: 14,9 m²

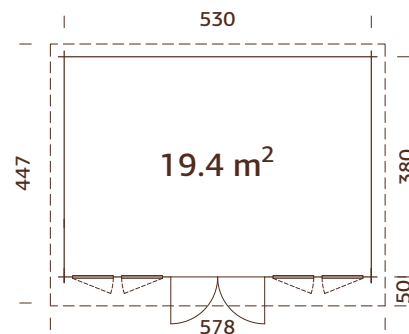
OPTIONAL

Roofing felt (underlayer): 3 rolls, SBS roofing material: 3 rolls, roofing nails, EPDM, rain gutters, extension, canopy roof, additional door and window. See Optional Products p. 242-257 for details.

PALMAKO CABIN LISA 19,4 m²

ARTICLE NUMBER: 101749

under 2,5m



Double glazed.
Includes door
and window bars.



MODEL SPECIFICATIONS

Log measurements:

550x400 cm

Volume: 41,9 m³

Door/window type: Garden+

Window glass:

Double glass, 3-6-3 mm

Door glass: Double

toughened glass, 4-6-4 mm

Window opening

measurements: 60x111 cm

Door opening

measurements: 151x175 cm

Door sill: low,

covered with stainless steel

Roof boards: 19 mm

Roof area: 25,4 m²

Roof gradient: 5,2°

Gross ground area: 20,1 m²

TREATMENT OPTIONS



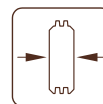
101750
brown dip



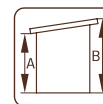
101752
grey dip



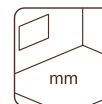
101751
clear white dip



44 mm



A: 200 cm
B: 234 cm



Included
19 mm

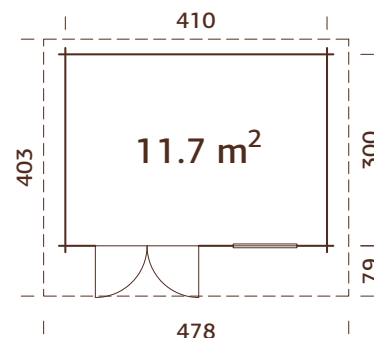
OPTIONAL

Roofing felt (underlayer): 6 rolls, SBS roofing material: 6 rolls, roofing nails, EPDM, rain gutters, extension, canopy roof, additional door and window. See Optional Products p. 242-257 for details.

PALMAKO CABIN HEIDI 11,7 m²

ARTICLE NUMBER: 106355

under 2,5m



Double glazed.

MODEL SPECIFICATIONS

Log measurements:

430x320 cm

Volume: 26,7 m³

Door/window type: Summer

Door/window glass: Double

toughened glass, 4-9-4 mm

Fixed window,

measurements: 90x168 cm

Door opening

measurements: 151x183 cm

Door sill: low, covered with

stainless steel

Roof boards: 19 mm

Roof area: 18,6 m²

Roof gradient: 2,2°

Gross ground area: 12,3 m²

TREATMENT OPTIONS



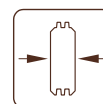
107283
brown dip



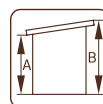
107284
grey dip



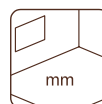
107286
clear white dip



44 mm



A: 222 cm
B: 244 cm



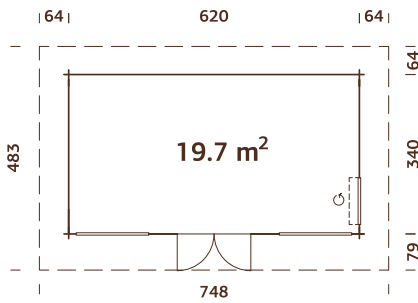
Included
19 mm

OPTIONAL

Roofing felt (underlayer): 3 rolls, SBS roofing material: 3 rolls, roofing nails, EPDM, rain gutters, additional door and window. See Optional Products p. 242-257 for details.

PALMAKO CABIN HEIDI 19,7 m²

ARTICLE NUMBER: 106370



Double glazed.

MODEL SPECIFICATIONS

Log measurements:

640x360 cm

Volume: 49,5 m³

Door/window type: Summer

Door/window glass: Double toughened glass, 4-9-4 mm

Window opening

measurements: 82x198 cm

Fixed window, measurements: 143x194 cm

Door opening

measurements: 148x203 cm

Door sill: low,

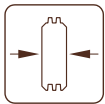
covered with stainless steel

Roof boards: 19 mm

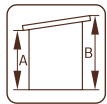
Roof area: 36,5 m²

Roof gradient: 9,2°

Gross ground area: 21,1 m²

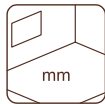


70 mm



A: 236 cm

B: 314 cm



Included

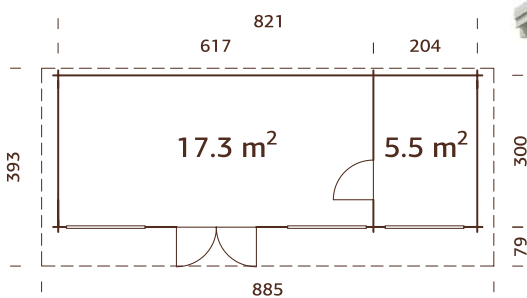
19 mm

OPTIONAL

Roofing felt (underlayer): 6 rolls, SBS roofing material: 6 rolls, roofing nails, EPDM, rain gutters, additional door and window. See Optional Products p. 242-257 for details.

PALMAKO CABIN HEIDI 22,8 m²

ARTICLE NUMBER: 106381



Double glazed.

MODEL SPECIFICATIONS

Log measurements:

840x320 cm

Volume: 59,2 m³

Door/window type: Summer

Door/window glass: Double toughened glass, 4-9-4 mm

Fixed window

measurements:

143x194 cm, 143x42 cm

Door opening

measurements: 75x195 cm,

148x203 cm

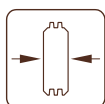
Door sill: low, covered with stainless steel

Roof boards: 19 mm

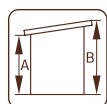
Roof area: 34,6 m²

Roof gradient: 9,0°

Gross ground area: 24,6 m²

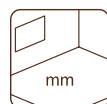


70 mm



A: 236 cm

B: 270 cm



Included

28 mm

OPTIONAL

Roofing felt (underlayer): 6 rolls, SBS roofing material: 6 rolls, roofing nails, rain gutters, additional door and window. See Optional Products p. 242-257 for details.

OPTIONAL PRODUCTS

SEE OPTIONAL PRODUCTS, PAGES 242-257



House	Art. No.	Floor ¹	Roofing felt, rolls	SBS roofing material, rolls	Roofing nails, 1 kg	EPDM ²	Rain gutters	Canopy roof	Additional door	Additional window
Lara 6.0 m ²	101450	102963	107210, 2 rolls	107214, 2 rolls	107930	107169	106626	103168	106779	103311
Lara 6.0+5.9 m ²	101587	102963	107210, 5 rolls	107214, 5 rolls	107930	107172	106628	103168	106779	103311
Lara 8.4 m ²	101547	103003	107210, 2 rolls	107214, 2 rolls	107930	107169	106627	103168	106779	103311
Lara 8.4+5.9 m ²	101603	103003	107210, 5 rolls	107214, 5 rolls	107930	107168	106626 + 106627	103168	106779	103311
Lara 12.7 m ²	101329	103046	107210, 3 rolls	107214, 3 rolls	107930	107166	106628	103168	109096, 106779	103311
Elsa 9.6 m ²	101552	103007	107210, 3 rolls	107214, 3 rolls	107930	108624	106627	103168	106815	100045
Elsa 9.6+8.1 m ²	101619	103007	107210, 5 rolls	107214, 5 rolls	107930	107168	106626 + 106627	103168	106815	100045
Elsa 11.3 m ²	102006	103034	107210, 3 rolls	107214, 3 rolls	107930	108624	107375	103168	106815	100045
Elsa 11.3+8.1 m ²	102014	103034	107210, 5 rolls	107214, 5 rolls	107930	107168	2 x 106627	103168	106815	100045
Ella 6.9 m ²	101453	102967	107210, 2 rolls	107214, 2 rolls	107930	107169	106626		103530	
Ella 8.7 m ²	101543	102994	107210, 3 rolls	107214, 3 rolls	107930	108624	106627		103530	
Ella 6.9+8.2 m ²	101595	102967	107210, 5 rolls	107214, 5 rolls	107930	107172	106628		103530	
Ella 6.9+10.0 m ²	101607	102967	107210, 5 rolls	107214, 5 rolls	107930	107168	106626 + 106627		103530	
Ella 8.7+8.2 m ²	101611	102994	107210, 5 rolls	107214, 5 rolls	107930	107168	106626 + 106627		103530	
Ella 8.7+10.0 m ²	101623	102994	107210, 5 rolls	107214, 5 rolls	107930	107168	106626 + 106627		103530	
Ella 13.1 m ²	108218	108279	107210, 3 rolls	107214, 3 rolls	107930	107166	107375		109097, 103530	
Ella 13.1+3.9 m ²	108222	108279	107210, 5 rolls	107214, 5 rolls	107930	108276	106626 + 106627		109097, 103530	

¹ Includes treated joists.

² Includes glue for EPDM installation. Read more about EPDM p. 249.

The article number is indicated for untreated items, for treated items ask our sales team.

OPTIONAL PRODUCTS

SEE OPTIONAL PRODUCTS, PAGES 242-257

House	Art. No.	Floor ¹	Roofing felt, rolls	SBS roofing material, rolls	Roofing nails 1 kg	EPDM ²	Rain gutters	Extension	Canopy roof	Additional door	Additional window
Bret 14,8 m ²	102205		107210 5 rolls	107214 5 rolls	107950	107172	106631	102801	103168	106882	109188 109189
Bret 19,9 m ²	102218		107210 6 rolls	107214 6 rolls	107950	107173	106628	102801	103168	106882	109188 109189
Caroline 10,2 m ²	109503		107210 3 rolls	107214 3 rolls	107950	107171	107375			109168	109167
Caroline 14,5 m ²	108981		107210 4 rolls	107214 4 rolls	107950	109115	107375			109168	109167
Caroline 20,2 m ²	109490		107210 7 rolls	107214 7 rolls	107950	107174	106628			109168	109167
Lea 14,2 m ²	101728		107210 3 rolls	107214 3 rolls	107950	107171	107375	102801	103168	108554	109167
Lea 19,4 m ²	101736		107210 6 rolls	107214 6 rolls	107950	107173	106628	102801	103168	108554	
Lisa 11,5 m ²	102281		107210 3 rolls	107214 3 rolls	107950	107166	107375	102801	103168	103543	106668
Lisa 14,2 m ²	102197		107210 3 rolls	107214 3 rolls	107950	107171	107375	102801	103168	103571	103356 103360
Lisa 19,4 m ²	101749		107210 6 rolls	107214 6 rolls	107950	107173	106628	102801	103168	103571	103356 103360
Heidi 11,7 m ²	106355		107210 3 rolls	107214 3 rolls	107950	107171	107375			109091	100133
Heidi 19,7 m ²	106370		107210 6 rolls	107214 6 rolls	107950	107173	2 x 106627			106928	100187 100176
Heidi 22,8 m ²	106381		107210 6 rolls	107214 6 rolls	107950	107173	106628 + 106626			107138 106928	100204 100176

¹ includes treated joists.

² includes glue for EPDM installation. Read more about EPDM p. 249.

The article number is indicated to untreated items, for treated items ask our sales team.





COTTAGES

COTTAGES

NEW



PALMAKO COTTAGE
KENDRA 18,4 m²



PALMAKO COTTAGE
EMILY 39,2 m²



PALMAKO COTTAGE
EMILY 40,1+5,2 m²



PALMAKO COTTAGE
AGNETA 18,8+12,5 m²



PALMAKO COTTAGE
AGNETA 18,8+28,8 m²



PALMAKO COTTAGE
ANNA 26,8 m²



PALMAKO COTTAGE
ANNA 26,8+1,9 m²



PALMAKO COTTAGE
SANDRA 21,5+3,7 m²



PALMAKO COTTAGE
SANDRA 25,6+11,1 m²



PALMAKO COTTAGE
SANDRA 29,9 m²

PALMAKO COTTAGE KENDRA 18,4 m²

ARTICLE NUMBER: 109494

NEW!



MODEL SPECIFICATIONS

Log measurements: 419x519 cm

Volume: 66,2 m³

Door/window type: Summer

Door/window glass:
Double glass, 3-9-3 mm

Window opening measurements: 42x42, 76x92, 117x92 cm

Door opening measurements: 60x188, 151x195 cm

Door sill: low, covered with stainless steel

Roof boards: 19 mm

Roof area: 34,7 m²

Roof gradient: 36,4°

Gross ground area: 19,9 m²

Ground floor: 15,4+3,0 m²

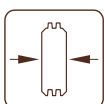
First floor: 17,6 m²

OPTIONAL

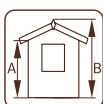
Roofing felt (underlayer): 9 rolls, SBS roofing material: 9 rolls, shingles 13 packs, roofing nails, additional door and window. See Optional Products p. 242-257 for details.

Double glazed.

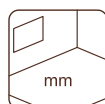
Strong purlins from laminated wood.



70 mm



A: 283 cm
B: 432 cm



Included
19 mm

PALMAKO COTTAGE EMILY 39,2 m²

ARTICLE NUMBER: 106569



MODEL SPECIFICATIONS

Log measurements: 660x780 cm

Volume: 102,2 m³

Door/window type: Summer

Door/window glass:
Double glass, 3-9-3 mm

Window opening measurements: 42x42 cm,
76x92 cm, 117x92 cm

Door opening measurements:
73x195 cm

Door sill: low, covered with stainless steel

Roof boards: 19 mm

Roof area: 53,9 m²

Roof gradient: 15,8°

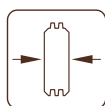
Gross ground area: 42,0 m²

OPTIONAL

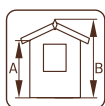
Roofing felt (underlayer): 10 rolls, SBS roofing material: 10 rolls, shingles: 21 packs, roofing nails, additional door and window.

See Optional Products p. 242-257 for details.

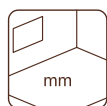
Double glazed.
Strong purlins from laminated wood.



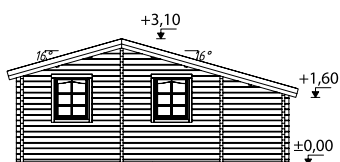
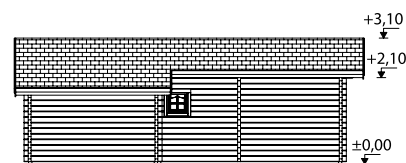
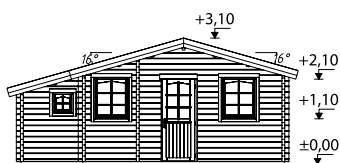
70 mm



A: 230 cm
B: 310 cm



Included
28 mm



PALMAKO COTTAGE EMILY 40,1+5,2 m²

ARTICLE NUMBER: 106566



MODEL SPECIFICATIONS

Log measurements: 590x570 cm

Volume: 79,8 m³

Terrace: 339x153 cm

Door/window type: Summer

Door/window glass:

Double glass, 3-9-3 mm

Window opening measurements: 42x42 cm, 76x92 cm, 117x92 cm

Door opening measurements:

73x195 cm

Door sill: low, covered with stainless steel

Roof boards: 19 mm

Roof area: 41,9 m²

Roof gradient: 24,8°

Gross ground area (terrace included): 31,4 m²

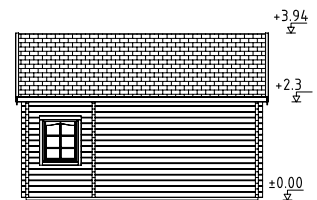
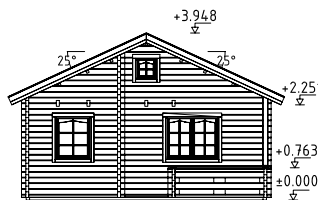
Ground floor: 23,7+5,2 m²

First floor: 16,4 m²

OPTIONAL

Roofing felt (underlayer): 9 rolls, SBS roofing material: 9 rolls, shingles: 16 packs, roofing nails, additional door and window.

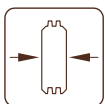
See Optional Products p. 242-257 for details.



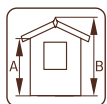
Double glazed.

Strong purlins from laminated wood.

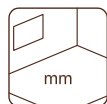
Terrace boards are treated.



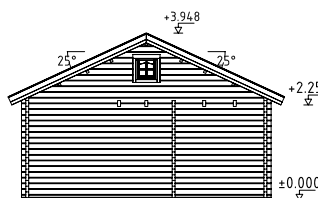
70 mm



A: 256 cm
B: 395 cm

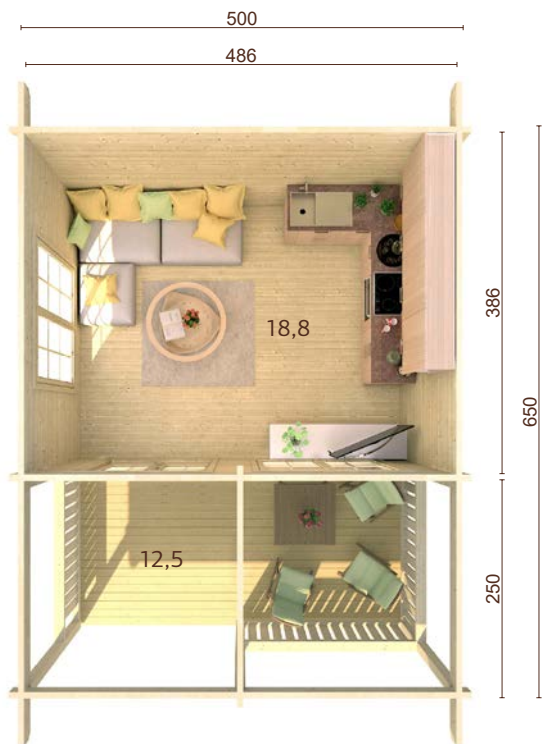


Included 28 mm



PALMAKO COTTAGE AGNETA 18,8+12,5 m²

ARTICLE NUMBER: 106522



MODEL SPECIFICATIONS

Log measurements (house):

520x420 cm

Log measurements (house with terrace):

520x650 cm

Volume: 58,1 m³

Terrace: 250x500 cm

Door/window type: Summer

Door/window glass: Double glass, 3-9-3 mm

Window opening measurements:

168x159 cm

Door opening measurements:

155x203 cm

Door sill: low, covered with stainless steel

Roof boards: 19 mm

Roof area: 47,3 m²

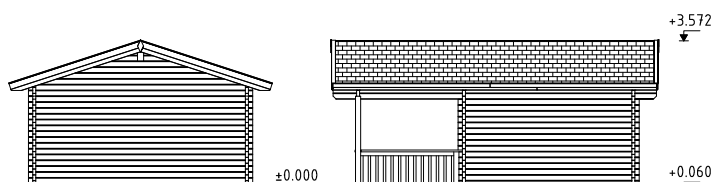
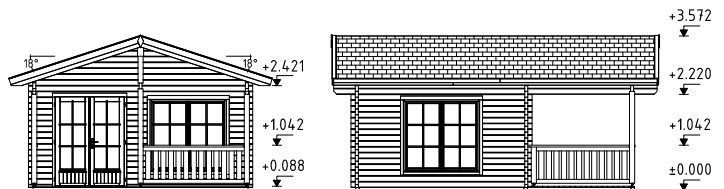
Roof gradient: 18,0°

Gross ground area (terrace included): 32,3 m²

OPTIONAL

Roofing felt (underlayer): 7 rolls, SBS roofing material: 7 rolls, shingles: 18 packs, roofing nails, additional door and window.

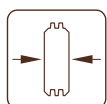
See Optional Products p. 242-257 for details.



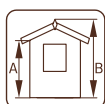
Double glazed.

Can be built in reverse!

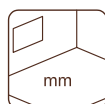
Terrace boards are treated.



70 mm



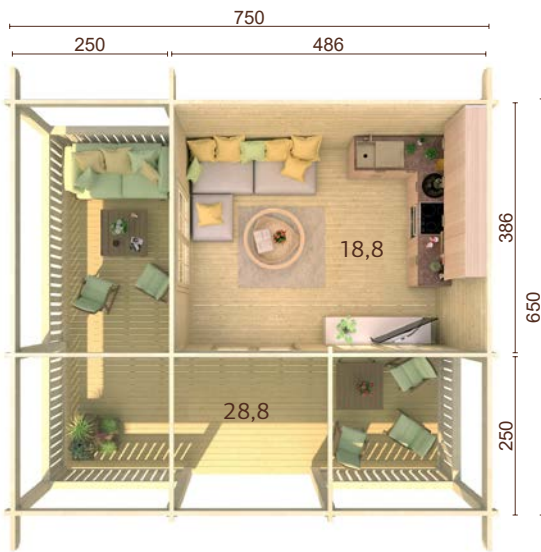
A: 250 cm
B: 357 cm



Included
28 mm

PALMAKO COTTAGE AGNETA 18,8+28,8 m²

ARTICLE NUMBER: 106526



MODEL SPECIFICATIONS

Log measurements (house):

520x420 cm

Log measurements (house with terrace):

750x650 cm

Volume: 63,8 m³

Terrace: 250x750 cm, 250x650 cm

Door/window type: Summer

Door/window glass:
Double glass, 3-9-3 mm

Window opening

measurements: 168x159 cm

Door opening measurements:

155x203 cm

Door sill: low, covered with stainless steel

Roof boards: 19 mm

Roof area: 67,2 m²

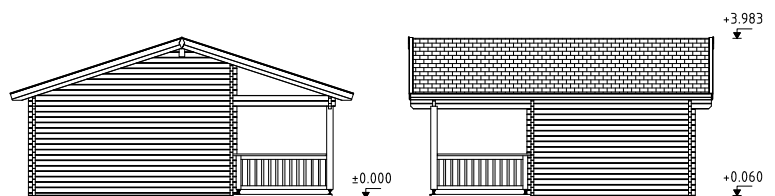
Roof gradient: 18,0°

Gross ground area (terrace included): 48,1 m²

OPTIONAL

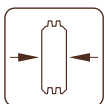
Roofing felt (underlayer): 11 rolls, SBS roofing material: 11 rolls, shingles: 24 packs, roofing nails, additional door and window.

See Optional Products p. 242-257 for details.

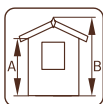


Double glazed.

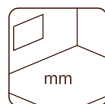
Terrace boards are treated.



70 mm



A: 250 cm
B: 400 cm



Included
28 mm

PALMAKO COTTAGE ANNA 26,8 m²

ARTICLE NUMBER: 106568



MODEL SPECIFICATIONS

Log measurements: 820x520 cm

Volume: 81,9 m³

Door/window type: Summer

Door/window glass: Double toughened glass, 4-9-4 mm

Window opening measurements:

42x42 cm, 117x145 cm

Fixed window measurements:
26x153 cm

Door opening measurements:

60x188 cm, 115x188 cm

Door sill: low, covered with stainless steel

Roof boards: 19 mm

Roof area: 46,7 m²

Roof gradient: 25,3°

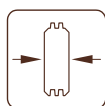
Gross ground area : 29,2 m²

OPTIONAL

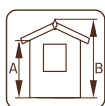
Roofing felt (underlayer): 7 rolls, SBS roofing material: 7 rolls, shingles: 18 packs, roofing nails, additional door and window.

See Optional Products p. 242-257 for details.

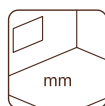
Double glazed.



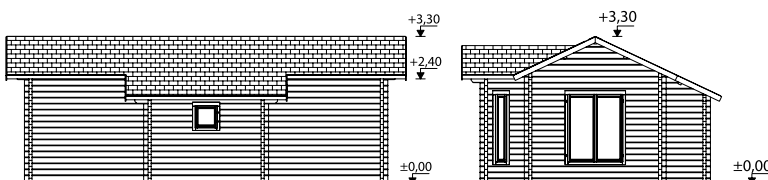
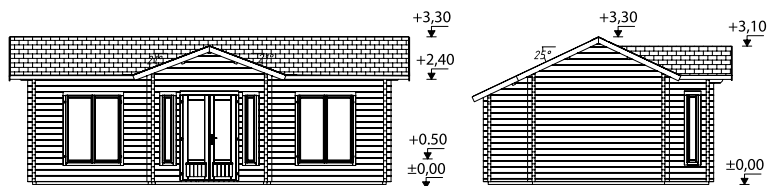
70 mm



A: 257 cm
B: 330 cm



Included
28 mm



PALMAKO COTTAGE ANNA 26,8+1,9 m²

ARTICLE NUMBER: 106399



MODEL SPECIFICATIONS

Log measurements: 790x420 cm

Volume: 75,6 m³

Terrace: 190x100 cm

Door/window type: Summer

Door/window glass: Double toughened glass, 4-9-4 mm

Window opening measurements: 117x145 cm

Door opening measurements:

73x188 cm, 151x195 cm

Door sill: low, covered with stainless steel

Roof boards: 19 mm

Roof area: 39,7 m²

Roof gradient: 17,5°

Gross ground area: 30,8 m²

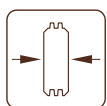
OPTIONAL

Roofing felt (underlayer): 7 rolls, SBS roofing material: 7 rolls, shingles: 16 packs, roofing nails, additional door and window.

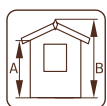
See Optional Products p. 242-257 for details.

Double glazed.

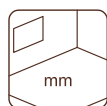
Terrace boards are treated.



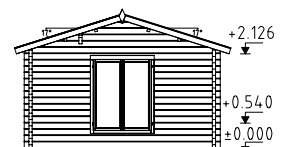
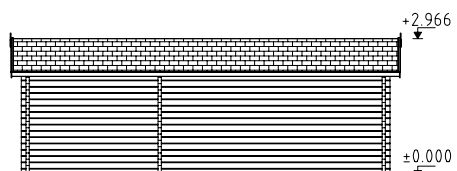
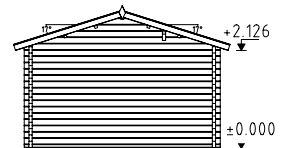
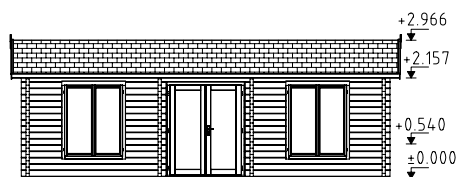
70 mm



A: 229 cm
B: 297 cm



Included
28 mm



PALMAKO COTTAGE SANDRA 21,5+3,7 m²

ARTICLE NUMBER: 106567



MODEL SPECIFICATIONS

Log measurements: 620x470 cm

Volume: 59,7 m³

Terrace: 329x104 cm

Door/window type: Summer

Door/window glass:
Double glass, 3-9-3 mm

Window opening measurements:
76x92 cm

Door opening measurements:
73x195 cm

Door sill: low, covered with stainless steel

Roof boards: 19 mm

Roof area: 36,0 m²

Roof gradient: 20,4°

Gross ground area (terrace included): 27,0 m²

OPTIONAL

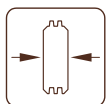
Roofing felt (underlayer): 7 rolls, SBS roofing material: 7 rolls, shingles: 14 packs, roofing nails, additional door and window.

See Optional Products p. 242-257 for details.

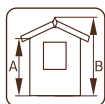
Double glazed.

Strong purlins from laminated wood.

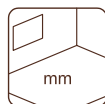
Terrace boards are treated.



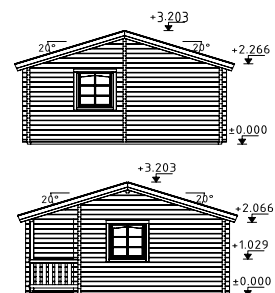
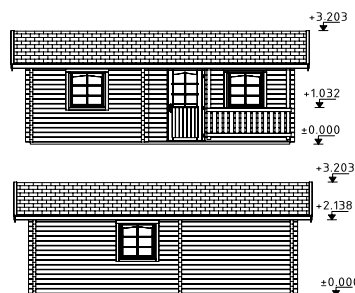
70 mm



A: 230 cm
B: 320 cm



Included
28 mm



PALMAKO COTTAGE SANDRA 25,6+11,1 m²

ARTICLE NUMBER: 106210



MODEL SPECIFICATIONS

Log measurements:

791x370(520) cm

Volume: 106,2 m³

Terrace: 771x146 cm

Door/window type: Summer

Door/window glass:

Double glass, 3-9-3 mm

Window opening

measurements:

66x111 cm, 117x115 cm

Door opening measurements:

60x187 cm, 73x186 cm,

151x186 cm

Door sill: low, covered with stainless steel

Roof boards: 19 mm

Roof area: 48,5 m²

Roof gradient: 19,2°

Gross ground area (terrace included): 38,6 m²

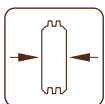
OPTIONAL

Roofing felt (underlayer): 9 rolls, SBS roofing material: 9 rolls, shingles: 18 packs, roofing nails, additional door and window.

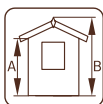
See Optional Products p. 242-257 for details.

Double glazed.

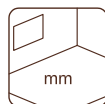
Terrace boards are treated.



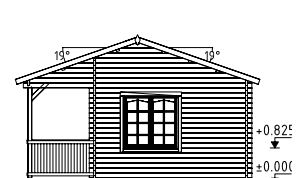
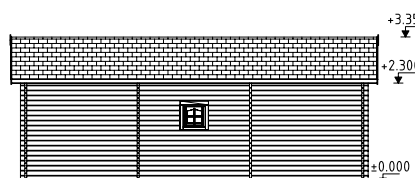
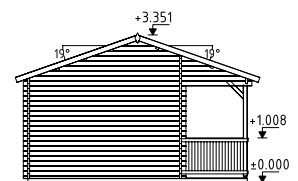
44 mm



A: 239 cm
B: 335 cm

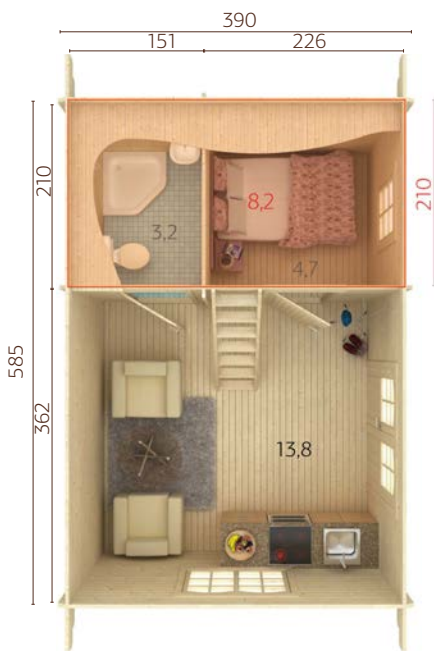


Included
19 mm



PALMAKO COTTAGE SANDRA 29,9 m²

ARTICLE NUMBER: 106214



MODEL SPECIFICATIONS

Log measurements: 605x410 cm

Volume: 65,6 m³

Door/window type: Summer

Door/window glass:

Double glass, 3-9-3 mm

Window opening

measurements:

66x111 cm, 76x87 cm, 117x87 cm

Door opening measurements:

73x186 cm, 151x186 cm

Door sill: low, covered with stainless steel

Roof boards: 19 mm

Roof area: 37,7 m²

Roof gradient: 32,1°

Gross ground area: 22,8 m²

Ground floor: 21,7 m²

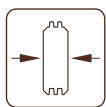
First floor: 8,2 m²

OPTIONAL

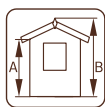
Roofing felt (underlayer): 8 rolls, SBS roofing material: 8 rolls, shingles: 15 packs, roofing nails, additional door and window.

See Optional Products p. 242-257 for details.

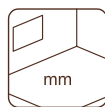
Double glazed.



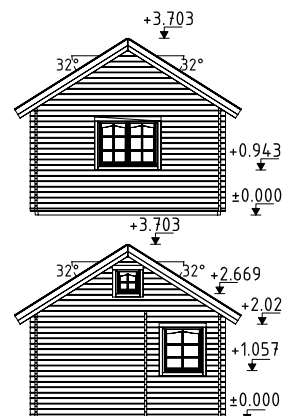
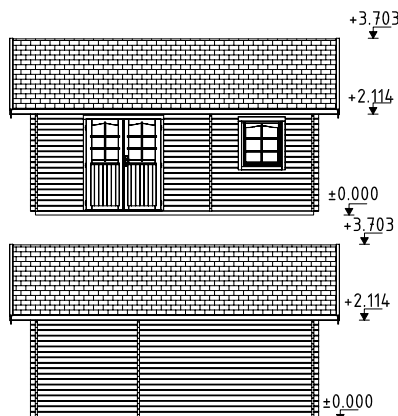
44 mm



A: 239 cm
B: 370 cm



Included
19 mm



WE PRODUCE COTTAGES OF YOUR DREAMS

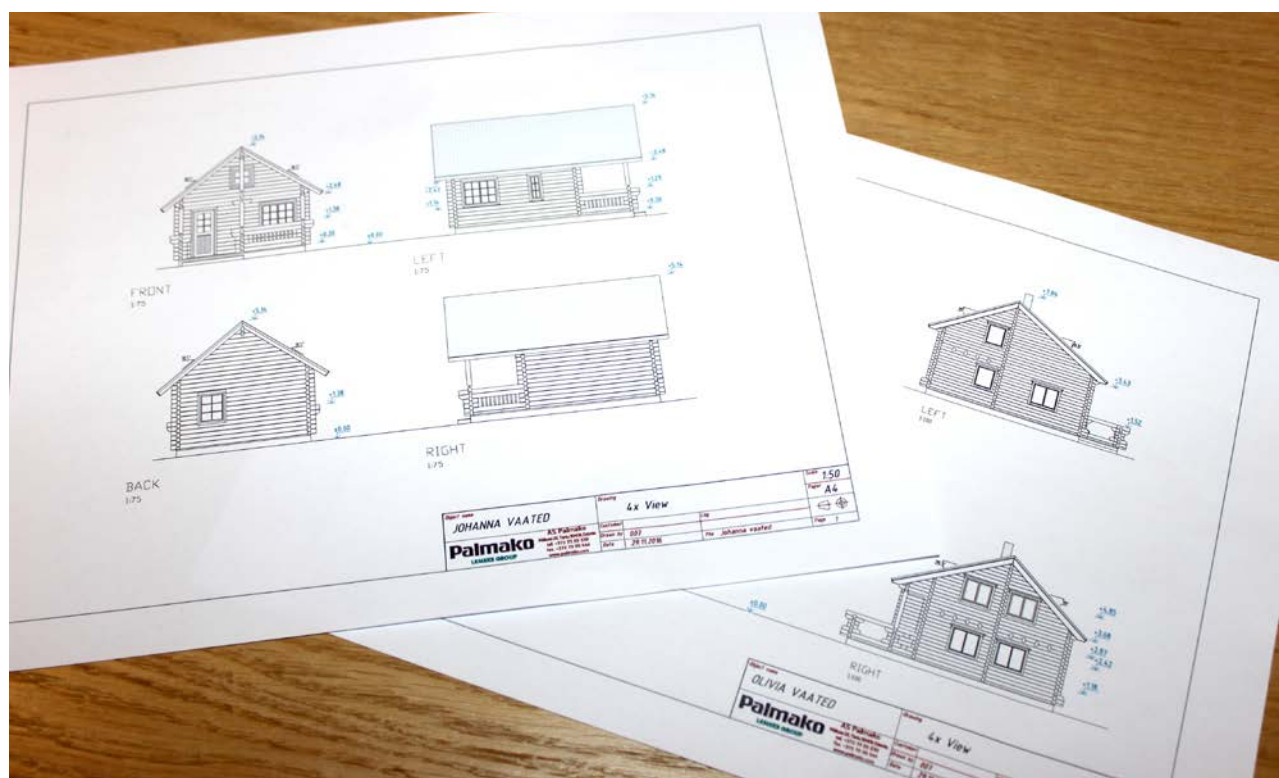
We offer houses with wall thicknesses of 44 mm and 70 mm solid timber, as well as 88 mm, 114 mm and 134 mm laminated timber.

This catalogue includes only some of the models and ideas available for weekend houses – with the help of our architects and bespoke design service we are also able to offer buildings made to your own specific design and requirements.

The 4-side views and ground plans will be supplied when necessary for acquiring a building permit. We can offer you the complete set of wooden details needed for the construction of the house like doors-windows, stairs, cladding for the walls etc. With every house we supply detailed specifications and blueprints for installing the house. All parts have been marked to simplify construction. Please ask for further details.

Individual modifications for all these cottage models in this catalogue are possible! We can also offer these houses with high 'domestic' quality doors and windows (starting from 70 mm log thickness).

We hope you will take contact with us if you have a dream cottage vision in your head. Together we will definitely find the best solution bringing it to reality.



OPTIONAL PRODUCTS

SEE OPTIONAL PRODUCTS, PAGES 242-257

House	Art. No.	Roofing felt, rolls	SBS roofing material, rolls	Shingles ¹ , packs	Roofing nails, 1 kg	Additional door	Additional window
Kendra 18,4 m ²	109494	107210 9 rolls	107214 9 rolls	13 packs	107930	106960, 107101	109537, 109536, 109543
Emily 39,2 m ²	106569	107210 10 rolls	107214 10 rolls	21 packs	107930	107154, 107153, 107157	100178, 103364, 100207, 103506
Emily 40,1+5,2 m ²	106566	107210 9 rolls	107214 9 rolls	16 packs	107930	107157, 107154	100207, 103364, 103506
Agneta 18,8+12,5 m ²	106522	107210 7 rolls	107214 7 rolls	18 packs	107930	106946	106732
Agneta 18,8+28,8 m ²	106526	107210 11 rolls	107214 11 rolls	24 packs	107930	106946	106732
Anna 26,8 m ²	106568	107210 7 rolls	107214 7 rolls	18 packs	107930	107101, 106924	100182, 100181, 106717
Anna 26,8+1,9 m ²	106399	107210 7 rolls	107214 7 rolls	16 packs	107930	107107, 106960	106717
Sandra 21,5+3,7 m ²	106567	107210 7 rolls	107214 7 rolls	14 packs	107930	107156, 107154, 107153	100178, 103364
Sandra 25,6+11,1 m ²	106210	107210 9 rolls	107214 9 rolls	18 packs	107930	107064, 107055, 107054, 106878	100093, 106684
Sandra 29,9 m ²	106214	107210 8 rolls	107214 8 rolls	15 packs	107930	107083, 103567	100093, 103352, 100138, 103502

¹ Shingles are available in different colours - 107180 = Black, 107182 = Red, 107183 = Green, 107181 = Brown. The article number is indicated to untreated items, for treated items ask our sales team.





MODERN LOOK

GRACE FAMILY BY PALMAKO



Palmako's new Modern Look Grace family houses are born from constant unrest to create something new and exciting.

These cabins are extraordinary due to the innovative solution for wall construction – special profile of glue laminated timber wall panels. Glue laminated timber is stable and durable base material, that is also wonderfully easy to set up.

The creation of such products is possible, since Palmako's investment into the new fully automatic production line of laminated timber.

Glue laminated wood ensures, that the building does not sink after completing. Unlike conventional laminated timber houses, new wall panel profile is unique - it is thin and high and the tenon joints stay tighter by being covered with a slat.

To reach the full height of the house, only 4 panels on top of each other are needed. When the lifting height of an ordinary milling beam is 114 mm, the new wall panel has a lifting height of 518 mm, which means that the surface of the wall remains smoother. Laminated timber is stable (no expansion-contraction or distortion), has a beautiful structure (no fissures or defects) and has a good fire resistance and heat insulation.

New innovative garden house family has four beautiful sisters: Grace 8.1+4.1 m², Grace 8.1+8.1 m², Grace 12.4+4.1 m² and Grace 14.5 m², which differ only in size and purpose. Why not create a cozy home office in a small cabin with a shorter canopy roof or use the Grace with a longer shed as a sauna or pool house. Grace 12.4+4.1 m² with two rooms is perfect for accommodate friends or relatives. The largest Grace has probably most functions among all sisters.



All Modern Look garden houses use innovative glue laminated wall panels. Lifting height of 518 mm makes an installation of the house easy and fast.

Modern wall corner connection of glue laminated wall panels is fixed with dowels and secured by screws.

Stable and weatherproof corner and log connections are guaranteed by using self-adhesive sealing.



Premium quality windows and door

The quality of Grace houses doors and windows is the best in its class. Laminated timber door frames, high quality classy oak-aluminium combined door sill, double toughened glass and premium lock system. Windows are with one-hand tilt-and-turn system with double toughened glass.

Foundation joists and floor boards

Foundation joists of the Grace houses are treated to guarantee long lifetime to the basis of the house. Solid 28 mm floor boards and floor slats are included in the house kit.

Roof construction

Strong glue laminated rafters carry 19 mm roof boards. To ensure water resistance of roof, we strongly recommend to use solid EPDM roof covering for these pent roof house models.

Paint finishing options

The doors/windows can be delivered from the factory with paint finishing, and the colour shade can be chosen from RAL colour chart. The most popular colour tones are:



RAL 1001



RAL 3009



RAL 6006



RAL 7016



RAL 9005



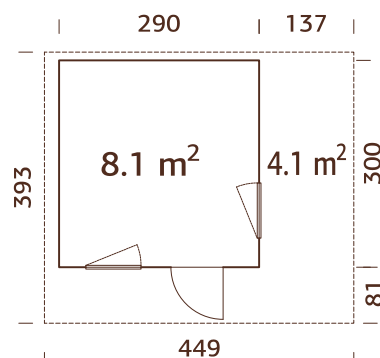
RAL 9010

NB! Colours as shown in the catalogue may vary from the actual colours.

PALMAKO MODERN LOOK HOUSE GRACE

ARTICLE NUMBER: 108586

8,1+4,1 m²



MODEL SPECIFICATIONS

Wall measurements:

290+137x300 cm

Volume: 18,8 m³

Door/window type: Living

Door/window glass: Double toughened glass, 4-18-4 mm

Window opening

measurements: 50x150 cm

Door opening

measurements: 70x193 cm

Door sill: high quality classy oak-aluminium combined door sill

Roof boards: 19 mm

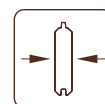
Roof area: 17,5 m²

Roof gradient: 5,0°

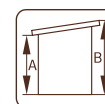
Gross ground area: 8,7+4,1 m²

Glue laminated wall panels.

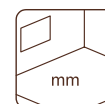
Strong purlins from laminated wood.



56 mm



A: 215 cm
B: 258 cm



Included
28 mm

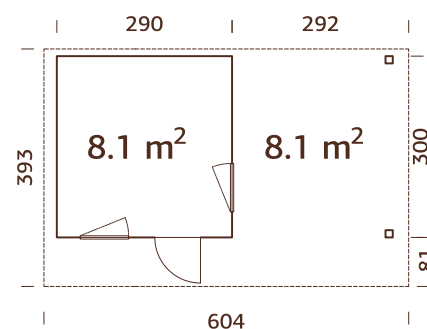
OPTIONAL

Roofing felt (underlayer): 3 rolls, SBS roofing material: 3 rolls, roofing nails, EPDM, rain gutters, additional door and window. See Optional Products p. 242-257 for details.

PALMAKO MODERN LOOK HOUSE GRACE

ARTICLE NUMBER: 108587

8,1+8,1 m²



MODEL SPECIFICATIONS

Wall measurements:

290+292x300 cm

Volume: 18,8 m³

Door/window type: Living

Door/window glass: Double toughened glass, 4-18-4 mm

Window opening

measurements: 50x150 cm

Door opening

measurements: 70x193 cm

Door sill: high quality classy oak-aluminium combined door sill

Roof boards: 19 mm

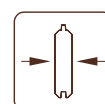
Roof area: 23,7 m²

Roof gradient: 5,0°

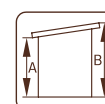
Gross ground area: 8,7+8,1 m²

Glue laminated wall panels.

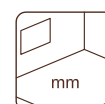
Strong purlins from laminated wood.



56 mm



A: 215 cm
B: 258 cm



Included
28 mm

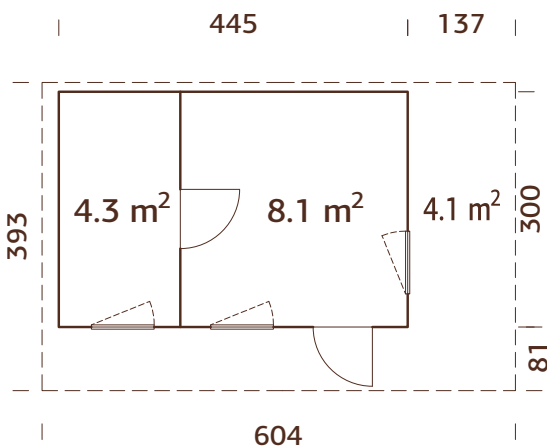
OPTIONAL

Roofing felt (underlayer): 5 rolls, SBS roofing material: 5 rolls, roofing nails, EPDM, rain gutters, additional door and window. See Optional Products p. 242-257 for details.

PALMAKO MODERN LOOK HOUSE GRACE

ARTICLE NUMBER: 108588

12,4+4,1 m²



MODEL SPECIFICATIONS

Wall measurements:

445+137x300 cm

Volume: 28,8 m³

Door/window type: Living

Door/window glass: Double

toughened glass, 4-18-4 mm

Window opening measurements: 50x150 cm

Door opening measurements:

70x193 cm

Door sill: high quality classy oak-aluminium combined door sill

Roof boards: 19 mm

Roof area: 23,7 m²

Roof gradient: 5,0°

Gross ground area: 13,4+4,1 m²

OPTIONAL

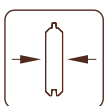
Roofing felt (underlayer): 5 rolls, SBS roofing material: 5 rolls, roofing nails,

EPDM, rain gutters, additional door and window.

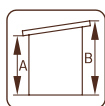
See Optional Products p. 242-257 for details.

Glue laminated wall panels.

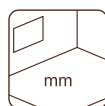
Strong purlins from laminated wood.



56 mm



A: 215 cm
B: 258 cm



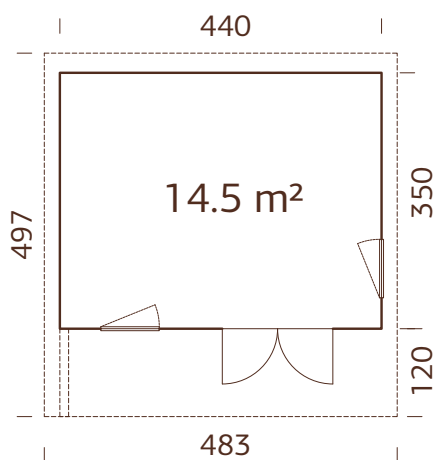
Included
28 mm

PALMAKO MODERN LOOK HOUSE GRACE

NEW!

ARTICLE NUMBER: 108922

14,5m²



MODEL SPECIFICATIONS

Wall measurements:

440x350 cm

Volume: 35,2 m³

Door/window type: Living

Door/window glass: Double toughened glass, 4-18-4 mm

Window opening measurements: 50x150 cm

Door opening measurements:

150x188 cm

Door sill: high quality classy oak-aluminium combined door sill

Roof boards: 19 mm

Roof area: 24,0 m²

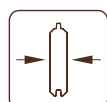
Roof gradient: 5,0°

Gross ground area: 15,4 m²

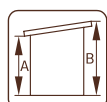
OPTIONAL

Roofing felt (underlayer): 7 rolls, SBS roofing material: 7 rolls, roofing nails, EPDM, rain gutters, additional door and window. See Optional Products p. 242-257 for details.

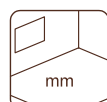
Glue laminated wall panels.
Strong purlins from laminated wood.



56 mm



A: 227 cm
B: 279 cm



Included
28 mm

OPTIONAL PRODUCTS

SEE OPTIONAL PRODUCTS, PAGES 242-257



House	Art. No.	Roofing felt, rolls	SBS roofing material, rolls	Roofing nails 1 kg	EPDM ¹	Rain gutters	Additional door	Additional window
Grace 8,1+4,1 m ²	108586	107210 3 rolls	107214 3 rolls	107930	107171	107375	109095	109086
Grace 8,1+8,1 m ²	108587	107210 5 rolls	107214 5 rolls	107930	107172	106628	109095	109086
Grace 12,4+4,1 m ²	108588	107210 5 rolls	107214 5 rolls	107930	107172	106628	109095, 109099	109086
Grace 14,5 m ²	108922	107210 7 rolls	107214 7 rolls	107930	107173	106626 + 106627	109544	109086

¹ Includes glue for EPDM installation. Read more about EPDM p. 249.
The article number is indicated to untreated items, for treated items ask our sales team.







NORDIC & NORDIC+ HOUSES



PALMAKO NORDIC HOUSE
LY 13,6 m²



PALMAKO NORDIC+ HOUSE
CHARLOTTE 21,5 m²



PALMAKO NORDIC HOUSE
HEDWIG 13,6 m²



PALMAKO NORDIC+ HOUSE
PERNILLA 21,5 m²



PALMAKO NORDIC HOUSE
ETTA 13,6 m²



PALMAKO NORDIC+ HOUSE
ANNIKA 21,5 m²



PALMAKO NORDIC HOUSE
SIMONE 13,6 m²



PALMAKO NORDIC HOUSE
ANNABEL 13,4 m² KIT



PALMAKO NORDIC HOUSE
ANNABEL 13,4 m²

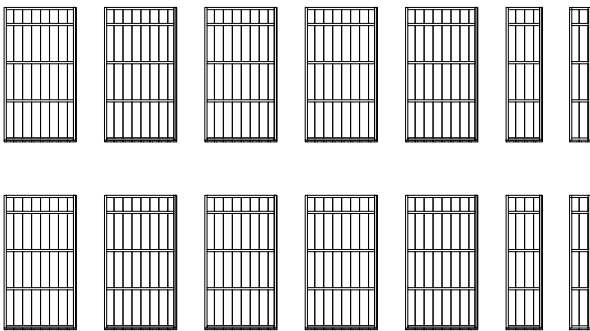


PALMAKO NORDIC HOUSE
SOLVEIG 13,6 m²

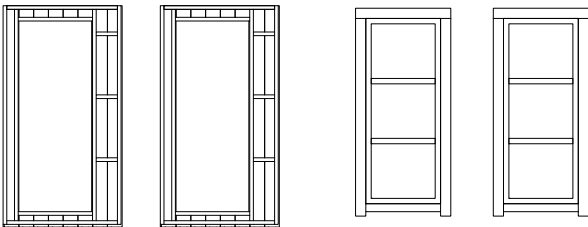
FAST & EASY ASSEMBLY



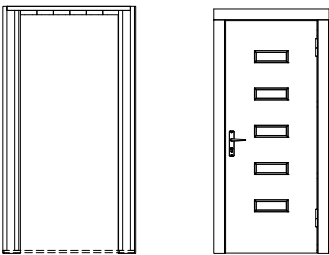
Internal view, walls covered with wind-protection plastic



Wall elements – 10 + 2 + 2 pc



Window elements + windows – 2 pc



Door element + door – 1 pc

Ready-made elements and simple construction allow for fast and easy assembly. Installation video for the Ly model can be viewed at www.palmako.com/eng/ly



Scan this QR-code to see assembling of Ly 13,6 m²!



Storage
Convenient to store large quantities outdoors; the model is kept in stock all year around.



Mounting foundation and floor boards
Treated foundation joists and 19 mm floor boards.
45 min



Installing rafters and roof boards
Ready-made rafters make roof installation easy and fast, roof boards are 19 mm.
1 h 30



Covering roof with felt or shingles
Roofing felt is the easiest and fastest way to protect the roof boards against the weather.
1 h



Unpacking and sorting building units
House kits are compact and contain all the needed accessories for assembly.
30 min



Installing wall elements
Ready made wall-elements, covered with wind-protection plastic inside.
1 h



Placing door and windows
Double glazed windows ensure good thermal resistance. All windows can be opened.
1 h



6–8 hours



WE HAVE A GREAT ALTERNATIVE TO THE TRADITIONAL GARDEN HOUSE!

These contemporary-style buildings with a Scandinavian look and quality are most suitable for a city garden. Palmako Nordic Houses represent our most modern and innovative pre-fabricated house models.

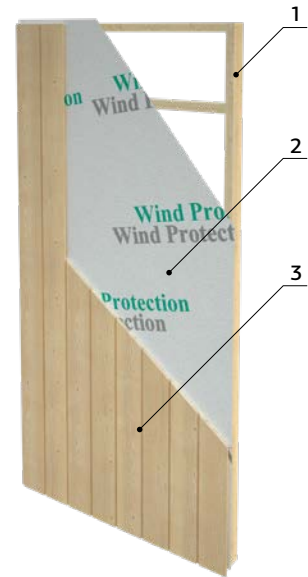
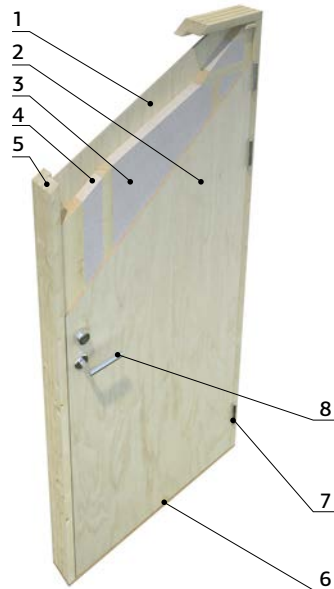
Ready-made wall elements are covered with wind-protection plastic inside, making these houses extremely weatherproof, especially rain and wind resistant. 70 mm frame construction is perfect for hiding cabling (wires, pipes, etc) as well as for the same thickness of insulation. All the houses have double thermo glazing and outwards-opening windows.

These models have 40 mm EPS (Expanded polystyrene) insulated doors, which makes them especially rain and wind resistant.

Total element thickness by Nordic houses is 88 mm. Here is a cross section of an element just to get better understanding of what these elements look like and consist of:

1. Plywood 10mm
2. Plywood 10mm
3. EPS 50 40mm insulation
4. Wooden skeleton 40x40mm
5. Wooden laminated frame 44x105mm
6. Hardwood 28x93mm threshold
7. Hinge 115x84x3mm (3x)
8. 565 lock and lock box

1. 34x70mm frame
2. Wind-protection plastic
3. 18mm fine sawn cladding



PALMAKO NORDIC HOUSE LY 13,6 m²

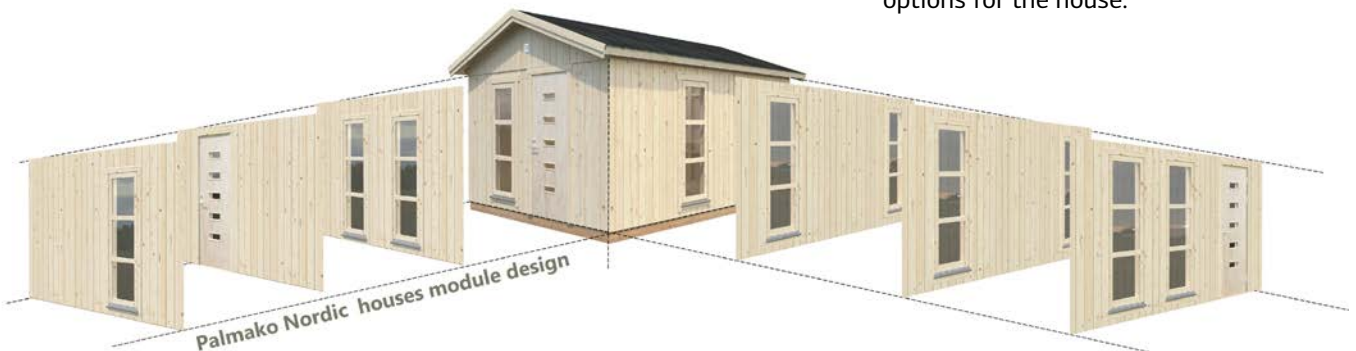
ARTICLE NUMBER: 101147



ONE SET – MANY HOUSES!

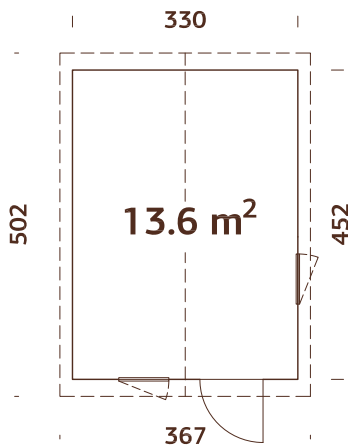
A model contains a set of wall and window-door elements, which can be rearranged in several ways.

This results in multiple appearance options for the house.



PALMAKO NORDIC HOUSE LY 13,6 m²

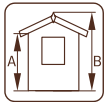
ARTICLE NUMBER: 101147



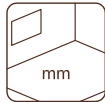
Door and window elements can be swapped.
 Double glazed.
 Ready-made wall elements
 with wind protection plastic!
 Trendy look! Fine-sawn cladding.



88 mm



A: 203 cm
 B: 297 cm



Included
 19 mm

MODEL SPECIFICATIONS

Wall measurements:

330x452 cm

Volume: 35,2 m³

Door/window type: Summer

Door/window glass:

Double glass, 3-9-3 mm

Window opening

measurements:

57x165 cm

Door opening

measurements: 78x191 cm

Door sill: hard wood

Roof boards: 19 mm

Roof area: 19,5 m²

Roof gradient: 20,0°

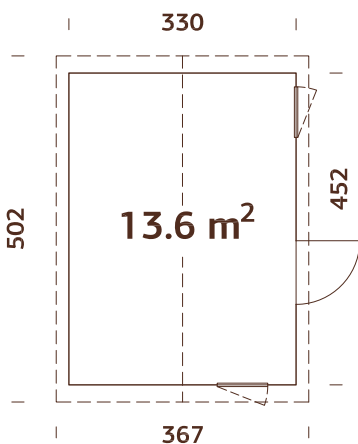
Gross ground area: 14,9 m²

OPTIONAL

Roofing felt (underlayer): 5 rolls, SBS roofing material: 5 rolls, shingles: 8 packs, roofing nails, rain gutters, additional door and window. See Optional Products p. 242-257 for details.

PALMAKO NORDIC HOUSE HEDWIG 13,6 m²

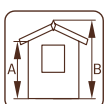
ARTICLE NUMBER: 101163



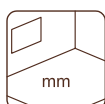
Door and window elements can be swapped.
 Double glazed.
 Ready-made wall elements
 with wind protection plastic!
 Trendy look! Fine-sawn cladding.



88 mm



A: 203 cm
 B: 297 cm



Included
 19 mm

MODEL SPECIFICATIONS

Wall measurements:

330x452 cm

Volume: 35,2 m³

Door/window type: Summer

Door/window glass:

Double glass, 3-9-3 mm

Window opening

measurements:

57x86 cm

Door opening

measurements: 78x191 cm

Door sill: hard wood

Roof boards: 19 mm

Roof area: 19,5 m²

Roof gradient: 20,0°

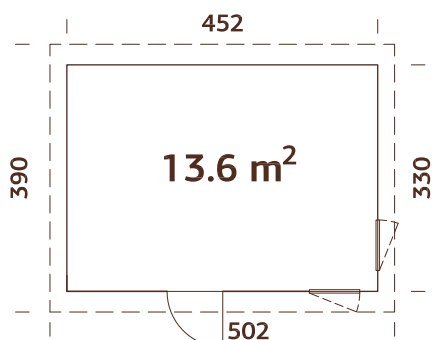
Gross ground area: 14,9 m²

OPTIONAL

Roofing felt (underlayer): 5 rolls, SBS roofing material: 5 rolls, shingles: 8 packs, roofing nails, rain gutters, additional door and window. See Optional Products p. 242-257 for details.

PALMAKO NORDIC HOUSE ETTA 13,6 m²

ARTICLE NUMBER: 101151



Door and window elements can be swapped.

Double glazed.

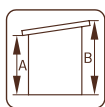
Ready-made wall elements

with wind protection plastic!

Trendy look! Fine-sawn cladding.

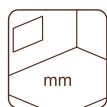


88 mm



A: 203 cm

B: 294 cm



Included

19 mm

MODEL SPECIFICATIONS

Wall measurements:

452x330 cm

Volume: 33,7 m³

Door/window type: Summer

Door/window glass:

Double glass, 3-9-3 mm

Window opening measurements:

57x165 cm

Door opening

measurements: 78x191 cm

Door sill: hard wood

Roof boards: 19 mm

Roof area: 19,7 m²

Roof gradient: 9,0°

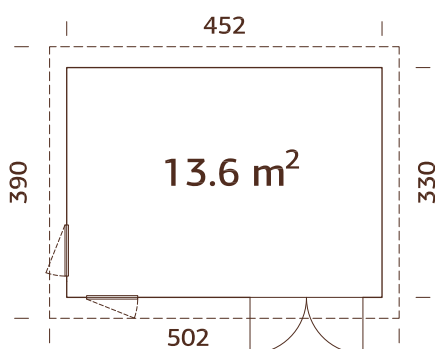
Gross ground area: 14,9 m²

OPTIONAL

Roofing felt (underlayer): 5 rolls, SBS roofing material: 5 rolls, roofing nails, rain gutters, additional door and window. See Optional Products p. 242-257 for details.

PALMAKO NORDIC HOUSE SIMONE 13,6 m²

ARTICLE NUMBER: 109000



Door and window elements can be swapped.

Double glazed.

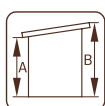
Ready-made wall elements with wind

protection plastic!

Trendy look! Fine-sawn cladding.

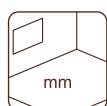


88 mm



A: 203 cm

B: 294 cm



Included

19 mm

MODEL SPECIFICATIONS

Wall measurements:

452x330 cm

Volume: 33,7 m³

Door/window type: Summer

Door/window glass:

Double glass, 3-9-3 mm

Window opening measurements:

54x162 cm

Door opening

measurements: 151x180 cm

Door sill: low, covered with

stainless steel

Roof boards: 19 mm

Roof area: 19,7 m²

Roof gradient: 9,0°

Gross ground area: 14,9 m²

OPTIONAL

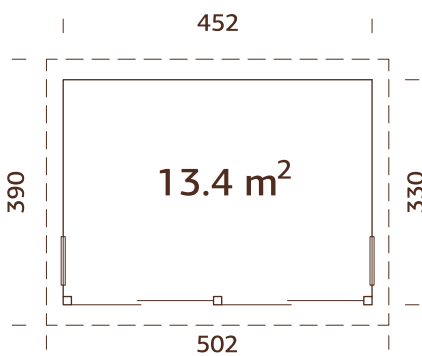
Roofing felt (underlayer): 5 rolls, SBS roofing material: 5 rolls, roofing nails, rain gutters, additional door and window. See Optional Products p. 242-257 for details.

PALMAKO NORDIC HOUSE ANNABEL 13,4 m²

ARTICLE NUMBER: 108994



Annabel 13,4 m² kit without sliding door
Article number: 109044



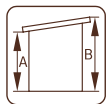
Double glazed.

Ready-made wall elements with wind protection plastic!

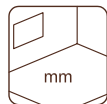
Trendy look! Fine-sawn cladding.



88 mm



A: 205 cm
B: 294 cm



Included
19 mm

MODEL SPECIFICATIONS

Wall measurements: 452x330 cm

Volume: 37,4 m³

Door: Sliding door set

Door glass: Toughened, 5 mm

Window type: Summer

Window glass:

Double glass, 3-9-3 mm

Window opening

measurements: 57x165 cm

Door opening

measurements: 96x196 cm

Roof boards: 19 mm

Roof area: 20,0 m²

Roof gradient: 9,0°

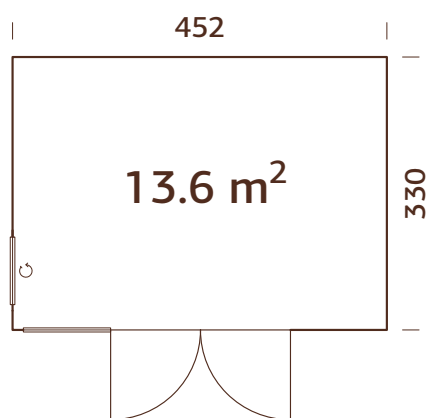
Gross ground area: 15,1 m²

OPTIONAL

Roofing felt (underlayer): 3 rolls, SBS roofing material: 3 rolls, roofing nails, rain gutters, additional door and window. See Optional Products p. 242-257 for details.

PALMAKO NORDIC HOUSE SOLVEIG 13,6 m²

ARTICLE NUMBER: 101203



MODEL SPECIFICATIONS

Wall measurements: 452x330 cm

Volume: 30,2 m³

Door/window type: Summer

Door/window glass:

Double toughened glass, 4-9-4 mm

Window opening measurements:

82x198 cm

Fixed window, measurements:

88x198 cm

Door opening measurements:

207x203 cm

Door sill: hard wood

Roof boards: 19 mm

Roof area: 15,5 m²

Roof gradient: 1,4°

Rain gutters: Included

Gross ground area: 14,9 m²

Door and window elements can be swapped. Double glazed.

Can be built in reverse!

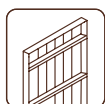
Ready-made wall elements

with wind protection plastic!

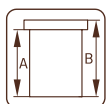
Trendy look! Fine-sawn cladding.

Ceiling boards included.

Metal roof edge included.

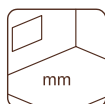


88 mm



A: 238 cm

B: 281 cm



Included

28 mm

OPTIONAL

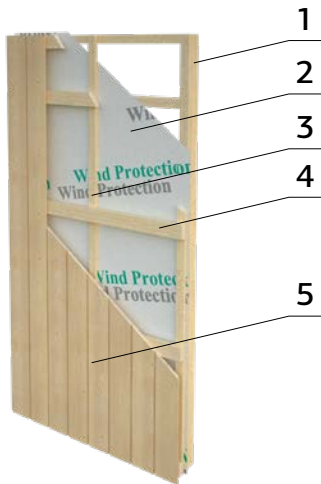
EPDM, additional door and window.

See Optional Products p. 242-257 for details.

PRE-FABRICATED PALMAKO NORDIC+ HOUSES WITH ELEMENT THICKNESS OF 160 MM

These Scandinavian-style houses are suitable for any garden that lacks strong, weather-resistant buildings where you can be with your family and friends. Feel free to take your time and delve into the following pages of our best choice of modern, pre-fabricated Nordic+ houses.

Ready-made wall elements are covered with wind-protection plastic inside, making these houses extremely weatherproof, especially rain and wind-resistant. It is comfortable to be in a building when it is warm - we have thought about it and given you an opportunity for 95 mm insulation. You can insulate walls, floors and ceilings. For better house ventilation we have added ventilation battens under the cladding. All the houses have double thermo glazing and outwards-opening windows. These models have 40 mm EPS (expanded polystyrene) insulated doors.



Total element thickness of Nordic+ houses is 160 mm. Here is a cross section of an element just to get a better understanding of what these elements look like and consist of:

1. 44x95mm frame
2. Wind-protection plastic
3. 19x45mm ventilation battens
4. 28x70mm cladding support battens
5. 18mm fine sawn cladding

One set – many houses!

A model contains set of wall and window-door elements, which can be rearranged in several ways. This results in multiple appearance options for the house.

PALMAKO NORDIC+ HOUSE CHARLOTTE 21,5 m²

ARTICLE NUMBER: 101253



CHARLOTTE OPTION 1



CHARLOTTE OPTION 2



CHARLOTTE OPTION 3

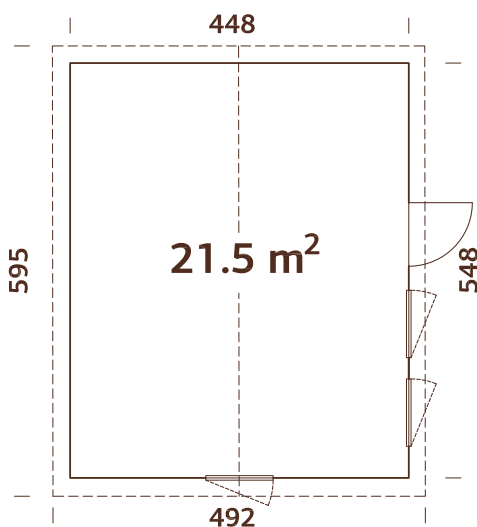


CHARLOTTE OPTION 4



PALMAKO NORDIC+ HOUSE CHARLOTTE 21,5 m²

ARTICLE NUMBER: 101253



MODEL SPECIFICATIONS

Wall measurements:

448x548 cm

Volume: 55,4 m³

Door/window type: Summer

Door/window glass:

Double glass, 3-9-3 mm

Window opening

measurements:

57x165, 69x38 cm

Door opening measurements:

78x191 cm

Door sill: hard wood

Roof boards: 19 mm

Roof area: 30,4 m²

Roof gradient: 20,0°

Gross ground area: 24,6 m²

OPTIONAL

Roofing felt (underlayer): 7 rolls, SBS roofing material: 7 rolls, shingles: 13 packs, roofing nails, rain gutters, canopy roof, additional door and window. See Optional Products p. 242-257 for details.

Door and window elements can be swapped.

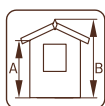
Double glazed.

Trendy look! Fine-sawn cladding.

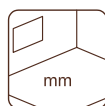
Ready-made wall elements with wind protection plastic!



160 mm



A: 216 cm
B: 326 cm



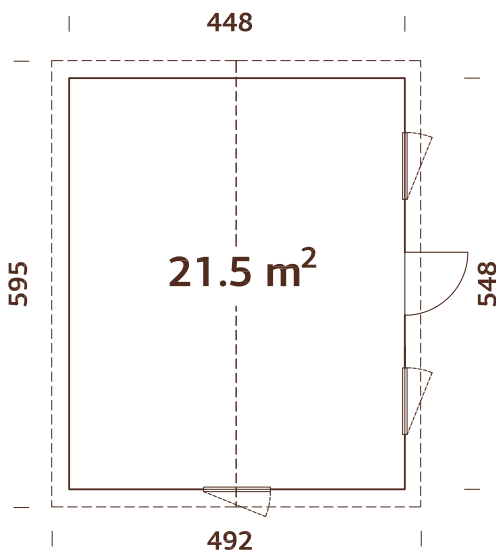
Included
19 mm



Canopy roof as an optional extra.

PALMAKO NORDIC+ HOUSE PERNILLA 21,5 m²

ARTICLE NUMBER: 101261



MODEL SPECIFICATIONS

Wall measurements:

448x548 cm

Volume: 55,4 m³

Door/window type: Summer

Door/window glass:

Double glass, 3-9-3 mm

Window opening

measurements:

69x38 cm, 69x86 cm

Door opening

measurements: 78x181 cm

Door sill: hard wood

Roof boards: 19 mm

Roof area: 30,4 m²

Roof gradient: 20,0°

Gross ground area: 24,6 m²

OPTIONAL

Roofing felt (underlayer): 7 rolls, SBS roofing material: 7 rolls, shingles:

13 packs, roofing nails, rain gutters, canopy roof, additional door and window.

See Optional Products p. 242-257 for details.

Door and window elements can be swapped.

Double glazed.

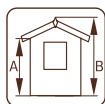
Trendy look! Fine-sawn cladding.

Ready-made wall elements with wind

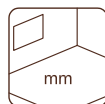
protection plastic!



160 mm



A: 216 cm
B: 326 cm



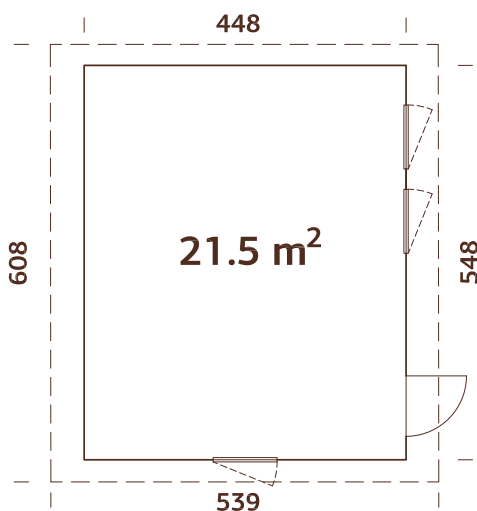
Included
19 mm



Canopy roof as an optional extra.

PALMAKO NORDIC+ HOUSE ANNIKA 21,5 m²

ARTICLE NUMBER: 101257



MODEL SPECIFICATIONS

Wall measurements:

448x548 cm

Volume: 55,0 m³

Door/window type: Summer

Door/window glass:

Double glass, 3-9-3 mm

Window opening

measurements: 57x165 cm

Door opening

measurements: 78x191 cm

Door sill: hard wood

Roof boards: 19 mm

Roof area: 33,2 m²

Roof gradient: 7,0°

Gross ground area: 24,6 m²

OPTIONAL

Roofing felt (underlayer): 6 rolls, SBS roofing material: 6 rolls, roofing nails, rain gutters, additional door and window, additional door and window. See Optional Products p. 242-257 for details.

Door and window elements can be swapped.

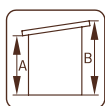
Double glazed.

Trendy look! Fine-sawn cladding.

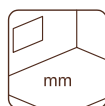
Ready-made wall elements with wind protection plastic!



160 mm



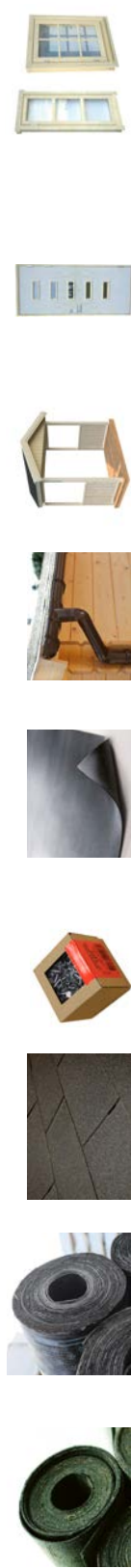
A: 216 cm
B: 311 cm



Included
19 mm

OPTIONAL PRODUCTS

SEE OPTIONAL PRODUCTS, PAGES 242-257



House	Art. No.	Roofing felt, rolls	SBS roofing material, rolls	Shingles ¹ , packs	Roofing nails, 1 kg	EPDM ²	Rain gutters	Canopy roof	Additional door	Additional window
Ly 13,6 m ²	101147	107210 5 rolls	107214 5 rolls	8 packs	107930		106632		107325	103309
Hedwig 13,6 m ²	101163	107210 5 rolls	107214 5 rolls	8 packs	107930		106632		109058	103310
Ertta 13,6 m ²	101151	107210 5 rolls	107214 5 rolls		107930		107375		107325	103309
Simone 13,6 m ²	109000	107210 5 rolls	107214 5 rolls		107930		107375		106793	107289
Annabel 13,4 m ²	108994	107210 3 rolls	107214 3 rolls		107930		107375		109176	109172
Annabel 13,4 m ² Kit	109044	107210 3 rolls	107214 3 rolls		107930		107375			109172
Solveig 13,6 m ²	101203					107166	Incl.		106932	100188 100187
Charlotte 21,5 m ²	101253	107210 7 rolls	107214 7 rolls	13 packs	107930		106632	108623	107325	107289 107297
Permillia 21,5 m ²	101261	107210 7 rolls	107214 7 rolls	13 packs	107930		106632	108623	107329	107295 107297
Annika 21,5 m ²	101257	107210 6 rolls	107214 6 rolls		107930		106626 + 106627		107325	107289

¹ Shingles are available in different colours - 107180 = Black, 107182 = Red, 107183 = Green, 107181 = Brown.

² Includes glue for EPDM installation. Read more about EPDM p. 249.