



FENCE

FENCE



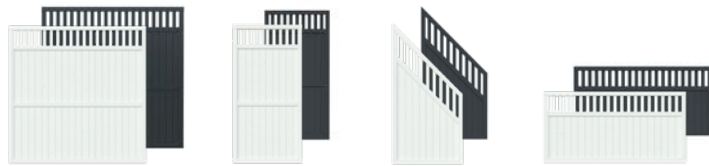
PALMAKO FENCE PANEL NORA 1 PALMAKO FENCE PANEL NORA 2 PALMAKO FENCE PANEL NORA 3 PALMAKO FENCE PANEL NORA 4 PALMAKO FENCE PANEL NORA 6



PALMAKO FENCE PANEL NINA 1 PALMAKO FENCE PANEL NINA 2 PALMAKO FENCE PANEL NINA 3 PALMAKO FENCE PANEL NINA 4 PALMAKO FENCE PANEL NINA 6



PALMAKO FENCE PANEL REENA 1 PALMAKO FENCE PANEL REENA 2 PALMAKO FENCE PANEL REENA 3 PALMAKO FENCE PANEL REENA 4 PALMAKO FENCE PANEL REENA 6 PALMAKO FENCE PANEL REENA 7 PALMAKO FENCE PANEL REENA 8



PALMAKO FENCE PANEL ELKE 1 PALMAKO FENCE PANEL ELKE 2 PALMAKO FENCE PANEL ELKE 3 PALMAKO FENCE PANEL ELKE 4



PALMAKO FENCE PANEL HELIS 1 PALMAKO FENCE PANEL HELIS 2 PALMAKO FENCE PANEL HELIS 3 PALMAKO FENCE PANEL HELIS 4 PALMAKO FENCE PANEL HELIS 6 PALMAKO FENCE PANEL HELIS 7 PALMAKO FENCE PANEL HELIS 8



PALMAKO FENCE PANEL MARIT 1 PALMAKO FENCE PANEL MARIT 2 PALMAKO FENCE PANEL MARIT 3 PALMAKO FENCE PANEL MARIT 4 PALMAKO FENCE PANEL MARIT 6 PALMAKO FENCE PANEL MARIT 7 PALMAKO FENCE PANEL MARIT 8



PALMAKO FENCE PANEL KARINA 1 PALMAKO FENCE PANEL KARINA 2 PALMAKO FENCE PANEL KARINA 3 PALMAKO FENCE PANEL KARINA 4 PALMAKO FENCE PANEL KARINA 6



PALMAKO FENCE PANEL JANET 1 PALMAKO FENCE PANEL JANET 2 PALMAKO FENCE PANEL BIRGIT 2 PALMAKO SOLID WOOD POSTS



PALMAKO FENCE
ELEMENT LOVISA 10



PALMAKO FENCE
ELEMENT LUISE 10



PALMAKO FENCE
ELEMENT LOORE 10



PALMAKO FENCE
ELEMENT KELDA 8



PALMAKO FENCE
ELEMENT KELDA 10



PALMAKO GATE
LOVISA 10



PALMAKO GATE
LUISE 10



PALMAKO GATE
LOORE 10



PALMAKO GATE
KELDA 8



PALMAKO GATE
KELDA 10



PALMAKO FENCE FOR
TERRACE SIRI 11



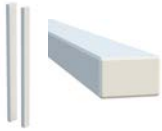
PALMAKO FENCE FOR
STAIRS SIRI 17



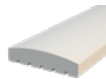
PALMAKO FENCE FOR
TERRACE SIRI 11 GLASS



PALMAKO FENCE FOR
TERRACE SIRI 6 GLASS



PALMAKO POSTS FOR
TERRACE FENCE



PALMAKO HANDRAILS
FOR TERRACE FENCE



PALMAKO FENCE PANEL
LAUREEN



PALMAKO GLUED
LAMINATED POSTS



PALMAKO POSTSAVER
PROTECTED POSTS



PALMAKO PREMIUM
MACHINE ROUNDED POSTS



PALMAKO PREMIUM
MACHINE ROUNDED POLES

CREATE YOUR OWN GARDEN STORY WITH PALMAKO FENCE PANELS

If your garden misses elegant and airy fence panels, be ready to meet our Fence panels selection. Surrounding your city garden or terrace with fence panels is so easy and refreshing way to give your favourite place to be a unique and modern look.

We have nine different designs within our fence panels collection so you can pick your favourite or why not to combine different designs according your needs. All our fence panels have 33x57 mm frame which makes them easily manageable and show your garden has been nicely taken care of.

Please get familiar with designs as follows:



Nora

Vertical with rail in the middle.



Nina

Horizontal with gaps.



Reena

Vertical with rail in the middle. Horizontal trellis.



Elke

Vertical with rail in the middle. Vertical trellis.



Helis

Horizontal with gaps and two vertical rails. Vertical trellis with one cross.



Marit

Horizontal with gaps and two vertical rails. Vertical trellis with three crosses.



Karina

Vertical with rail in the middle. Vertical trellis with three crosses.



Janet

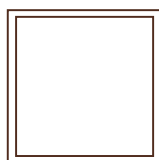
Vertical boards with 6 mm bright toughened glass.



Birgit

6 mm bright toughened glass in a solid wood frame.

Depending on model, one can choose between seven dimensions:



1800x1800 mm



900x1800 mm



900x1800/900 mm



1800x900 mm



1800x500 mm



900x1500 mm



900x1500/900 mm

And depending on model one can choose between different treatments which suits the best into the garden interior:



grey pressure-treated



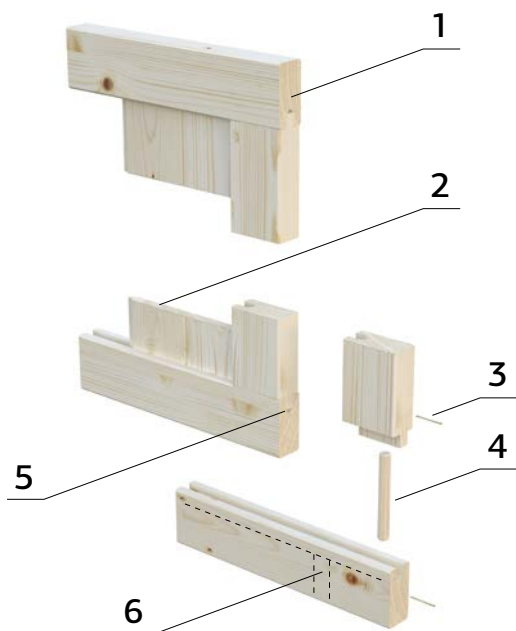
green pressure-treated



primer+white painted 2 layers
(RAL 9016)



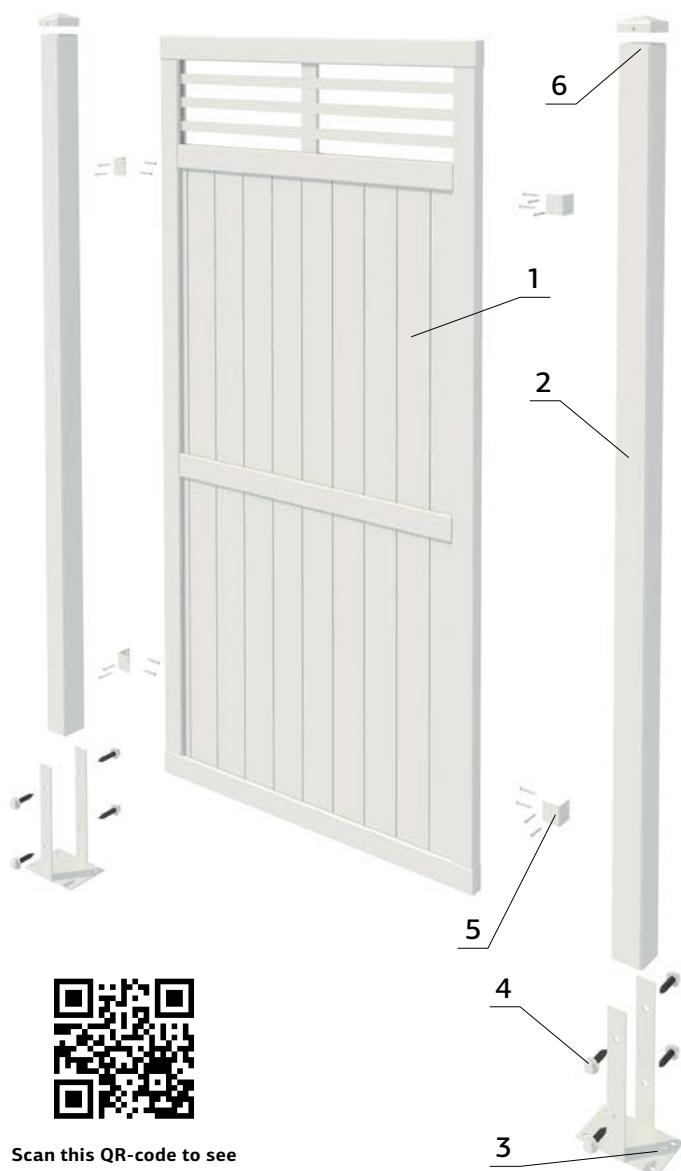
primer+grey painted 2 layers
(RAL7016)



1. Frame profile 33x57 mm
2. Board profile 12x95 mm
3. Brad nails
4. Dowel 10x130 mm
5. Water channel
6. Drainage hole to let out any built up moisture or water

All our fence panels can be easily assembled. If you look at the visual of assembling a fence panel below, you will see which products you need and how to assemble them together.

See Optional Products on p. 223 for details.



1. Fence panel
2. Post
3. Post leg
4. Screws
5. L-type fastening brackets
6. Post cap

Fixings to the ground should be done properly according to the foundation. Please get appropriate fixing items from the DIY-store.



Scan this QR-code to see the assembly of Palmako Fence Panels!

All fence panels are made of Nordic spruce which is dense, strong, durable and has small knots.

PALMAKO FENCE PANELS NORA

NEW!

SPECIES: SPRUCE



Panel name	Nora 1	Nora 2	Nora 3	Nora 4	Nora 6
Article number	● 109488 ● 109489	● 109485 ● 109486	● 109476 ● 109477	● 109482 ● 109483	● 109479 ● 109480
Panel measurements, width x height	1800x1800 mm	900x1800 mm	900x1800/900 mm	1800x900 mm	1800x1500 mm
Frame profile	33x57 mm	33x57 mm	33x57 mm	33x57 mm	33x57 mm
Board profile	12x95 mm	12x95 mm	12x95 mm	12x95 mm	12x95 mm

SOLID WOOD POSTS



All the posts are chamfered on one end.

Article number	● 100854 ● 100856	● 100860 ● 100862	● 100866 ● 100868	● 100872 ● 100874
Profile	70x70 mm	70x70 mm	70x70 mm	70x70 mm
Length	1000 mm	1300 mm	1600 mm	1900 mm

OPTIONAL

Post legs and fence panel fixing assembly kits. See Optional Products p. 242-257 for details.

TREATMENT OPTIONS



GYVPI

grey pressure-treated



WTPNT1+2

primer + white painted 2 layers (RAL 9016)

PALMAKO FENCE PANELS NINA

SPECIES: SPRUCE



Panel name	Nina 1	Nina 2	Nina 3	Nina 4	Nina 6
Article number	● 109533 ● 109534 ● 109535	● 109472 ● 109473 ● 109474	● 109468 ● 109469 ● 109470	● 109464 ● 109465 ● 109466	● 109461 ● 109462
Panel measurements, width x height	1800x1800 mm	900x1800 mm	900x1800/900 mm	1800x900 mm	1800x1500 mm
Frame profile	33x57 mm	33x57 mm	33x57 mm	33x57 mm	33x57 mm
Board profile	12x57 mm	16x57 mm	12x57 mm	12x57 mm	12x57 mm

GLUED LAMINATED POSTS



All the posts are chamfered on one end.

OPTIONAL

Post legs and fence panel fixing assembly kits.
See Optional Products p. 242-257 for details.

Article number	● 100854 ● 100856 ● 108644	● 108655	● 100860 ● 100862	● 100866 ● 100868	● 100872 ● 100874 ● 108645	● 108656
Profile	70x70 mm	90x90 mm	70x70 mm	70x70 mm	70x70 mm	90x90 mm
Length	1000 mm	1000 mm	1300 mm	1600 mm	1900 mm	1900 mm

TREATMENT OPTIONS



GYVPI

grey pressure-treated



WTPNT1+2

primer + white painted 2 layers (RAL 9016)



GYPNT1+2

primer + grey painted 2 layers (RAL7016)

PALMAKO FENCE PANELS REENA

SPECIES: SPRUCE



Panel name	Reena 1	Reena 2	Reena 3	Reena 4	Reena 6	Reena 7	Reena 8
Article number	● 100523 ● 100525 ● 108961	● 100396 ● 100398 ● 108962	● 100402 ● 100404 ● 108963	● 100439 ● 100441 ● 108964	● 100483	● 100356	● 100350
Panel measurements, width x height	1800x1800 mm	900x1800 mm	900x1800/900 mm	1800x900 mm	1800x1500 mm	900x1500 mm	900x1500/900 mm
Frame profile	33x57 mm	33x57 mm	33x57 mm	33x57 mm	33x57 mm	33x57 mm	33x57 mm
Board profile	12x95 mm	12x95 mm	12x95 mm	12x95 mm	12x95 mm	12x95 mm	12x95 mm
Trellis profile	12x45 mm	12x45 mm	12x45 mm	12x45 mm	12x45 mm	12x45 mm	12x45 mm

SOLID WOOD POSTS



All the posts are chamfered on one end.

Article number	● 100854 ● 100856 ● 108644	● 108655	● 100860 ● 100862	● 100866 ● 100868	● 100872 ● 100874 ● 108645	● 108656
Profile	70x70 mm	90x90 mm	70x70 mm	70x70 mm	70x70 mm	90x90 mm
Length	1000 mm	1000 mm	1300 mm	1600 mm	1900 mm	1900 mm

OPTIONAL

Post legs and fence panel fixing assembly kits. See Optional Products p. 242-257 for details.

TREATMENT OPTIONS



GYVPI

grey pressure-treated



WTPNT1+2

primer + white painted 2 layers (RAL 9016)

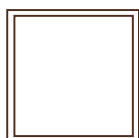


GYPNT1+2

primer + grey painted 2 layers (RAL7016)

PALMAKO FENCE PANELS ELKE

SPECIES: SPRUCE



Panel name	Elke 1	Elke 2	Elke 3	Elke 4
Article number	● 100513 ● 108625	● 100386 ● 108626	● 100368 ● 108627	● 107231 ● 108628
Panel measurements, width x height	1800x1800 mm	900x1800 mm	900x1800/900 mm	1800x900 mm
Frame profile	33x57 mm	33x57 mm	33x57 mm	33x57 mm
Board profile	12x95 mm	12x95 mm	12x95 mm	12x95 mm
Trellis profile	12x45 mm	12x45 mm	12x45 mm	12x45 mm

SOLID WOOD POSTS



All the posts are chamfered on one end.

Article number	● 100856 ● 108644	● 108655	● 100862	● 100868	● 100874 ● 108645	● 108656
Profile	70x70 mm	90x90 mm	70x70 mm	70x70 mm	70x70 mm	90x90 mm
Length	1000 mm	1000 mm	1300 mm	1600 mm	1900 mm	1900 mm

OPTIONAL

Post legs and fence panel fixing assembly kits. See Optional Products p. 242-257 for details.

TREATMENT OPTIONS



WTPNT1+2

primer + white painted 2 layers (RAL 9016)



GYPNT1+2

primer + grey painted 2 layers (RAL7016)

PALMAKO FENCE PANELS HELIS

SPECIES: SPRUCE



Panel name	Helis 1	Helis 2	Helis 3	Helis 4	Helis 6	Helis 7	Helis 8
Article number	<ul style="list-style-type: none"> ● 100493 ● 100495 ● 100492 ● 108965 	<ul style="list-style-type: none"> ● 100372 ● 100374 ● 100371 ● 108966 	<ul style="list-style-type: none"> ● 100378 ● 100380 ● 100377 ● 108967 	<ul style="list-style-type: none"> ● 100414 ● 100416 ● 100413 ● 108968 	<ul style="list-style-type: none"> ● 100445 ● 100447 ● 100444 	<ul style="list-style-type: none"> ● 100318 ● 100320 ● 100317 	<ul style="list-style-type: none"> ● 100312 ● 100314 ● 100311
Panel measurements, width x height	1800x1800 mm	900x1800 mm	900x1800/900 mm	1800x900 mm	1800x1500 mm	900x1500 mm	900x1500/900 mm
Frame profile	33x57 mm	33x57 mm	33x57 mm	33x57 mm	33x57 mm	33x57 mm	33x57 mm
Board profile	12x95 mm	12x95 mm	12x95 mm	12x95 mm	12x95 mm	12x95 mm	12x95 mm
Trellis profile	12x45 mm	12x45 mm	12x45 mm	12x45 mm	12x45 mm	12x45 mm	12x45 mm

SOLID WOOD POSTS



All the posts are chamfered on one end.

Article number	<ul style="list-style-type: none"> ● 100854 ● 100856 ● 100853 ● 108644 	<ul style="list-style-type: none"> ● 100860 ● 100862 ● 100859 ● 108655 	<ul style="list-style-type: none"> ● 100866 ● 100868 ● 100865 	<ul style="list-style-type: none"> ● 100872 ● 100874 ● 100871 ● 108645 	<ul style="list-style-type: none"> ● 108656 	
Profile	70x70 mm	90x90 mm	70x70 mm	70x70 mm	70x70 mm	90x90 mm
Length	1000 mm	1000 mm	1300 mm	1600 mm	1900 mm	1900 mm

TREATMENT OPTIONS



GYVPI
grey pressure-treated



WTPNT1+2
primer + white painted 2 layers (RAL 9016)



GNVPI
green pressure-treated



GYPNT1+2
primer + grey painted 2 layers (RAL7016)

OPTIONAL

Post legs and fence panel fixing assembly kits.
See Optional Products p. 242-257 for details.

PALMAKO FENCE PANELS MARIT

SPECIES: SPRUCE



Panel name	Marit 1	Marit 2	Marit 3	Marit 4	Marit 6	Marit 7	Marit 8
Article number	● 100507	● 100374	● 100380	● 100428	● 100465	● 100320	● 100314
Panel measurements, width x height	1800x1800 mm	900x1800 mm	900x1800/900 mm	1800x900 mm	1800x1500 mm	900x1500 mm	900x1500/900 mm
Frame profile	33x57 mm	33x57 mm	33x57 mm	33x57 mm	33x57 mm	33x57 mm	33x57 mm
Board profile	12x95 mm	12x95 mm	12x95 mm	12x95 mm	12x95 mm	12x95 mm	12x95 mm
Trellis profile	12x45 mm	12x45 mm	12x45 mm	12x45 mm	12x45 mm	12x45 mm	12x45 mm

SOLID WOOD POSTS



All the posts are chamfered on one end.

Article number	● 100856	● 100862	● 100868	● 100874
Profile	70x70 mm	70x70 mm	70x70 mm	70x70 mm
Length	1000 mm	1300 mm	1600 mm	1900 mm

TREATMENT OPTIONS

WTPNT1+2

primer + white painted 2 layers (RAL 9016)

OPTIONAL

Post legs and fence panel fixing assembly kits. See Optional Products p. 242-257 for details.

PALMAKO FENCE PANELS KARINA

SPECIES: SPRUCE



Panel name	Karina 1	Karina 2	Karina 3	Karina 4	Karina 6
Article number	● 100499 ● 100501	● 100362	● 100368	● 100420 ● 100422	● 100457 ● 100459
Panel measurements, width x height	1800x1800 mm	900x1800 mm	900x1800/900 mm	1800x900 mm	1800x1500 mm
Frame profile	33x57 mm	33x57 mm	33x57 mm	33x57 mm	33x57 mm
Board profile	12x95 mm	12x95 mm	12x95 mm	12x95 mm	12x95 mm
Trellis profile	12x45 mm	12x45 mm	12x45 mm	12x45 mm	12x45 mm

SOLID WOOD POSTS



All the posts are chamfered on one end.

Article number	● 100854 ● 100856	● 100860 ● 100862	● 100866 ● 100868	● 100872 ● 100874
Profile	70x70 mm	70x70 mm	70x70 mm	70x70 mm
Length	1000 mm	1300 mm	1600 mm	1900 mm

OPTIONAL

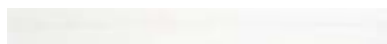
Post legs and fence panel fixing assembly kits. See Optional Products p. 242-257 for details.

TREATMENT OPTIONS



GYVPI

grey pressure-treated



WTPNT1+2

primer + white painted 2 layers (RAL 9016)

PALMAKO FENCE PANELS JANET / BIRGIT

SPECIES: SPRUCE



JANET 1

JANET 2

BIRGIT 2

Panel name	Janet 1	Janet 2	Birgit 2
Article number	● 107663	● 107669	● 107675
Panel measurements, width x height	1800x1800 mm	900x1800 mm	900x1800 mm
Frame profile	33x57 mm	33x57 mm	33x57 mm
Board profile	12x85 mm	12x85 mm	

Can be combined with other fence panels series, see p. 206-212.

These fence panels have 6 mm toughened glass.

OPTIONAL

Post legs and fence panel fixing assembly kits. See Optional Products p. 242-257 for details.

SOLID WOOD POSTS



All the posts are chamfered on one end.

Article number	● 100856	● 100862	● 100868	● 100874
Profile	70x70 mm	70x70 mm	70x70 mm	70x70 mm
Length	1000 mm	1300 mm	1600 mm	1900 mm

TREATMENT OPTIONS

WTPNT1+2

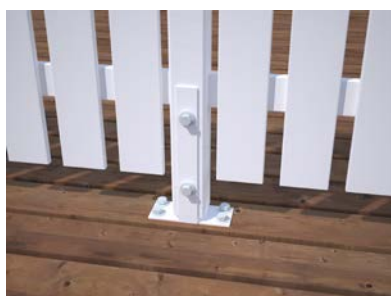
primer + white painted 2 layers (RAL 9016)

ASSEMBLING FENCE ELEMENT AND TERRACE FENCE

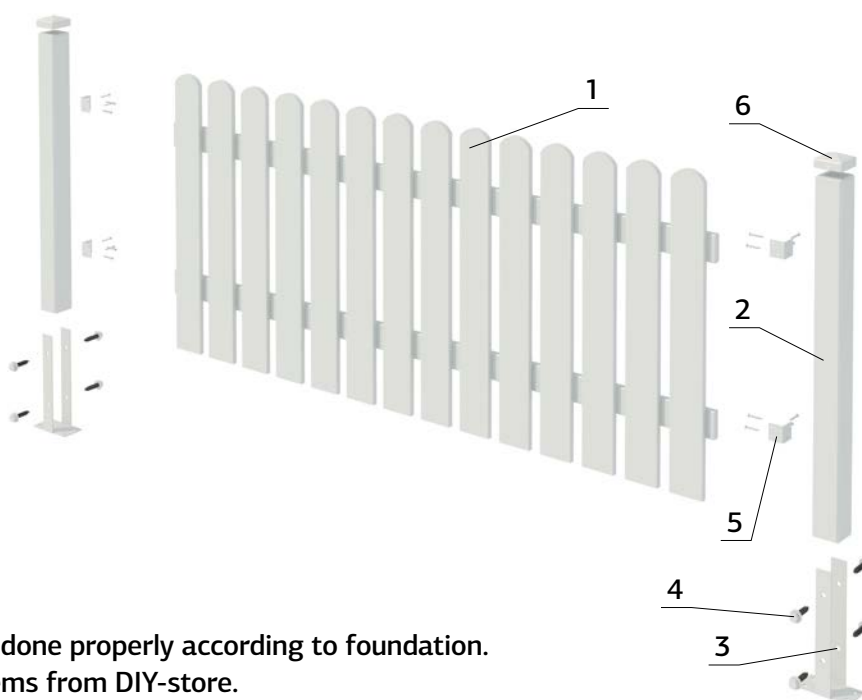
All our fence elements and terrace fences can be easily assembled. If you look at the visuals for the assembly of a fence element or terrace fence below, you will see which products you need and how to assemble them together.

See Optional Products on p. 223 for details.

ASSEMBLING A FENCE ELEMENT



1. Element
2. Post
3. Post leg
4. Screws
5. L-type fastening brackets
6. Post cap

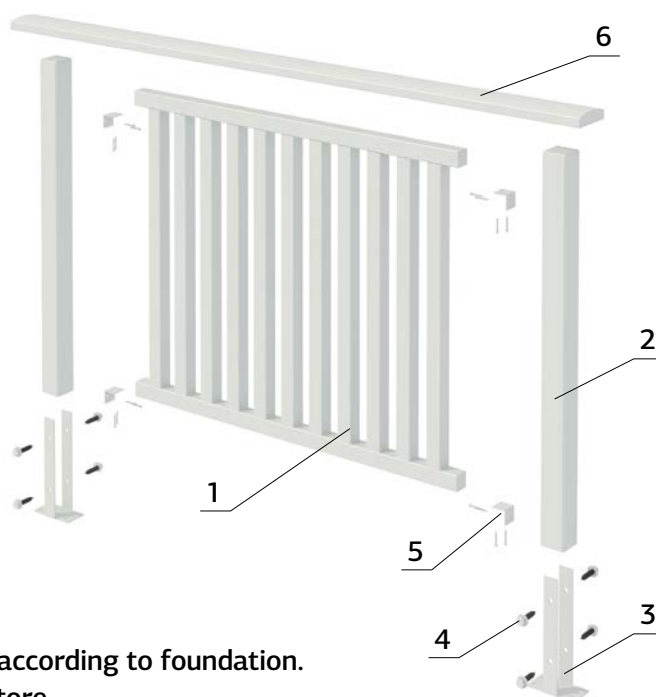


Fixings to the ground should be done properly according to foundation.
Please get appropriate fixing items from DIY-store.

ASSEMBLING A TERRACE FENCE



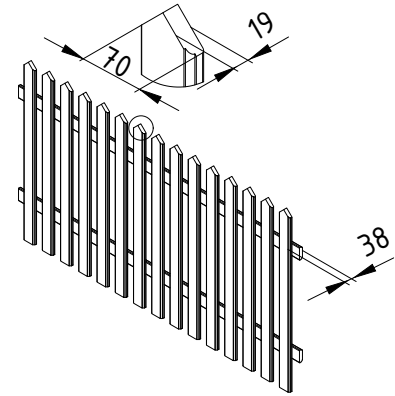
1. Terrace fence
2. Post
3. Post leg
4. Screws
5. L-type fastening brackets
6. Handrail



Fixings to the ground should be done properly according to foundation.
Please get appropriate fixing items from DIY-store.

PALMAKO FENCE ELEMENT LOVISA 10

ARTICLE NUMBER: 108639



MODEL SPECIFICATIONS

Element measurements,
width x height: 1800x1000 mm

Depth: 38 mm

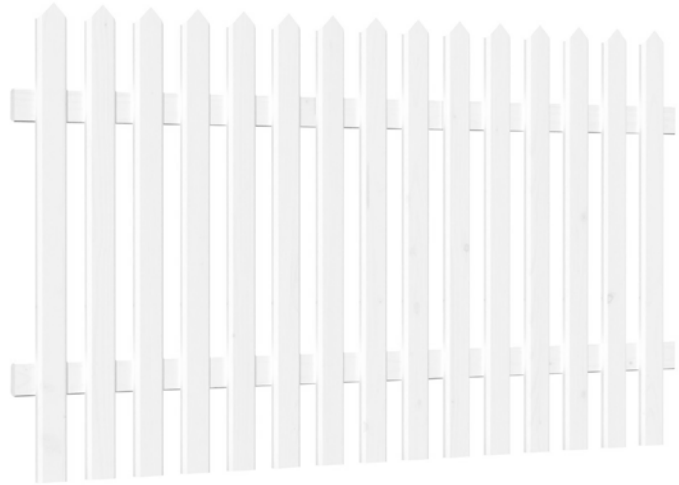
Palisade profile: 19x70 mm

TREATMENT OPTIONS



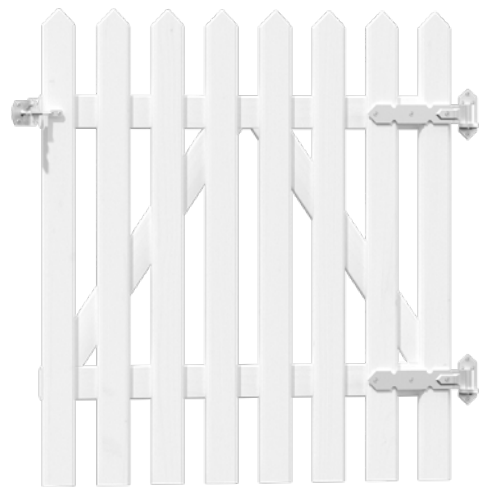
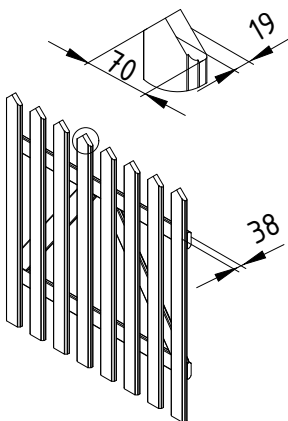
108639

primer + white painted 2 layers (RAL 9016)



PALMAKO GATE LOVISA 10

ARTICLE NUMBER: 109035



TREATMENT OPTIONS



109035

primer + white painted 2 layers (RAL 9016)

OPTIONAL

Fence gate hardware kit. See Optional Products p. 242-257 for details.

MODEL SPECIFICATIONS

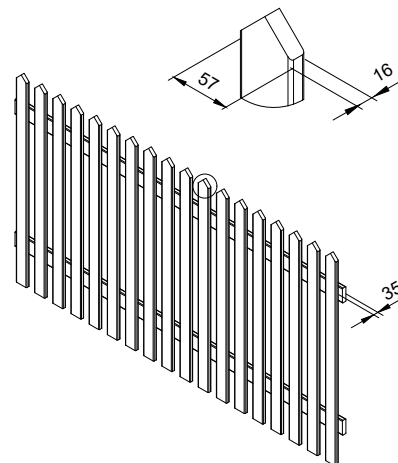
Element measurements,
width x height: 900x1000 mm

Depth: 38 mm

Palisade profile: 19x70 mm

PALMAKO FENCE ELEMENT LUISE 10

ARTICLE NUMBER: 100547 / 100549



MODEL SPECIFICATIONS

Element measurements,
width x height: 1800x1000 mm
Depth: 35 mm
Palisade profile: 16x57 mm

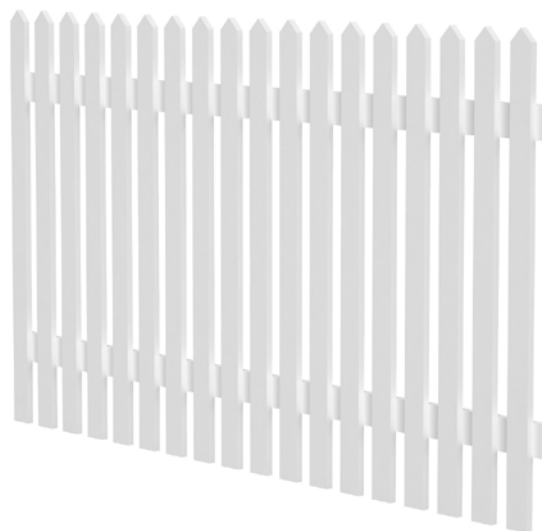
TREATMENT OPTIONS



100547
 grey pressure-treated

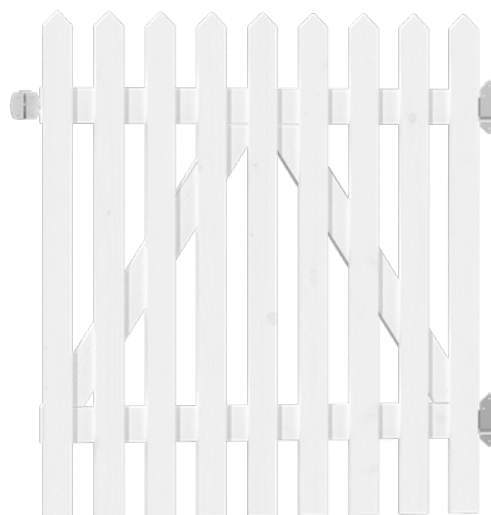
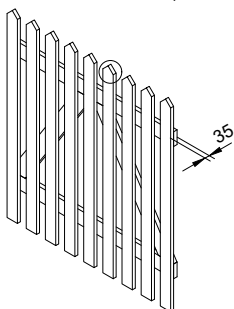
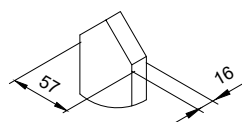


100549
 primer+white painted 2 layers (RAL 9016)



PALMAKO GATE LUISE 10

ARTICLE NUMBER: 107911 / 107913



TREATMENT OPTIONS



107911
 grey pressure-treated



107913
 primer + white painted 2 layers (RAL 9016)

OPTIONAL

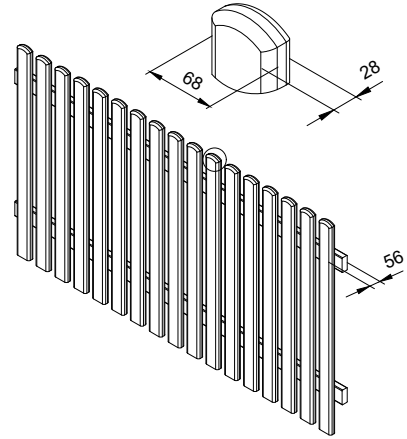
Fence gate hardware kit. See Optional Products p. 242-257 for details.

MODEL SPECIFICATIONS

Element measurements,
width x height: 900x1000 mm
Depth: 35 mm
Palisade profile: 16x57 mm

PALMAKO FENCE ELEMENT LOORE 10

ARTICLE NUMBER: 100567



MODEL SPECIFICATIONS

Element measurements,
width x height: 1800x1000 mm
Depth: 56 mm
Palisade profile: 28x68 mm

TREATMENT OPTIONS



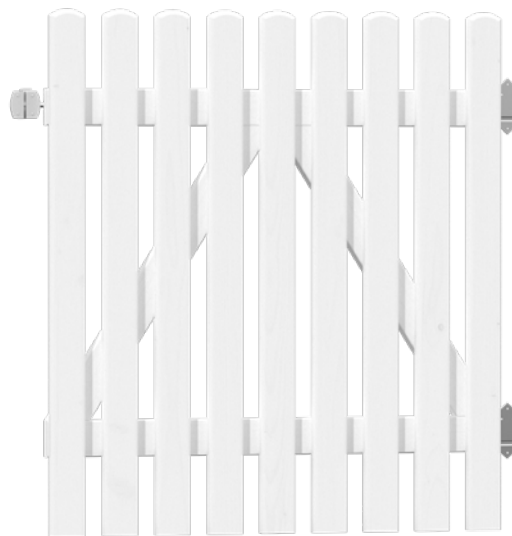
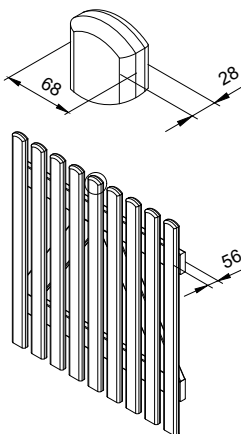
100567

primer+white painted 2 layers (RAL 9016)

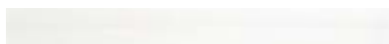


PALMAKO GATE LOORE 10

ARTICLE NUMBER: 107919



TREATMENT OPTIONS



107919

primer + white painted 2 layers (RAL 9016)

OPTIONAL

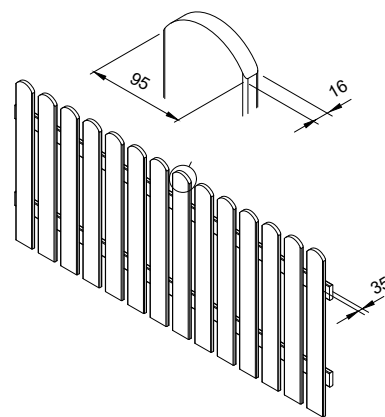
Fence gate hardware kit. See Optional Products p. 242-257 for details.

MODEL SPECIFICATIONS

Element measurements,
width x height: 900x1000 mm
Depth: 56 mm
Palisade profile: 28x68 mm

PALMAKO FENCE ELEMENT KELDA 8

ARTICLE NUMBER: 100535 / 100537



MODEL SPECIFICATIONS

Element measurements,

width x height: 1800x800 mm

Depth: 35 mm

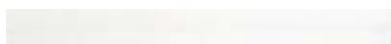
Palisade profile: 16x95 mm

TREATMENT OPTIONS



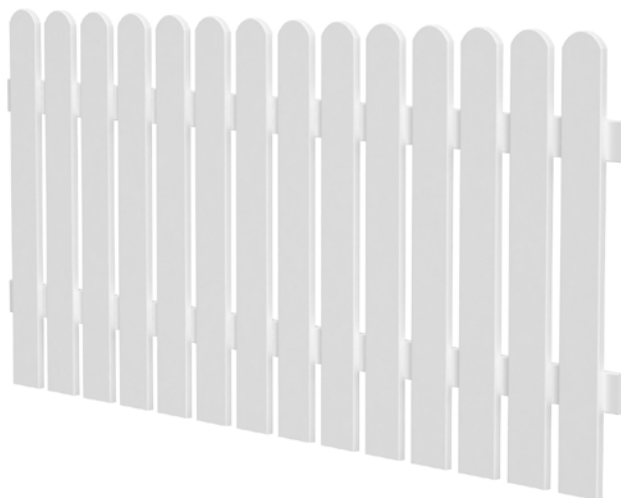
100535

grey pressure-treated



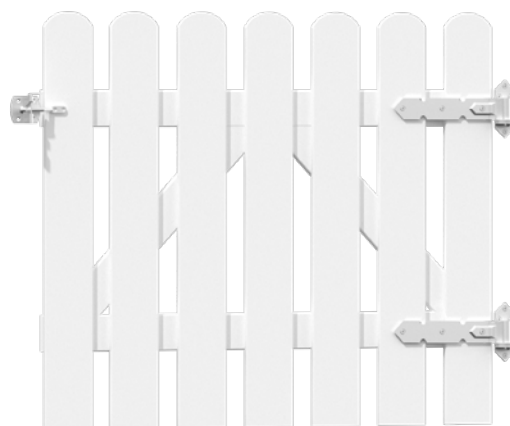
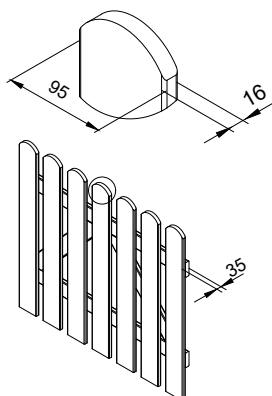
100537

primer + white painted 2 layers (RAL 9016)



PALMAKO GATE KELDA 8

ARTICLE NUMBER: 108640 / 108334



TREATMENT OPTIONS



108640

grey pressure-treated



108334

primer + white painted 2 layers (RAL 9016)

OPTIONAL

Fence gate hardware kit. See Optional Products p. 242-257 for details.

MODEL SPECIFICATIONS

Element measurements,

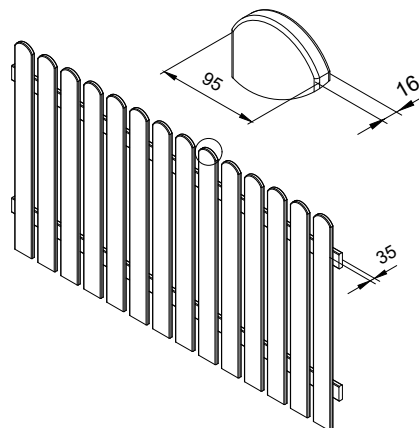
width x height: 900x800 mm

Depth: 35 mm

Palisade profile: 16x95 mm

PALMAKO FENCE ELEMENT KELDA 10

ARTICLE NUMBER: 100543



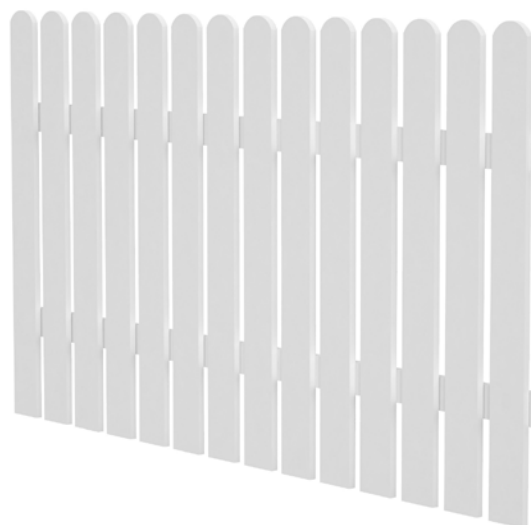
MODEL SPECIFICATIONS

Element measurements,
width x height: 1800x1000 mm
Depth: 35 mm
Palisade profile: 16x95 mm

TREATMENT OPTIONS

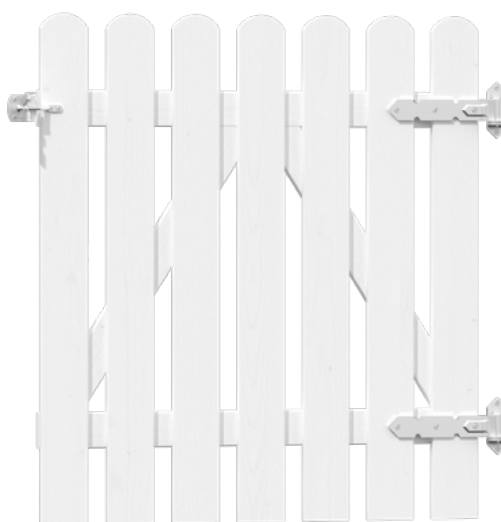
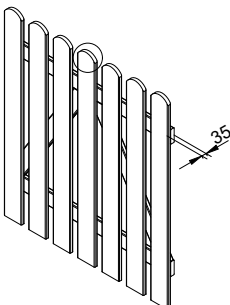
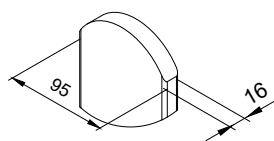
100543

primer + white painted 2 layers (RAL 9016)



PALMAKO GATE KELDA 10

ARTICLE NUMBER: 107907



TREATMENT OPTIONS

107907

primer + white painted 2 layers (RAL 9016)

OPTIONAL

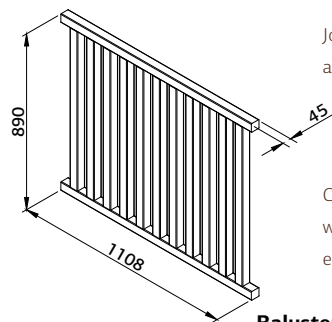
Fence gate hardware kit. See Optional Products p. 242-257 for details.

MODEL SPECIFICATIONS

Element measurements,
width x height: 900x1000 mm
Depth: 35 mm
Palisade profile: 16x95 mm

PALMAKO FENCE FOR TERRACE SIRI 11

ARTICLE NUMBER: 100555



Jointed with dowel and waterproof adhesive.

Can be combined with Siri 11 glazed elements.

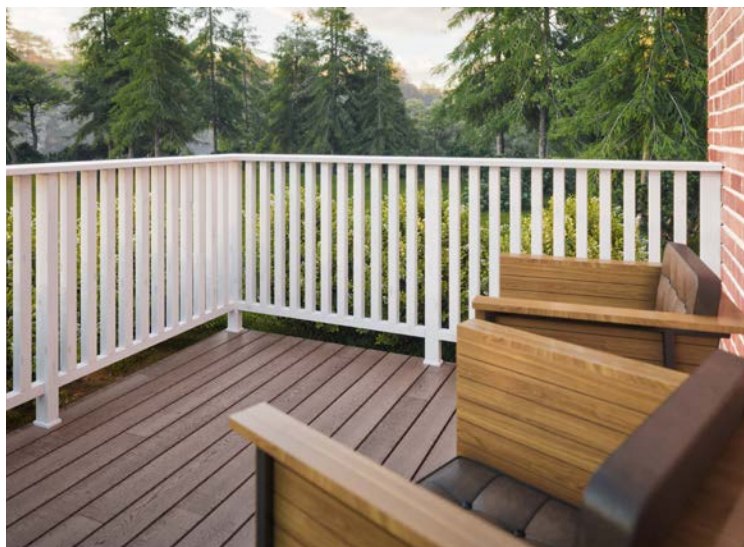
Baluster profile: 45x45 mm

Rail profile: 45x45 mm

TREATMENT OPTIONS

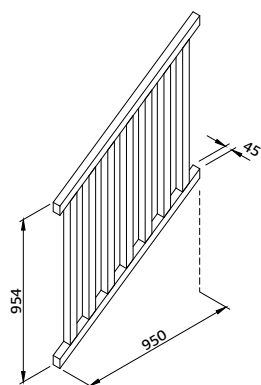
100555

primer + white painted 2 layers (RAL 9016)



PALMAKO FENCE FOR STAIRS SIRI 17

ARTICLE NUMBER: 100561



Jointed with dowel and waterproof adhesive.

Baluster profile: 45x45 mm

Rail profile: 45x45 mm

TREATMENT

100561

primer + white painted 2 layers (RAL 9016)



POSTS AND HANDRAILS

POSTS FOR TERRACE FENCE

Article number	100844	107404
Profile	45x70 mm	45x90 mm
Length	1200 mm	1200 mm

TREATMENT OPTIONS

WTPNT1+2

primer + white painted 2 layers (RAL 9016)

HANDRAILS FOR TERRACE FENCE

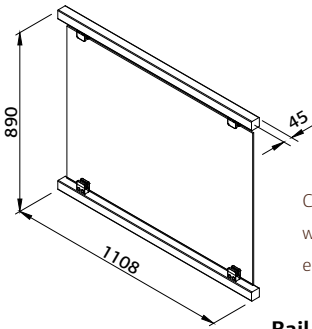
SPECIES: PINE

Article number	100820	100832
Profile	34x120 mm	34x145 mm
Length	4200 mm	4200 mm
	curved	curved



PALMAKO FENCE FOR TERRACE, SIRI 11 GLASS

ARTICLE NUMBER: 107693



Can be combined with Siri 11 wooden elements.

Rail profile: 45x45 mm

Glass: clear toughened glass, 6 mm

TREATMENT



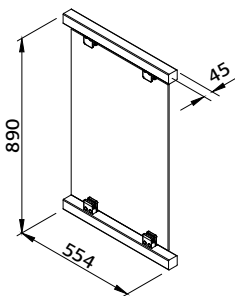
107693

primer + white painted 2 layers (RAL 9016)



PALMAKO FENCE FOR TERRACE, SIRI 6 GLASS

ARTICLE NUMBER: 107705

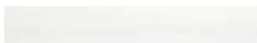


Can be combined with Siri 11 wooden elements.

Rail profile: 45x45 mm

Glass: clear toughened glass, 6 mm

TREATMENT



107705

primer + white painted 2 layers (RAL 9016)



POSTS AND HANDRAILS

POSTS FOR TERRACE FENCE

Article number	● 100844	● 107404
Profile	45x70 mm	45x90 mm
Length	1200 mm	1200 mm

TREATMENT



WTPNT1+2

primer + white painted 2 layers (RAL 9016)

HANDRAILS FOR TERRACE FENCE

SPECIES: PINE

Article number	● 100820	● 100832
Profile	34x120 mm	34x145 mm
Length	4200 mm	4200 mm
	curved	curved



PALMAKO FENCE PANEL LAUREEN

ARTICLE NUMBER: 100748 / 100749

SPECIES: SPRUCE



MODEL SPECIFICATIONS

Panel measurements,

width x height: 1800x1800 mm

Depth: 82 mm

TREATMENT OPTIONS



100748

grey pressure-treated



100749

primer + white painted 2 layers (RAL 9016)



PALMAKO POLE BASE AND FENCE PANEL FASTENERS



**Post leg with pile
90x90 mm hot dip**
Art. No.: 106617



**Post leg with pile
70x70 mm hot dip**
Art. No.: 107487



**Post leg rectangular plate
90x90 mm hot dip**
Art. No.: 106613



**Post leg side support
70x70 mm hot dip**
Art. No.: 107492



**Post legside support
70x70 mm white**
Art. No.: 107493



**Post leg side support
90x90 mm hot dip**
Art. No.: 107494



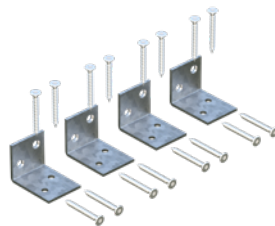
**Post legside support
90x90 mm white**
Art. No.: 107495



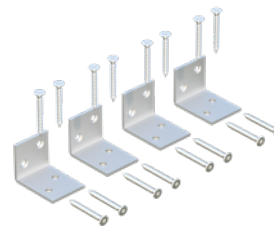
**Post leg corner
hot dip**
Art. No.: 107489



**Post leg corner
white**
Art. No.: 107488



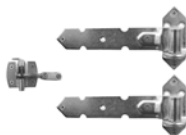
**L-type fastening brackets
(set 4 pcs) hot dip**
Art. No.: 108424



**L-type fastening brackets
(set 4 pcs) white**
Art. No.: 108423



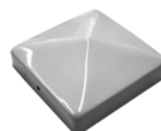
**Wooden screws
(set 8 pcs) white**
Art. No.: 107486



**Fence gate
hardware kit**
Art. No.: 108303



**Post cap
70x70 mm white**
Art. No.: 108300



**Post cap
90x90 mm white**
Art. No.: 108302

PALMAKO POSTSAVER PROTECTED POSTS



	Art. No.	Diameter, mm	Length, mm	Treatment	Processing	Species	Split yes/no	Pieces/pack	FSC
Post Postsaver 75 1800	106599	75	1800	GNVPIH4 green pressure-treated HC4	PC	spruce	No	168	FSC Mix Credit
Post Postsaver 75 2400	108284	75	2400	GNVPIH4 green pressure-treated HC4	PC	spruce	No	168	FSC Mix Credit
Post Postsaver 85 1800	106601	85	1800	GNVPIH4 green pressure-treated HC4	PC	spruce	No	132	FSC Mix Credit
Post Postsaver 85 2400	108285	85	2400	GNVPIH4 green pressure-treated HC4	PC	spruce	No	132	FSC Mix Credit
Post Postsaver 100 1800	106602	100	1800	GNVPIH4 green pressure-treated HC4	PC	spruce	No	90	FSC Mix Credit
Post Postsaver 100 2400	108287	100	2400	GNVPIH4 green pressure-treated HC4	PC	spruce	No	90	FSC Mix Credit
Post Postsaver 140 2400	109561	140	2400	GNVPIH4 green pressure-treated HC4	PC	pine	No	49	-

DESCRIPTION

End processing: Pointed & Chamfered (PC)

Surface: Incised

Treatment chemical: Impralit®-KDS; Colour green

Treatment method: Vacuum-pressure-vacuum

Treatment class: HC4; Pre-dried below 35% of moisture content

Treatment standard: EN351-1 (penetration ≥ 6mm)

Postsaver: Double layer sleeve applied to the ground level point

Warranty: 25 years (ask for terms)

PALMAKO PREMIUM MACHINE ROUNDED POSTS



	Art. No.	Diameter, mm	Length, mm	Treatment	Processing	Species	Split yes/no	Pieces/pack	FSC
Post Premium 60 1500	101266	60	1500	GNVPIH4 green pressure-treated HC4	PC	spruce	No	238	FSC Mix Credit
Post Premium 60 1800	108289	60	1800	GNVPIH4 green pressure-treated HC4	PC	spruce	No	238	FSC Mix Credit
Post Premium 60 2000	101267	60	2000	GNVPIH4 green pressure-treated HC4	PC	pine	No	238	FSC Mix Credit
Post Premium 60 2500	101268	60	2500	GNVPIH4 green pressure-treated HC4	PC	pine	No	238	FSC Mix Credit
Post Premium 75 1800	108291	75	1800	GNVPIH4 green pressure-treated HC4	PC	spruce	No	168	FSC Mix Credit
Post Premium 75 2400	108293	75	2400	GNVPIH4 green pressure-treated HC4	PC	spruce	No	168	FSC Mix Credit
Post Premium 80 2000	101273	80	2000	GNVPIH4 green pressure-treated HC4	PC	pine	No	143	FSC Mix Credit
Post Premium 80 2500	101275	80	2500	GNVPIH4 green pressure-treated HC4	PC	pine	No	143	FSC Mix Credit
Post Premium 80 3000	109116	80	2500	GNVPIH4 green pressure-treated HC4	PC	pine	No	143	FSC Mix Credit
Post Premium 85 1800	108295	85	1800	GNVPIH4 green pressure-treated HC4	PC	spruce	No	132	FSC Mix Credit
Post Premium 85 2400	108364	85	2400	GNVPIH4 green pressure-treated HC4	PC	spruce	No	132	FSC Mix Credit
Post Premium 100 1800	101280	100	1800	GNVPIH4 green pressure-treated HC4	PC	spruce	No	90	FSC Mix Credit
Post Premium 100 2000	101282	100	2000	GNVPIH4 green pressure-treated HC4	PC	pine	No	90	FSC Mix Credit
Post Premium 100 2400	108298	100	2400	GNVPIH4 green pressure-treated HC4	PC	spruce	No	90	FSC Mix Credit
Post Premium 100 2500	101285	100	2500	GNVPIH4 green pressure-treated HC4	PC	pine	No	90	FSC Mix Credit
Post Premium 140 2400	109560	145	2400	GNVPIH4 green pressure-treated HC4	PC	pine	No	49	-
Post Premium 150 2400	101293	150	2400	GNVPIH4 green pressure-treated HC4	PC	pine	No	42	FSC Mix Credit

DESCRIPTION

End processing: Pointed & Chamfered (PC)

Surface: Spruce surface incised

Treatment chemical: Impralit®-KDS; Colour green

Treatment method: Vacuum-pressure-vacuum

Treatment class: HC4; Pre-dried below 35% (spruce) or 28% (pine) of moisture content

Treatment standard: EN351-1

Warranty: 15 years (ask for terms)

USAGE

Fence and gate posts,
wire or rail fencing,
electric fencing, playground
structures, ground works



PALMAKO PREMIUM MACHINE ROUNDED POLES

	Art. No.	Diameter, mm	Length, mm	Treatment	Processing	Species	Split yes/no	Pieces/-pack	FSC
Pole Premium 80 2000	101272	80	2000	GNVPIH4 green pressure-treated HC4	CC	pine	No	143	FSC Mix Credit
Pole Premium 80 2500	101274	80	2500	GNVPIH4 green pressure-treated HC4	CC	pine	No	143	FSC Mix Credit
Pole Premium 80 3000	101276	80	3000	GNVPIH4 green pressure-treated HC4	CC	pine	No	143	FSC Mix Credit
Pole Premium 80 4000	101277	80	4000	GNVPIH4 green pressure-treated HC4	CC	pine	No	143	FSC Mix Credit
Pole Premium 100 2000	101281	100	2000	GNVPIH4 green pressure-treated HC4	CC	pine	No	90	FSC Mix Credit
Pole Premium 100 3000	101286	100	3000	GNVPIH4 green pressure-treated HC4	CC	pine	No	90	FSC Mix Credit
Pole Premium 100 4000	101288	100	4000	GNVPIH4 green pressure-treated HC4	CC	pine	No	90	FSC Mix Credit

DESCRIPTION

End processing: Chamfered & Chamfered (CC)

Surface: Spruce surface incised

Treatment chemical: Impralit®-KDS; Colour green

Treatment method: Vacuum-pressure-vacuum

Treatment class: HC4; Pre-dried below 35% (spruce) or 28% (pine) of moisture content

Treatment standard: EN351-1

Warranty: 15 years (ask for terms)

USAGE

Wire or rail fencing,
playground structures,
structural poles



**Palmako Postsaver
Protected posts**



**Palmako Premium Machine
Rounded Posts**



**Palmako Premium Machine
Rounded Poles**