



# NORDIC & NORDIC+ HOUSES



PALMAKO NORDIC HOUSE  
LY 13,6 m<sup>2</sup>



PALMAKO NORDIC+ HOUSE  
CHARLOTTE 21,5 m<sup>2</sup>



PALMAKO NORDIC HOUSE  
HEDWIG 13,6 m<sup>2</sup>



PALMAKO NORDIC+ HOUSE  
PERNILLA 21,5 m<sup>2</sup>



PALMAKO NORDIC HOUSE  
ETTA 13,6 m<sup>2</sup>



PALMAKO NORDIC+ HOUSE  
ANNIKA 21,5 m<sup>2</sup>



PALMAKO NORDIC HOUSE  
SIMONE 13,6 m<sup>2</sup>



PALMAKO NORDIC HOUSE  
ANNABEL 13,4 m<sup>2</sup> KIT



PALMAKO NORDIC HOUSE  
ANNABEL 13,4 m<sup>2</sup>



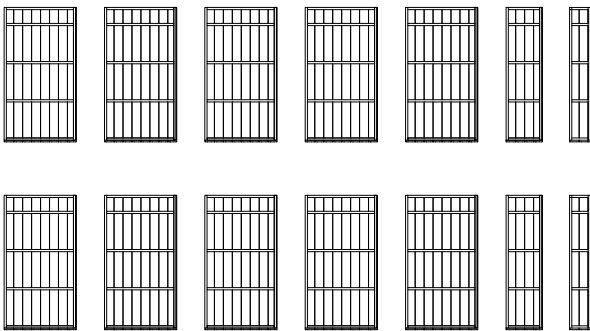
PALMAKO NORDIC HOUSE  
SOLVEIG 13,6 m<sup>2</sup>



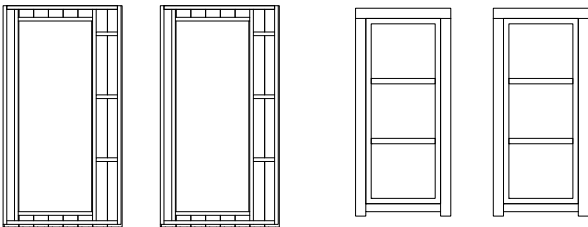
# FAST & EASY ASSEMBLY



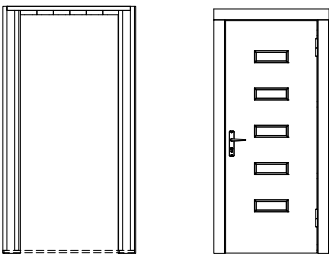
Internal view, walls covered with wind-protection plastic



Wall elements – 10 + 2 + 2 pc



Window elements + windows – 2 pc



Door element + door – 1 pc

Ready-made elements and simple construction allow for fast and easy assembly. Installation video for the Ly model can be viewed at [www.palmako.com/eng/ly](http://www.palmako.com/eng/ly)



Scan this QR-code to see assembling of Ly 13,6 m<sup>2</sup>!



**Storage**  
Convenient to store large quantities outdoors; the model is kept in stock all year around.



**Mounting foundation and floor boards**  
Treated foundation joists and 19 mm floor boards.  
**45 min**



**Installing rafters and roof boards**  
Ready-made rafters make roof installation easy and fast, roof boards are 19 mm.  
**1 h 30**



**Covering roof with felt or shingles**  
Roofing felt is the easiest and fastest way to protect the roof boards against the weather.  
**1 h**



**30 min**

**Unpacking and sorting building units**  
House kits are compact and contain all the needed accessories for assembly.



**1 h**

**Installing wall elements**  
Ready made wall-elements, covered with wind-protection plastic inside.



**1 h**

**Placing door and windows**  
Double glazed windows ensure good thermal resistance. All windows can be opened.



**6–8 hours**



# WE HAVE A GREAT ALTERNATIVE TO THE TRADITIONAL GARDEN HOUSE!

These contemporary-style buildings with a Scandinavian look and quality are most suitable for a city garden. Palmako Nordic Houses represent our most modern and innovative pre-fabricated house models.

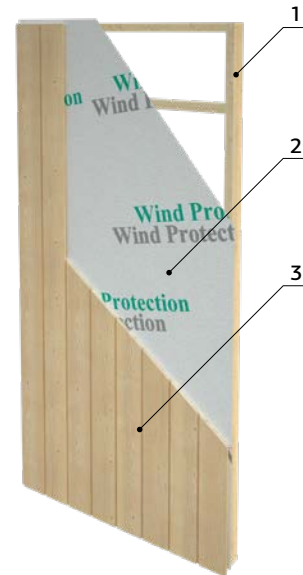
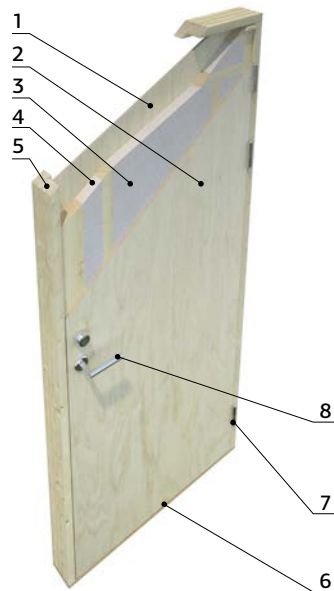
Ready-made wall elements are covered with wind-protection plastic inside, making these houses extremely weatherproof, especially rain and wind resistant. 70 mm frame construction is perfect for hiding cabling (wires, pipes, etc) as well as for the same thickness of insulation. All the houses have double thermo glazing and outwards-opening windows.

These models have 40 mm EPS (Expanded polystyrene) insulated doors, which makes them especially rain and wind resistant.

Total element thickness by Nordic houses is 88 mm. Here is a cross section of an element just to get better understanding of what these elements look like and consist of:

1. Plywood 10mm
2. Plywood 10mm
3. EPS 50 40mm insulation
4. Wooden skeleton 40x40mm
5. Wooden laminated frame 44x105mm
6. Hardwood 28x93mm threshold
7. Hinge 115x84x3mm (3x)
8. 565 lock and lock box

1. 34x70mm frame
2. Wind-protection plastic
3. 18mm fine sawn cladding



## PALMAKO NORDIC HOUSE LY 13,6 m<sup>2</sup>

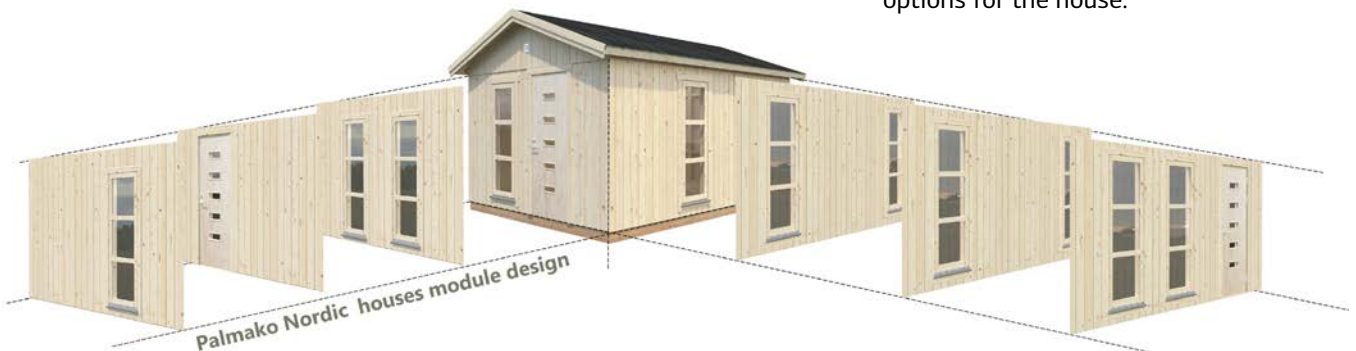
ARTICLE NUMBER: 101147



### ONE SET – MANY HOUSES!

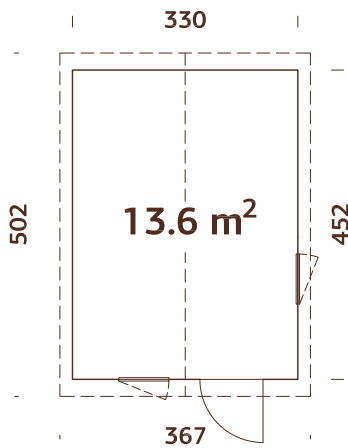
A model contains a set of wall and window-door elements, which can be rearranged in several ways.

This results in multiple appearance options for the house.



# PALMAKO NORDIC HOUSE LY 13,6 m<sup>2</sup>

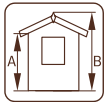
ARTICLE NUMBER: 101147



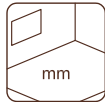
Door and window elements can be swapped.  
 Double glazed.  
 Ready-made wall elements  
 with wind protection plastic!  
 Trendy look! Fine-sawn cladding.



88 mm



A: 203 cm  
 B: 297 cm



Included  
 19 mm

## MODEL SPECIFICATIONS

### Wall measurements:

330x452 cm

Volume: 35,2 m<sup>3</sup>

Door/window type: Summer

Door/window glass:

Double glass, 3-9-3 mm

### Window opening

measurements:

57x165 cm

Door opening

measurements: 78x191 cm

Door sill: hard wood

Roof boards: 19 mm

Roof area: 19,5 m<sup>2</sup>

Roof gradient: 20,0°

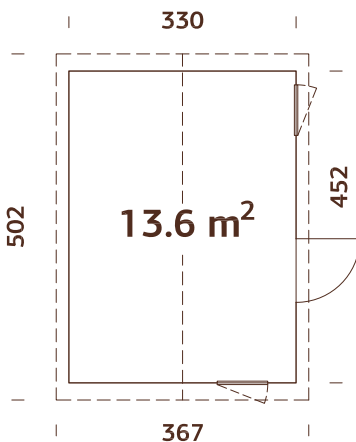
Gross ground area: 14,9 m<sup>2</sup>

## OPTIONAL

Roofing felt (underlayer): 5 rolls, SBS roofing material: 5 rolls, shingles: 8 packs, roofing nails, rain gutters, additional door and window. See Optional Products p. 242-257 for details.

# PALMAKO NORDIC HOUSE HEDWIG 13,6 m<sup>2</sup>

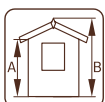
ARTICLE NUMBER: 101163



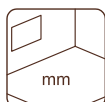
Door and window elements can be swapped.  
 Double glazed.  
 Ready-made wall elements  
 with wind protection plastic!  
 Trendy look! Fine-sawn cladding.



88 mm



A: 203 cm  
 B: 297 cm



Included  
 19 mm

## MODEL SPECIFICATIONS

### Wall measurements:

330x452 cm

Volume: 35,2 m<sup>3</sup>

Door/window type: Summer

Door/window glass:

Double glass, 3-9-3 mm

### Window opening

measurements:

57x86 cm

Door opening

measurements: 78x191 cm

Door sill: hard wood

Roof boards: 19 mm

Roof area: 19,5 m<sup>2</sup>

Roof gradient: 20,0°

Gross ground area: 14,9 m<sup>2</sup>

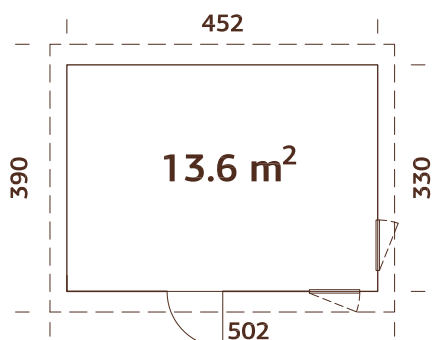
## OPTIONAL

Roofing felt (underlayer): 5 rolls, SBS roofing material: 5 rolls, shingles: 8 packs, roofing nails, rain gutters, additional door and window. See Optional Products p. 242-257 for details.



# PALMAKO NORDIC HOUSE ETTA 13,6 m<sup>2</sup>

ARTICLE NUMBER: 101151



Door and window elements can be swapped.

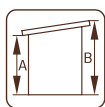
Double glazed.

Ready-made wall elements with wind protection plastic!

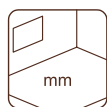
Trendy look! Fine-sawn cladding.



88 mm



A: 203 cm  
B: 294 cm



Included  
19 mm

## MODEL SPECIFICATIONS

### Wall measurements:

452x330 cm

Volume: 33,7 m<sup>3</sup>

Door/window type: Summer

Door/window glass:

Double glass, 3-9-3 mm

Window opening measurements:

57x165 cm

Door opening measurements:

78x191 cm

Door sill: hard wood

Roof boards: 19 mm

Roof area: 19,7 m<sup>2</sup>

Roof gradient: 9,0°

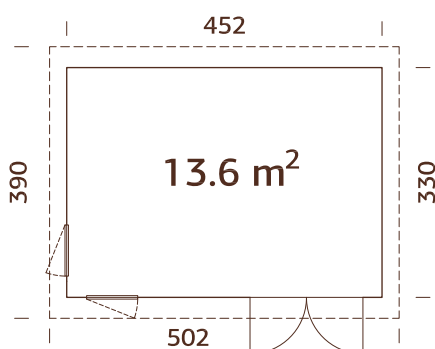
Gross ground area: 14,9 m<sup>2</sup>

## OPTIONAL

Roofing felt (underlayer): 5 rolls, SBS roofing material: 5 rolls, roofing nails, rain gutters, additional door and window. See Optional Products p. 242-257 for details.

# PALMAKO NORDIC HOUSE SIMONE 13,6 m<sup>2</sup>

ARTICLE NUMBER: 109000



Door and window elements can be swapped.

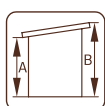
Double glazed.

Ready-made wall elements with wind protection plastic!

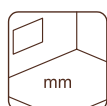
Trendy look! Fine-sawn cladding.



88 mm



A: 203 cm  
B: 294 cm



Included  
19 mm

## MODEL SPECIFICATIONS

### Wall measurements:

452x330 cm

Volume: 33,7 m<sup>3</sup>

Door/window type: Summer

Door/window glass:

Double glass, 3-9-3 mm

Window opening measurements:

54x162 cm

Door opening measurements:

151x180 cm

Door sill: low, covered with stainless steel

Roof boards: 19 mm

Roof area: 19,7 m<sup>2</sup>

Roof gradient: 9,0°

Gross ground area: 14,9 m<sup>2</sup>

## OPTIONAL

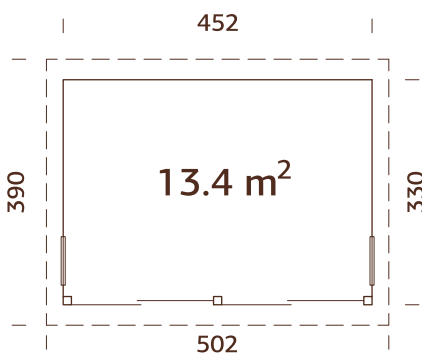
Roofing felt (underlayer): 5 rolls, SBS roofing material: 5 rolls, roofing nails, rain gutters, additional door and window. See Optional Products p. 242-257 for details.

# PALMAKO NORDIC HOUSE ANNABEL 13,4 m<sup>2</sup>

ARTICLE NUMBER: 108994



**Annabel 13,4 m<sup>2</sup> kit without sliding door**  
Article number: 109044



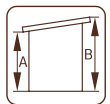
Double glazed.

Ready-made wall elements with wind protection plastic!

Trendy look! Fine-sawn cladding.



**88 mm**



**A: 205 cm**  
**B: 294 cm**



**Included**  
**19 mm**

## MODEL SPECIFICATIONS

**Wall measurements:** 452x330 cm

**Volume:** 37,4 m<sup>3</sup>

**Door:** Sliding door set

**Door glass:** Toughened, 5 mm

**Window type:** Summer

**Window glass:**

Double glass, 3-9-3 mm

**Window opening**

**measurements:** 57x165 cm

**Door opening**

**measurements:** 96x196 cm

**Roof boards:** 19 mm

**Roof area:** 20,0 m<sup>2</sup>

**Roof gradient:** 9,0°

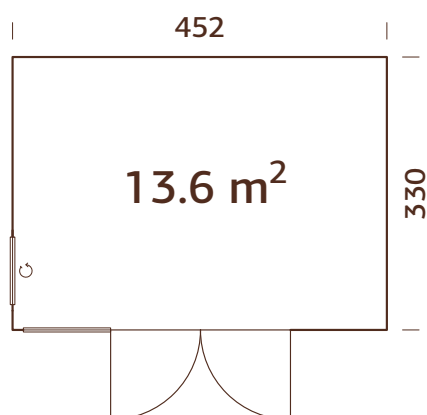
**Gross ground area:** 15,1 m<sup>2</sup>

## OPTIONAL

Roofing felt (underlayer): 3 rolls, SBS roofing material: 3 rolls, roofing nails, rain gutters, additional door and window. See Optional Products p. 242-257 for details.

# PALMAKO NORDIC HOUSE SOLVEIG 13,6 m<sup>2</sup>

ARTICLE NUMBER: 101203



## MODEL SPECIFICATIONS

**Wall measurements:** 452x330 cm

**Volume:** 30,2 m<sup>3</sup>

**Door/window type:** Summer

**Door/window glass:**

Double toughened glass, 4-9-4 mm

**Window opening measurements:**

82x198 cm

**Fixed window, measurements:**

88x198 cm

**Door opening measurements:**

207x203 cm

**Door sill:** hard wood

**Roof boards:** 19 mm

**Roof area:** 15,5 m<sup>2</sup>

**Roof gradient:** 1,4°

**Rain gutters:** Included

**Gross ground area:** 14,9 m<sup>2</sup>

Door and window elements can be swapped. Double glazed.

Can be built in reverse!

Ready-made wall elements

with wind protection plastic!

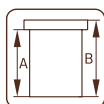
Trendy look! Fine-sawn cladding.

Ceiling boards included.

Metal roof edge included.

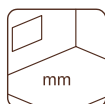


**88 mm**



**A: 238 cm**

**B: 281 cm**



**Included**

**28 mm**

## OPTIONAL

EPDM, additional door and window.

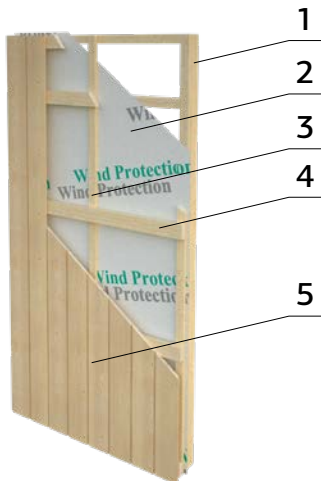
See Optional Products p. 242-257 for details.



# PRE-FABRICATED PALMAKO NORDIC+ HOUSES WITH ELEMENT THICKNESS OF 160 MM

These Scandinavian-style houses are suitable for any garden that lacks strong, weather-resistant buildings where you can be with your family and friends. Feel free to take your time and delve into the following pages of our best choice of modern, pre-fabricated Nordic+ houses.

Ready-made wall elements are covered with wind-protection plastic inside, making these houses extremely weatherproof, especially rain and wind-resistant. It is comfortable to be in a building when it is warm - we have thought about it and given you an opportunity for 95 mm insulation. You can insulate walls, floors and ceilings. For better house ventilation we have added ventilation battens under the cladding. All the houses have double thermo glazing and outwards-opening windows. These models have 40 mm EPS (expanded polystyrene) insulated doors.



Total element thickness of Nordic+ houses is 160 mm. Here is a cross section of an element just to get a better understanding of what these elements look like and consist of:

1. 44x95mm frame
2. Wind-protection plastic
3. 19x45mm ventilation battens
4. 28x70mm cladding support battens
5. 18mm fine sawn cladding

## One set – many houses!

A model contains set of wall and window-door elements, which can be rearranged in several ways. This results in multiple appearance options for the house.

## PALMAKO NORDIC+ HOUSE CHARLOTTE 21,5 m<sup>2</sup>

ARTICLE NUMBER: 101253



CHARLOTTE OPTION 1



CHARLOTTE OPTION 2



CHARLOTTE OPTION 3

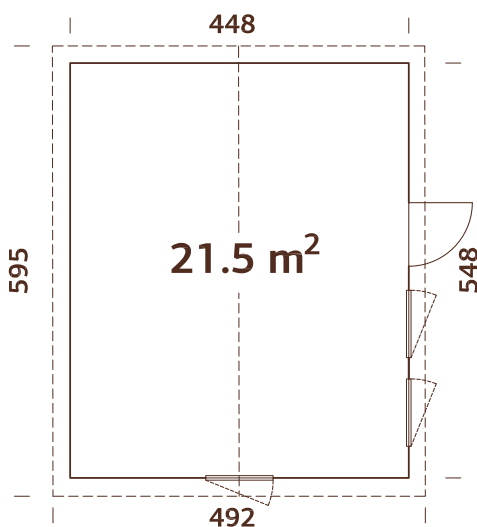


CHARLOTTE OPTION 4



# PALMAKO NORDIC+ HOUSE CHARLOTTE 21,5 m<sup>2</sup>

ARTICLE NUMBER: 101253



## MODEL SPECIFICATIONS

### Wall measurements:

448x548 cm

**Volume:** 55,4 m<sup>3</sup>

**Door/window type:** Summer

**Door/window glass:**

Double glass, 3-9-3 mm

**Window opening**

**measurements:**

57x165, 69x38 cm

### Door opening measurements:

78x191 cm

**Door sill:** hard wood

**Roof boards:** 19 mm

**Roof area:** 30,4 m<sup>2</sup>

**Roof gradient:** 20,0°

**Gross ground area:** 24,6 m<sup>2</sup>

## OPTIONAL

Roofing felt (underlayer): 7 rolls, SBS roofing material: 7 rolls, shingles: 13 packs, roofing nails, rain gutters, canopy roof, additional door and window. See Optional Products p. 242-257 for details.

Door and window elements can be swapped.

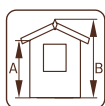
Double glazed.

Trendy look! Fine-sawn cladding.

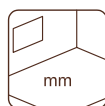
Ready-made wall elements with wind protection plastic!



**160 mm**



**A: 216 cm**  
**B: 326 cm**



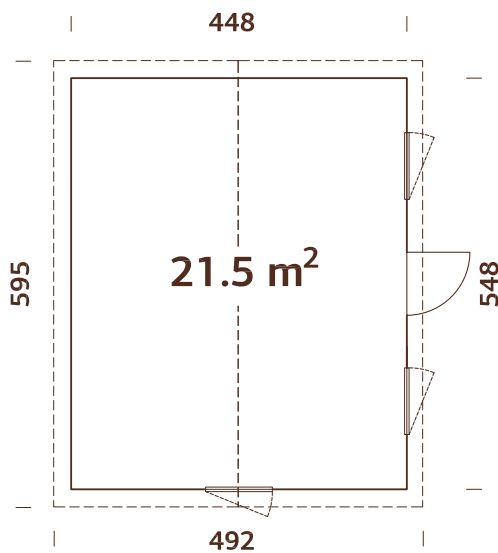
**Included**  
**19 mm**



Canopy roof as an optional extra.

# PALMAKO NORDIC+ HOUSE PERNILLA 21,5 m<sup>2</sup>

ARTICLE NUMBER: 101261



## MODEL SPECIFICATIONS

### Wall measurements:

448x548 cm

**Volume:** 55,4 m<sup>3</sup>

**Door/window type:** Summer

**Door/window glass:**

Double glass, 3-9-3 mm

**Window opening**

**measurements:**

69x38 cm, 69x86 cm

### Door opening

**measurements:** 78x181 cm

**Door sill:** hard wood

**Roof boards:** 19 mm

**Roof area:** 30,4 m<sup>2</sup>

**Roof gradient:** 20,0°

**Gross ground area:** 24,6 m<sup>2</sup>

## OPTIONAL

Roofing felt (underlayer): 7 rolls, SBS roofing material: 7 rolls, shingles:

13 packs, roofing nails, rain gutters, canopy roof, additional door and window.

See Optional Products p. 242-257 for details.

Door and window elements can be swapped.

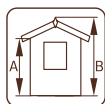
Double glazed.

Trendy look! Fine-sawn cladding.

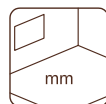
Ready-made wall elements with wind protection plastic!



**160 mm**



**A: 216 cm**  
**B: 326 cm**



**Included**  
**19 mm**

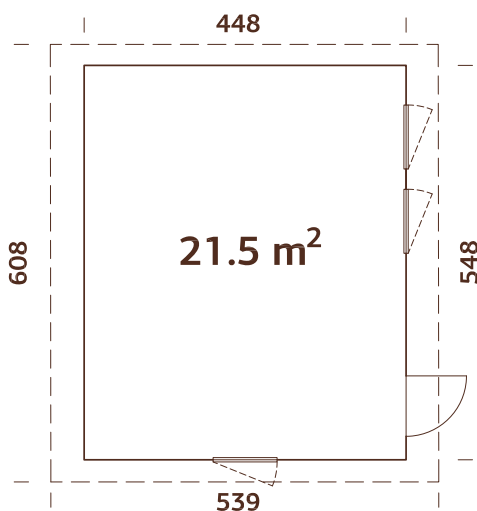


Canopy roof as an optional extra.



# PALMAKO NORDIC+ HOUSE ANNIKA 21,5 m<sup>2</sup>

ARTICLE NUMBER: 101257



## MODEL SPECIFICATIONS

### Wall measurements:

448x548 cm

**Volume:** 55,0 m<sup>3</sup>

**Door/window type:** Summer

**Door/window glass:**

Double glass, 3-9-3 mm

**Window opening**

**measurements:** 57x165 cm

### Door opening

**measurements:** 78x191 cm

**Door sill:** hard wood

**Roof boards:** 19 mm

**Roof area:** 33,2 m<sup>2</sup>

**Roof gradient:** 7,0°

**Gross ground area:** 24,6 m<sup>2</sup>

## OPTIONAL

Roofing felt (underlayer): 6 rolls, SBS roofing material: 6 rolls, roofing nails, rain gutters, additional door and window, additional door and window. See Optional Products p. 242-257 for details.

Door and window elements can be swapped.

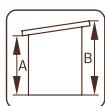
Double glazed.

Trendy look! Fine-sawn cladding.

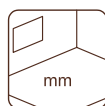
Ready-made wall elements with wind protection plastic!



**160 mm**



**A: 216 cm**  
**B: 311 cm**



**Included**  
**19 mm**

# OPTIONAL PRODUCTS

SEE OPTIONAL PRODUCTS, PAGES 242-257



House	Art. No.	Roofing felt, rolls	SBS roofing material, rolls	Shingles <sup>1</sup> , packs	Roofing nails, 1 kg	EPDM <sup>2</sup>	Rain gutters	Canopy roof	Additional door	Additional window
Ly 13,6 m <sup>2</sup>	101147	107210 5 rolls	107214 5 rolls	8 packs	107930		106632		107325	103309
Hedwig 13,6 m <sup>2</sup>	101163	107210 5 rolls	107214 5 rolls	8 packs	107930		106632		109058	103310
Ertta 13,6 m <sup>2</sup>	101151	107210 5 rolls	107214 5 rolls		107930		107375		107325	103309
Simone 13,6 m <sup>2</sup>	109000	107210 5 rolls	107214 5 rolls		107930		107375		106793	107289
Annabel 13,4 m <sup>2</sup>	108994	107210 3 rolls	107214 3 rolls		107930		107375		109176	109172
Annabel 13,4 m <sup>2</sup> Kit	109044	107210 3 rolls	107214 3 rolls		107930		107375			109172
Solveig 13,6 m <sup>2</sup>	101203					107166	Incl.		106932	100188 100187
Charlotte 21,5 m <sup>2</sup>	101253	107210 7 rolls	107214 7 rolls	13 packs	107930		106632	108623	107325	107289 107297
Permillia 21,5 m <sup>2</sup>	101261	107210 7 rolls	107214 7 rolls	13 packs	107930		106632	108623	107329	107295 107297
Annika 21,5 m <sup>2</sup>	101257	107210 6 rolls	107214 6 rolls		107930		106626 + 106627		107325	107289

<sup>1</sup> Shingles are available in different colours - 107180 = Black, 107182 = Red, 107183 = Green, 107181 = Brown.

<sup>2</sup> Includes glue for EPDM installation. Read more about EPDM p. 249.