



MODERN LOOK

GRACE FAMILY BY PALMAKO



Palmako's new Modern Look Grace family houses are born from constant unrest to create something new and exciting.

These cabins are extraordinary due to the innovative solution for wall construction – special profile of glue laminated timber wall panels. Glue laminated timber is stable and durable base material, that is also wonderfully easy to set up.

The creation of such products is possible, since Palmako's investment into the new fully automatic production line of laminated timber.

Glue laminated wood ensures, that the building does not sink after completing. Unlike conventional laminated timber houses, new wall panel profile is unique - it is thin and high and the tenon joints stay tighter by being covered with a slat.

To reach the full height of the house, only 4 panels on top of each other are needed. When the lifting height of an ordinary milling beam is 114 mm, the new wall panel has a lifting height of 518 mm, which means that the surface of the wall remains smoother. Laminated timber is stable (no expansion-contraction or distortion), has a beautiful structure (no fissures or defects) and has a good fire resistance and heat insulation.

New innovative garden house family has four beautiful sisters: Grace 8.1+4.1 m², Grace 8.1+8.1 m², Grace 12.4+4.1 m² and Grace 14.5 m², which differ only in size and purpose. Why not create a cozy home office in a small cabin with a shorter canopy roof or use the Grace with a longer shed as a sauna or pool house. Grace 12.4+4.1 m² with two rooms is perfect for accommodate friends or relatives. The largest Grace has probably most functions among all sisters.



All Modern Look garden houses use innovative glue laminated wall panels. Lifting height of 518 mm makes an installation of the house easy and fast.

Modern wall corner connection of glue laminated wall panels is fixed with dowels and secured by screws.

Stable and weatherproof corner and log connections are guaranteed by using self-adhesive sealing.



Premium quality windows and door

The quality of Grace houses doors and windows is the best in its class. Laminated timber door frames, high quality classy oak-aluminium combined door sill, double toughened glass and premium lock system. Windows are with one-hand tilt-and-turn system with double toughened glass.

Foundation joists and floor boards

Foundation joists of the Grace houses are treated to guarantee long lifetime to the basis of the house. Solid 28 mm floor boards and floor slats are included in the house kit.

Roof construction

Strong glue laminated rafters carry 19 mm roof boards. To ensure water resistance of roof, we strongly recommend to use solid EPDM roof covering for these pent roof house models.

Paint finishing options

The doors/windows can be delivered from the factory with paint finishing, and the colour shade can be chosen from RAL colour chart. The most popular colour tones are:



RAL 1001



RAL 3009



RAL 6006



RAL 7016



RAL 9005



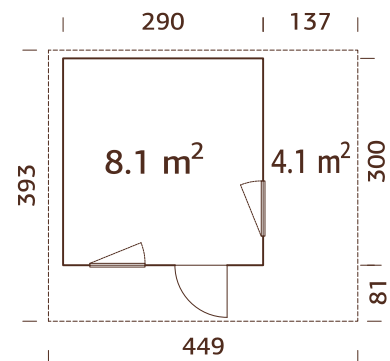
RAL 9010

NB! Colours as shown in the catalogue may vary from the actual colours.

PALMAKO MODERN LOOK HOUSE GRACE

ARTICLE NUMBER: 108586

8,1+4,1 m²



MODEL SPECIFICATIONS

Wall measurements:

290+137x300 cm

Volume: 18,8 m³

Door/window type: Living

Door/window glass: Double toughened glass, 4-18-4 mm

Window opening

measurements: 50x150 cm

Door opening

measurements: 70x193 cm

Door sill: high quality classy oak-aluminium combined door sill

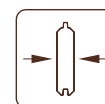
Roof boards: 19 mm

Roof area: 17,5 m²

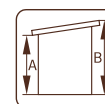
Roof gradient: 5,0°

Gross ground area: 8,7+4,1 m²

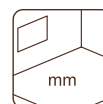
Glue laminated wall panels.
Strong purlins from laminated wood.



56 mm



A: 215 cm
B: 258 cm



Included
28 mm

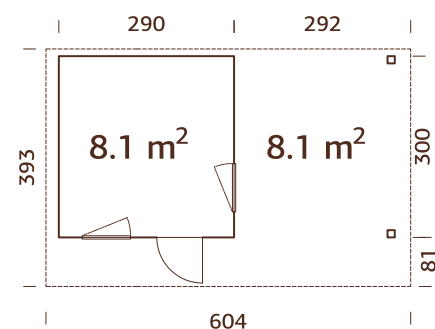
OPTIONAL

Roofing felt (underlayer): 3 rolls, SBS roofing material: 3 rolls, roofing nails, EPDM, rain gutters, additional door and window. See Optional Products p. 242-257 for details.

PALMAKO MODERN LOOK HOUSE GRACE

ARTICLE NUMBER: 108587

8,1+8,1 m²



MODEL SPECIFICATIONS

Wall measurements:

290+292x300 cm

Volume: 18,8 m³

Door/window type: Living

Door/window glass: Double toughened glass, 4-18-4 mm

Window opening

measurements: 50x150 cm

Door opening

measurements: 70x193 cm

Door sill: high quality classy oak-aluminium combined door sill

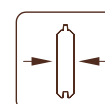
Roof boards: 19 mm

Roof area: 23,7 m²

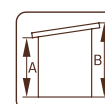
Roof gradient: 5,0°

Gross ground area: 8,7+8,1 m²

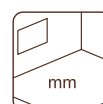
Glue laminated wall panels.
Strong purlins from laminated wood.



56 mm



A: 215 cm
B: 258 cm



Included
28 mm

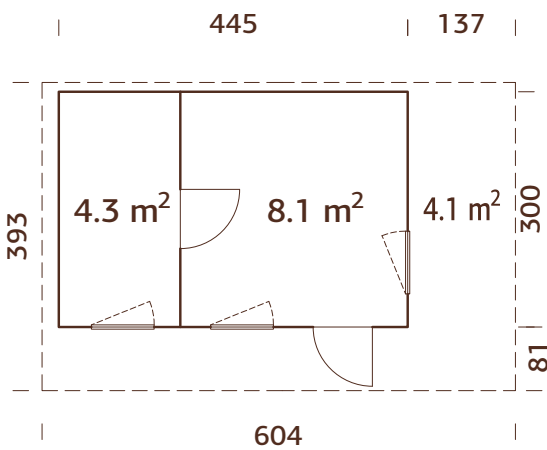
OPTIONAL

Roofing felt (underlayer): 5 rolls, SBS roofing material: 5 rolls, roofing nails, EPDM, rain gutters, additional door and window. See Optional Products p. 242-257 for details.

PALMAKO MODERN LOOK HOUSE GRACE

ARTICLE NUMBER: 108588

12,4+4,1 m²



MODEL SPECIFICATIONS

Wall measurements:

445+137x300 cm

Volume: 28,8 m³

Door/window type: Living

Door/window glass: Double

toughened glass, 4-18-4 mm

Window opening

measurements: 50x150 cm

Door opening measurements:

70x193 cm

Door sill: high quality classy oak-aluminium combined door sill

Roof boards: 19 mm

Roof area: 23,7 m²

Roof gradient: 5,0°

Gross ground area:

13,4+4,1 m²

OPTIONAL

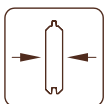
Roofing felt (underlayer): 5 rolls, SBS roofing material: 5 rolls, roofing nails,

EPDM, rain gutters, additional door and window.

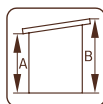
See Optional Products p. 242-257 for details.

Glue laminated wall panels.

Strong purlins from laminated wood.

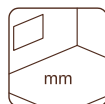


56 mm



A: 215 cm

B: 258 cm



Included

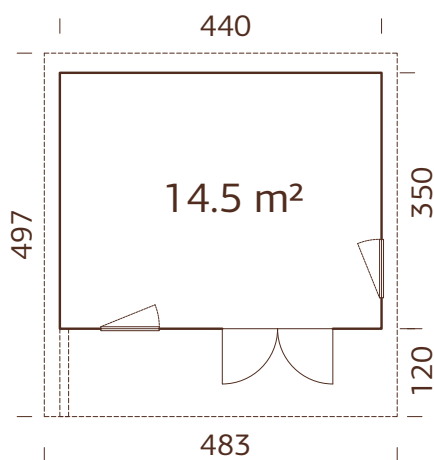
28 mm

PALMAKO MODERN LOOK HOUSE GRACE

NEW!

ARTICLE NUMBER: 108922

14,5m²



MODEL SPECIFICATIONS

Wall measurements:

440x350 cm

Volume: 35,2 m³

Door/window type: Living

Door/window glass: Double toughened glass, 4-18-4 mm

Window opening measurements: 50x150 cm

Door opening measurements:

150x188 cm

Door sill: high quality classy oak-aluminium combined door sill

Roof boards: 19 mm

Roof area: 24,0 m²

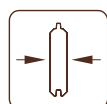
Roof gradient: 5,0°

Gross ground area: 15,4 m²

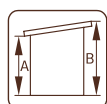
OPTIONAL

Roofing felt (underlayer): 7 rolls, SBS roofing material: 7 rolls, roofing nails, EPDM, rain gutters, additional door and window. See Optional Products p. 242-257 for details.

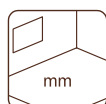
Glue laminated wall panels.
Strong purlins from laminated wood.



56 mm



A: 227 cm
B: 279 cm



Included
28 mm

OPTIONAL PRODUCTS

SEE OPTIONAL PRODUCTS, PAGES 242-257



House	Art. No.	Roofing felt, rolls	SBS roofing material, rolls	Roofing nails 1 kg	EPDM ¹	Rain gutters	Additional door	Additional window
Grace 8,1+4,1 m ²	108586	107210 3 rolls	107214 3 rolls	107930	107171	107375	109095	109086
Grace 8,1+8,1 m ²	108587	107210 5 rolls	107214 5 rolls	107930	107172	106628	109095	109086
Grace 12,4+4,1 m ²	108588	107210 5 rolls	107214 5 rolls	107930	107172	106628	109095, 109099	109086
Grace 14,5 m ²	108922	107210 7 rolls	107214 7 rolls	107930	107173	106626 + 106627	109544	109086

¹ Includes glue for EPDM installation. Read more about EPDM p. 249.
The article number is indicated to untreated items, for treated items ask our sales team.



