



# SHEDS

SHEDS



PALMAKO CHICKEN COOP  
CHICK 6,7 m<sup>2</sup>



PALMAKO SHED  
MIA 3,6 m<sup>2</sup>



PALMAKO SHED  
MIA 5,4 m<sup>2</sup>



PALMAKO SHED  
LEIF 2,2 m<sup>2</sup>



PALMAKO SHED  
LEIF 3,0 m<sup>2</sup>



PALMAKO SHED  
LEIF 4,5 m<sup>2</sup>



PALMAKO SHED  
LEIF 3,0+2,9 m<sup>2</sup>

NEW



PALMAKO SHED  
LEIF 4,5+2,9 m<sup>2</sup>

NEW



PALMAKO SHED  
DAN 4,5 m<sup>2</sup>



PALMAKO SHED  
DAN 7,5 m<sup>2</sup>



PALMAKO SHED  
DAN 9,9 m<sup>2</sup>



PALMAKO SHED  
DAN 14,7 m<sup>2</sup>



PALMAKO SHED  
NILS 5,4 m<sup>2</sup>



PALMAKO SHED  
NILS 8,2 m<sup>2</sup>



PALMAKO SHED  
LUCAS 5,4 m<sup>2</sup>



PALMAKO SHED  
LUCAS 12,1 m<sup>2</sup>



PALMAKO SHED  
MARCUS 6,5 m<sup>2</sup>



PALMAKO SHED  
STIG 8,2 m<sup>2</sup>



PALMAKO SHED  
JARI 8,9 m<sup>2</sup>



PALMAKO SHED  
JARI 14,5 m<sup>2</sup>

PALMAKO SHEDS

264-285



PALMAKO SHED  
MARTIN 8,4 m<sup>2</sup>



PALMAKO SHED  
MARTIN 13,6 m<sup>2</sup>



PALMAKO SHED  
OLAF 6,6 m<sup>2</sup>



PALMAKO SHED  
OLAF 13,5 m<sup>2</sup>



PALMAKO SHED  
OLAF 16,9 m<sup>2</sup>



PALMAKO SHED  
KALLE 6,6 m<sup>2</sup>



PALMAKO SHED  
KALLE 13,5 m<sup>2</sup>



PALMAKO SHED  
KALLE 16,9 m<sup>2</sup>



PALMAKO KIOSK  
KIRA 7,7 m<sup>2</sup>



PALMAKO KIOSK  
STELLA 5,0 m<sup>2</sup>

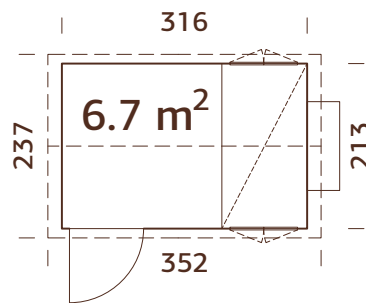


PALMAKO KIOSK  
STELLA 8,2 m<sup>2</sup>

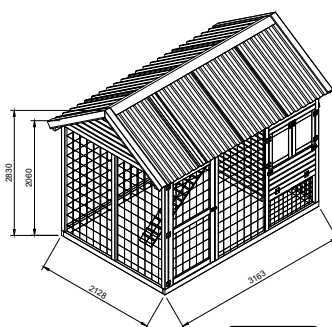
# PALMAKO CHICKEN COOP CHICK 6,7 m<sup>2</sup>

ARTICLE NUMBER: 109408

**NEW!  
METAL ROOF!**



Metal roof included.



## MODEL SPECIFICATIONS

### Wall measurements:

213x316 cm

Volume: 17,0 m<sup>3</sup>

Window glass:

Acrylglass

### Window opening

measurements: 96x59 cm

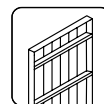
### Door opening

measurements: 95x187 cm

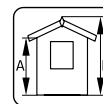
Roof area: 10,0 m<sup>2</sup>

Roof gradient: 34,0°

Gross ground area: 6,7 m<sup>2</sup>

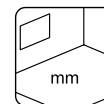


16+32 mm



A: 206 cm

B: 283 cm

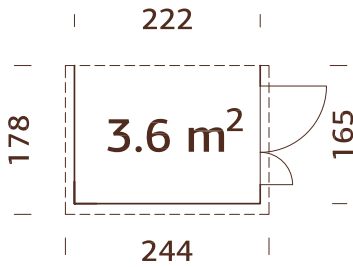


mm



# PALMAKO SHED MIA 3,6 m<sup>2</sup>

ARTICLE NUMBER: 101076

under  
2,5m

Door can be placed on opposite side.

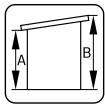
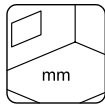
Ready-made wall elements.

One side wall is not included in the product set.

## TREATMENT OPTIONS


**101077**  
brown dip

**101079**  
grey dip

**101078**  
clear white dip
**16+32 mm**
**A: 173 cm**  
**B: 210 cm**

**Included**  
**16 mm**

## MODEL SPECIFICATIONS

### Wall measurements:

222x165 cm

Volume: 6,4 m<sup>3</sup>

### Door opening

measurements: 103x166 cm

Roof boards: 16 mm

Roof area: 4,4 m<sup>2</sup>

Roof gradient: 12,0°

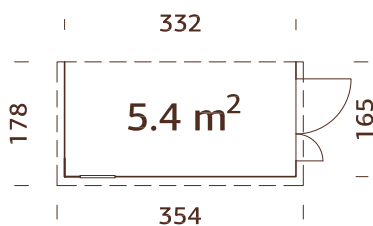
Gross ground area: 3,6 m<sup>2</sup>

## OPTIONAL

 Roofing felt (underlayer): 1 roll, SBS roofing material: 1 roll, roofing nails.  
 See Optional Products p. 324-345 for details.

# PALMAKO SHED MIA 5,4 m<sup>2</sup>

ARTICLE NUMBER: 101184

under  
2,5m

Door can be placed on opposite side.

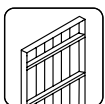
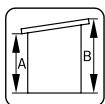
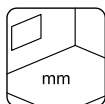
Ready-made wall elements.

One side wall is not included in the product set.

## TREATMENT OPTIONS


**101185**  
brown dip

**101187**  
grey dip

**101186**  
clear white dip
**16+32 mm**
**A: 173 cm**  
**B: 210 cm**

**Included**  
**16 mm**

## MODEL SPECIFICATIONS

### Wall measurements:

333x165 cm

Volume: 9,6 m<sup>3</sup>

### Door/window glass:

Acrylglas

### Fixed window,

measurements: 41x46 cm

### Door opening

measurements: 103x166 cm

Roof boards: 16 mm

Roof area: 6,3 m<sup>2</sup>

Roof gradient: 12,0°

Gross ground area: 5,5 m<sup>2</sup>

## OPTIONAL

 Roofing felt (underlayer): 1 roll, SBS roofing material: 1 roll, roofing nails.  
 See Optional Products p. 324-345 for details.

# PALMAKO SHED LEIF 2,2 m<sup>2</sup>

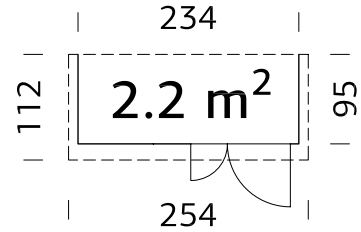
ARTICLE NUMBER: 101080

under  
2,5m



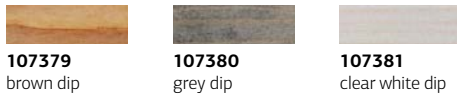
### MODEL SPECIFICATIONS

- Wall measurements:** 234x95 cm
- Volume:** 3,7 m<sup>3</sup>
- Door opening measurements:** 104x160 cm
- Roof boards:** 16 mm
- Roof area:** 2,8 m<sup>2</sup>
- Roof gradient:** 10,0°
- Gross ground area:** 2,2 m<sup>2</sup>



Ready-made wall elements.  
Back wall is not included in the product set.

### TREATMENT OPTIONS



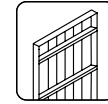
**107379**  
brown dip

**107380**  
grey dip

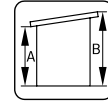
**107381**  
clear white dip

### OPTIONAL

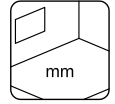
Roofing felt (underlayer): 1 roll, SBS roofing material: 1 roll, roofing nails. See Optional Products p. 324-345 for details.



**16+32 mm**



**A: 173 cm**  
**B: 189 cm**



**Included**  
**16 mm**

# PALMAKO SHED LEIF 3,0 m<sup>2</sup>

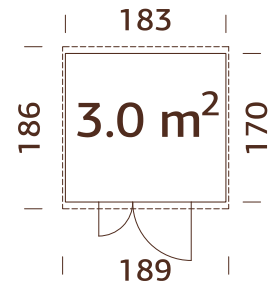
ARTICLE NUMBER: 101071

under  
2,5m



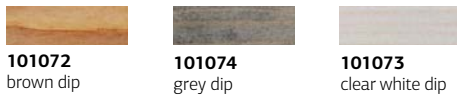
### MODEL SPECIFICATIONS

- Wall measurements:** 183x170 cm
- Volume:** 6,2 m<sup>3</sup>
- Door opening measurements:** 102x182 cm
- Roof boards:** 16 mm
- Roof area:** 3,5 m<sup>2</sup>
- Roof gradient:** 12,0°
- Gross ground area:** 3,1 m<sup>2</sup>



Ready-made wall elements.

### TREATMENT OPTIONS



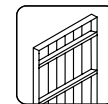
**101072**  
brown dip

**101074**  
grey dip

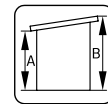
**101073**  
clear white dip

### OPTIONAL

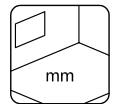
Roofing felt (underlayer): 1 roll, SBS roofing material: 1 roll, roofing nails. See Optional Products p. 324-345 for details.



**16+32 mm**



**A: 190 cm**  
**B: 230 cm**



**Included**  
**16 mm**

# PALMAKO SHED LEIF 4,5 m<sup>2</sup>

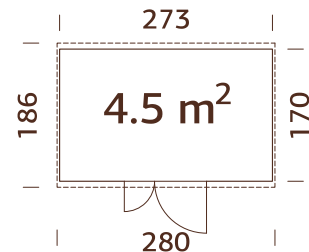
ARTICLE NUMBER: 101081

under  
2,5m



### MODEL SPECIFICATIONS

- Wall measurements:** 273x170 cm
- Volume:** 8,8 m<sup>3</sup>
- Door opening measurements:** 102x182 cm
- Roof boards:** 16 mm
- Roof area:** 5,2 m<sup>2</sup>
- Roof gradient:** 12,0°
- Gross ground area:** 4,6 m<sup>2</sup>



Ready-made wall elements.

### TREATMENT OPTIONS



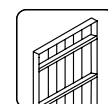
**101082**  
brown dip

**101084**  
grey dip

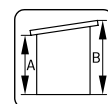
**101083**  
clear white dip

### OPTIONAL

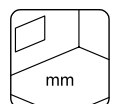
Roofing felt (underlayer): 1 roll, SBS roofing material: 1 roll, roofing nails. See Optional Products p. 324-345 for details.



**16+32 mm**



**A: 190 cm**  
**B: 230 cm**



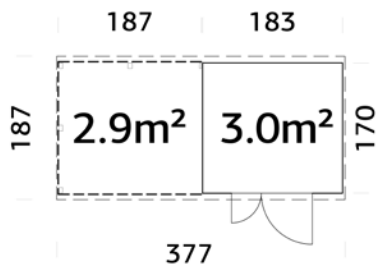
**Included**  
**16 mm**

# PALMAKO SHED LEIF 3,0+2,9 m<sup>2</sup>

ARTICLE NUMBER: 110981

under  
2,5m

NEW!



Ready made wall elements.

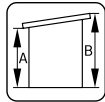
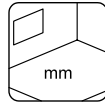
Can be built in reverse!

## TREATMENT OPTIONS


**110983**  
brown dip

**110984**  
grey dip

**110982**  
clear white dip

**16+32 mm**

**A: 188 cm**  
**B: 228 cm**

**Included**  
**16 mm**

## MODEL SPECIFICATIONS

**Wall measurements:**

370x170 cm

**Volume:** 6,2+6,2 m<sup>3</sup>
**Door opening**
**measurements:** 102x182 cm

**Roof boards:** 16 mm

**Roof area:** 7,0 m<sup>2</sup>
**Roof gradient:** 12,0°

**Gross ground area:** 6,3 m<sup>2</sup>

## OPTIONAL

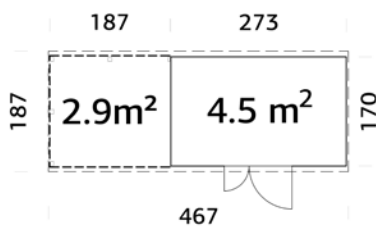
 Roofing felt (underlayer): 2 rolls, SBS roofing material: 2 rolls, roofing nails.  
See Optional Products p. 324-345 for details.

# PALMAKO SHED LEIF 4,5+2,9 m<sup>2</sup>

ARTICLE NUMBER: 111018

under  
2,5m

NEW!



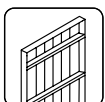
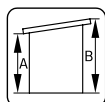
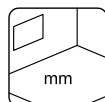
Ready made wall elements.

Can be built in reverse!

## TREATMENT OPTIONS


**111020**  
brown dip

**111021**  
grey dip

**111019**  
clear white dip

**16+32 mm**

**A: 188 cm**  
**B: 228 cm**

**Included**  
**16 mm**

## MODEL SPECIFICATIONS

**Wall measurements:**

460x170 cm

**Volume:** 8,8+6,2 m<sup>3</sup>
**Door opening**
**measurements:** 102x182 cm

**Roof boards:** 16 mm

**Roof area:** 8,7 m<sup>2</sup>
**Roof gradient:** 12,0°

**Gross ground area:** 7,8 m<sup>2</sup>

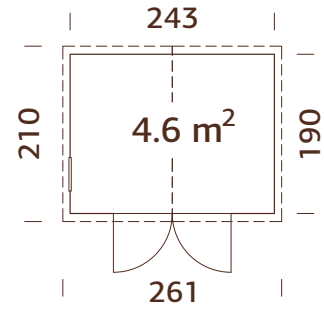
## OPTIONAL

 Roofing felt (underlayer): 2 rolls, SBS roofing material: 2 rolls, roofing nails.  
See Optional Products p. 324-345 for details.

# PALMAKO SHED DAN 4,5 m<sup>2</sup>

ARTICLE NUMBER: 101176

under  
2,5m



Ready-made wall elements.

## MODEL SPECIFICATIONS

### Wall measurements:

243x190 cm

Volume: 9,3 m<sup>3</sup>

Door/window glass:

Acrylglas

**Fixed window, measurements:**

44x44 cm

**Door opening measurements:**

138x182 cm

**Roof boards:** 16 mm

**Roof area:** 5,5 m<sup>2</sup>

**Roof gradient:** 16,0°

**Gross ground area:** 4,6 m<sup>2</sup>

## TREATMENT OPTIONS



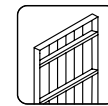
**101177**  
brown dip



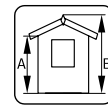
**101179**  
grey dip



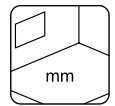
**101178**  
clear white dip



**16+32 mm**



**A: 190 cm**  
**B: 220 cm**



**Included**  
**16 mm**

## OPTIONAL

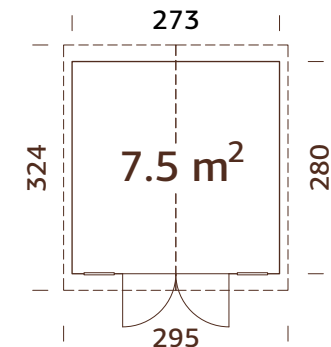
Roofing felt (underlayer): 1 roll, SBS roofing material: 1 roll, shingles: 3 packs, roofing nails.

See Optional Products p. 324-345 for details.

# PALMAKO SHED DAN 7,5 m<sup>2</sup>

ARTICLE NUMBER: 101198

under  
2,5m



Ready-made wall elements.

## MODEL SPECIFICATIONS

### Wall measurements:

273x280 cm

Volume: 15,5 m<sup>3</sup>

Door/window glass:

Acrylglas

**Fixed window, measurements:**

44x44 cm

**Door opening measurements:**

138x182 cm

138x182 cm

**Roof boards:** 16 mm

**Roof area:** 9,8 m<sup>2</sup>

**Roof gradient:** 14,0°

**Gross ground area:** 7,6 m<sup>2</sup>

## TREATMENT OPTIONS



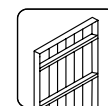
**101199**  
brown dip



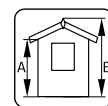
**101201**  
grey dip



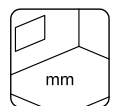
**101200**  
clear white dip



**16+32 mm**



**A: 190 cm**  
**B: 220 cm**



**Included**  
**16 mm**

## OPTIONAL

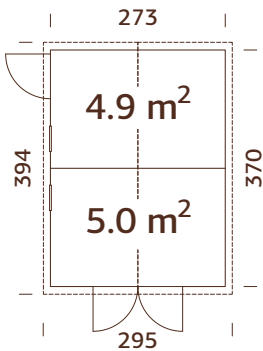
Roofing felt (underlayer): 2 rolls, SBS roofing material: 2 rolls, shingles: 4 packs, roofing nails.

See Optional Products p. 324-345 for details.



# PALMAKO SHED DAN 9,9 m<sup>2</sup>

ARTICLE NUMBER: 101206

under  
2,5m

Ready-made wall elements.

## TREATMENT OPTIONS



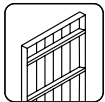
**101207**  
brown dip



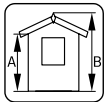
**101209**  
grey dip



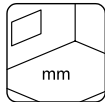
**101208**  
clear white dip



**16x32 mm**



**A: 190 cm**  
**B: 220 cm**



**Included**  
**16 mm**

## MODEL SPECIFICATIONS

### Wall measurements:

273x370 cm

**Volume:** 19,4 m<sup>3</sup>

### Door/window glass:

Acrylglas

### Fixed window, measurements:

44x44 cm

### Door opening measurements:

75x169 cm, 138x182 cm

**Roof boards:** 16 mm

**Roof area:** 12,0 m<sup>2</sup>

**Roof gradient:** 15,0°

**Gross ground area:** 10,1 m<sup>2</sup>

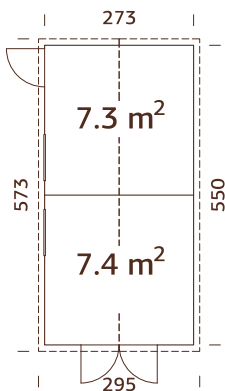
## OPTIONAL

Roofing felt (underlayer): 2 rolls, SBS roofing material: 2 rolls, shingles: 5 packs, roofing nails.

See Optional Products p. 324-345 for details.

# PALMAKO SHED DAN 14,7 m<sup>2</sup>

ARTICLE NUMBER: 101210

under  
2,5m

Ready-made wall elements.

## TREATMENT OPTIONS



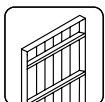
**101211**  
brown dip



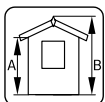
**101213**  
grey dip



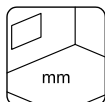
**101212**  
clear white dip



**16x32 mm**



**A: 190 cm**  
**B: 230 cm**



**Included**  
**16 mm**

## MODEL SPECIFICATIONS

### Wall measurements:

273x550 cm

**Volume:** 29,3 m<sup>3</sup>

### Door/window glass:

Acrylglas

### Fixed window, measurements:

44x44 cm

### Door opening measurements:

75x169 cm, 138x182 cm

75x169 cm, 138x182 cm

**Roof boards:** 16 mm

**Roof area:** 17,3 m<sup>2</sup>

**Roof gradient:** 15,5°

**Gross ground area:** 15,0 m<sup>2</sup>

## OPTIONAL

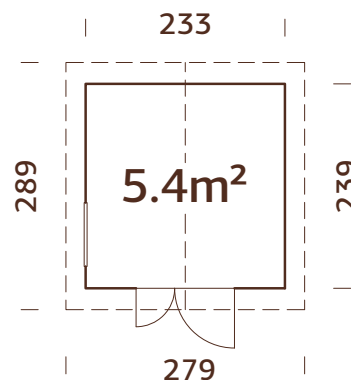
Roofing felt (underlayer): 3 rolls, SBS roofing material: 3 rolls, shingles: 7 packs, roofing nails.

See Optional Products p. 324-345 for details.

# PALMAKO SHED NILS 5,4 m<sup>2</sup>

ARTICLE NUMBER: 101180

under  
2,5m



Ready-made wall elements.

## MODEL SPECIFICATIONS

### Wall measurements:

233x239 cm

Volume: 11,5 m<sup>3</sup>

Window type: Shed

Window glass: Acrylglass

### Fixed window measurements:

70x46 cm

### Door opening measurements:

112x183 cm

Roof boards: 16 mm

Roof area: 8,4 m<sup>2</sup>

Roof gradient: 21,0°

Gross ground area: 5,6 m<sup>2</sup>

## TREATMENT OPTIONS



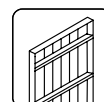
**101181**  
brown dip



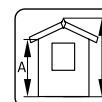
**101183**  
grey dip



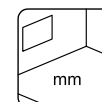
**101182**  
clear white dip



**16+32 mm**



**A: 188 cm**  
**B: 238 cm**



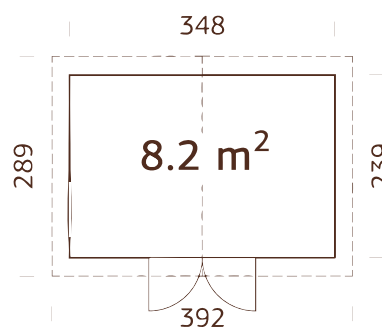
**Included**  
**16 mm**

## OPTIONAL

Roofing felt (underlayer): 2 rolls, SBS roofing material: 2 rolls, shingles: 4 packs, roofing nails, rain gutters.  
See Optional Products p. 324-345 for details.

# PALMAKO SHED NILS 8,2 m<sup>2</sup>

ARTICLE NUMBER: 101188



Ready-made wall elements.

## MODEL SPECIFICATIONS

### Wall measurements:

348x239 cm

Volume: 18,0 m<sup>3</sup>

Window type: Shed

Window glass: Acrylglass

### Fixed window measurements:

70x46 cm

### Door opening measurements:

135x182 cm

135x182 cm

Roof boards: 16 mm

Roof area: 11,9 m<sup>2</sup>

Roof gradient: 21,0°

Gross ground area: 8,3 m<sup>2</sup>

## TREATMENT OPTIONS



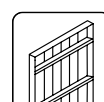
**101189**  
brown dip



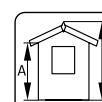
**101191**  
grey dip



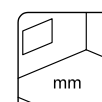
**101190**  
clear white dip



**16+32 mm**



**A: 188 cm**  
**B: 259 cm**



**Included**  
**16 mm**

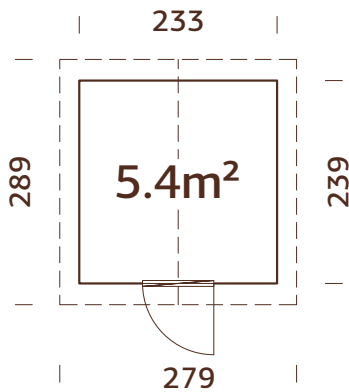
## OPTIONAL

Roofing felt (underlayer): 2 rolls, SBS roofing material: 2 rolls, shingles: 5 packs, roofing nails, rain gutters.  
See Optional Products p. 324-345 for details.

under  
2,5m

# PALMAKO SHED LUCAS 5,4 m<sup>2</sup>

ARTICLE NUMBER: 108617



## MODEL SPECIFICATIONS

### Wall measurements:

233x239 cm

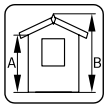
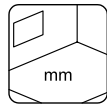
**Volume:** 11,5 m<sup>3</sup>**Door/window type:** Summer

### Door/window glass:

Real glass, 4 mm

**Door opening****measurements:** 78x181 cm**Roof boards:** 16 mm**Roof area:** 11,9 m<sup>2</sup>**Roof gradient:** 21,0°**Gross ground area:** 5,6 m<sup>2</sup>

Ready-made wall elements.

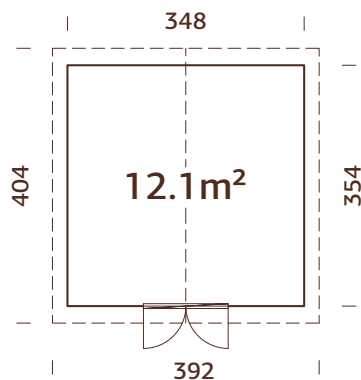
**16+32 mm****A: 188 cm**  
**B: 238 cm****Included**  
**16 mm**

## OPTIONAL

Roofing felt (underlayer): 2 rolls, SBS roofing material: 2 rolls, shingles: 5 packs, roofing nails, rain gutters, additional door. See Optional Products p. 324-345 for details.

# PALMAKO SHED LUCAS 12,1 m<sup>2</sup>

ARTICLE NUMBER: 108618



## MODEL SPECIFICATIONS

### Wall measurements:

348x354 cm

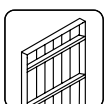
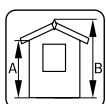
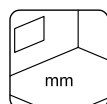
**Volume:** 26,7 m<sup>3</sup>**Door/window type:** Summer

### Door/window glass:

Real glass, 4 mm

**Door opening****measurements:** 117x191 cm**Roof boards:** 16 mm**Roof area:** 16,7 m<sup>2</sup>**Roof gradient:** 21,0°**Gross ground area:** 12,3 m<sup>2</sup>

Ready-made wall elements.

**16+32 mm****A: 188 cm**  
**B: 259 cm****Included**  
**16 mm**

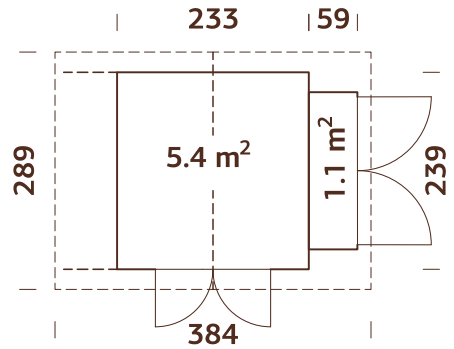
## OPTIONAL

Roofing felt (underlayer): 3 rolls, SBS roofing material: 3 rolls, shingles: 7 packs, roofing nails, rain gutters, additional door. See Optional Products p. 324-345 for details.

# PALMAKO SHED MARCUS 6,5 m<sup>2</sup>

ARTICLE NUMBER: 107218

under  
2,5m



Ready-made wall elements.

## MODEL SPECIFICATIONS

### Wall measurements:

233x239 cm

Volume: 13,5 m<sup>3</sup>

### Door/window glass:

Acrylglas

### Door opening

measurements:

135x183, 181x152 cm

Roof boards: 16 mm

Roof area: 11,2 m<sup>2</sup>

Roof gradient: 21,0°

Gross ground area: 7,0 m<sup>2</sup>

## TREATMENT OPTIONS



**107216**  
brown dip



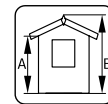
**107217**  
grey dip



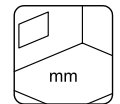
**107219**  
clear white dip



**16+32 mm**



**A: 188 cm**  
**B: 240 cm**



**Included**  
**16 mm**

## OPTIONAL

Roofing felt (underlayer): 2 rolls, SBS roofing material: 2 rolls, shingles: 5 packs, roofing nails.

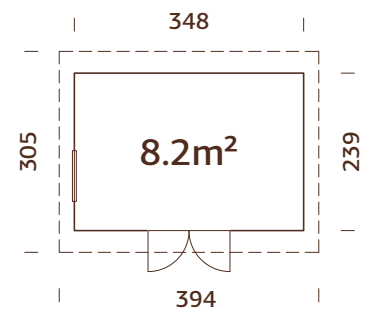
See Optional Products p. 324-345 for details.

# PALMAKO SHED STIG 8,2 m<sup>2</sup>

ARTICLE NUMBER: 110073

under  
2,5m

NEW!



Ready-made wall elements.

## MODEL SPECIFICATIONS

### Wall measurements:

348x239 cm

Volume: 18,8 m<sup>3</sup>

### Door/window type:

Summer

### Door/window glass:

Acrylglas

### Fixed window

measurements: 71x54 cm

### Door opening

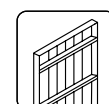
measurements: 138x181 cm

Roof boards: 16 mm

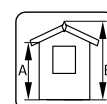
Roof area: 11,6 m<sup>2</sup>

Roof gradient: 5,0°

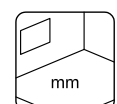
Gross ground area: 8,4 m<sup>2</sup>



**16+32 mm**



**A: 205 cm**  
**B: 250 cm**



**Included**  
**16 mm**

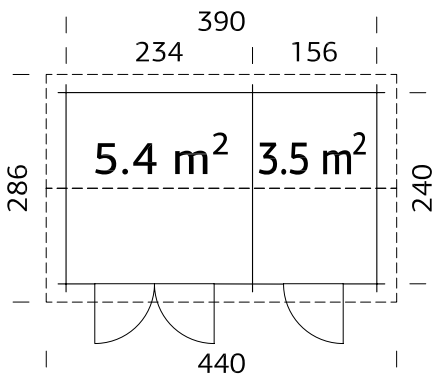
## OPTIONAL

Roofing felt (underlayer): 2 rolls, SBS roofing material: 2 rolls, roofing nails, EPDM, rain gutters, additional door.

See Optional Products p. 324-345 for details.

# PALMAKO SHED JARI 8,9 m<sup>2</sup>

ARTICLE NUMBER: 101324

under  
2,5m

## TREATMENT OPTIONS



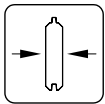
**101325**  
brown dip



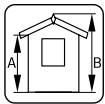
**101327**  
grey dip



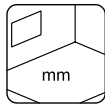
**101326**  
clear white dip



**28 mm**



**A: 211 cm**  
**B: 249 cm**



**Included**  
**19 mm**

## MODEL SPECIFICATIONS

### Log measurements:

410x260 cm

**Volume:** 20,8 m<sup>3</sup>

### Door opening

**measurements:**

156x180 cm, 78x180 cm

**Roof boards:** 19 mm

**Roof area:** 13,1 m<sup>2</sup>

**Roof gradient:** 15,2°

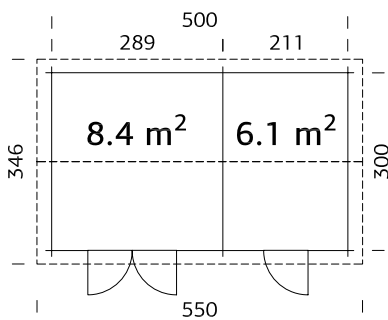
**Gross ground area:** 9,4 m<sup>2</sup>

## OPTIONAL

Roofing felt (underlayer): 2 rolls, SBS roofing material: 2 rolls, shingles: 6 packs, roofing nails, rain gutters. See Optional Products p. 324-345 for details.

# PALMAKO SHED JARI 14,5 m<sup>2</sup>

ARTICLE NUMBER: 101338

under  
2,5m

## TREATMENT OPTIONS



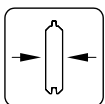
**101339**  
brown dip



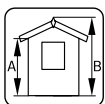
**101341**  
grey dip



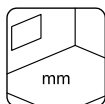
**101340**  
clear white dip



**28 mm**



**A: 211 cm**  
**B: 249 cm**



**Included**  
**19 mm**

## MODEL SPECIFICATIONS

### Log measurements:

520x320 cm

**Volume:** 33,7 m<sup>3</sup>

### Door opening

**measurements:**

156x180 cm, 78x180 cm

**Roof boards:** 19 mm

**Roof area:** 19,6 m<sup>2</sup>

**Roof gradient:** 14,9°

**Gross ground area:** 15,0 m<sup>2</sup>

## OPTIONAL

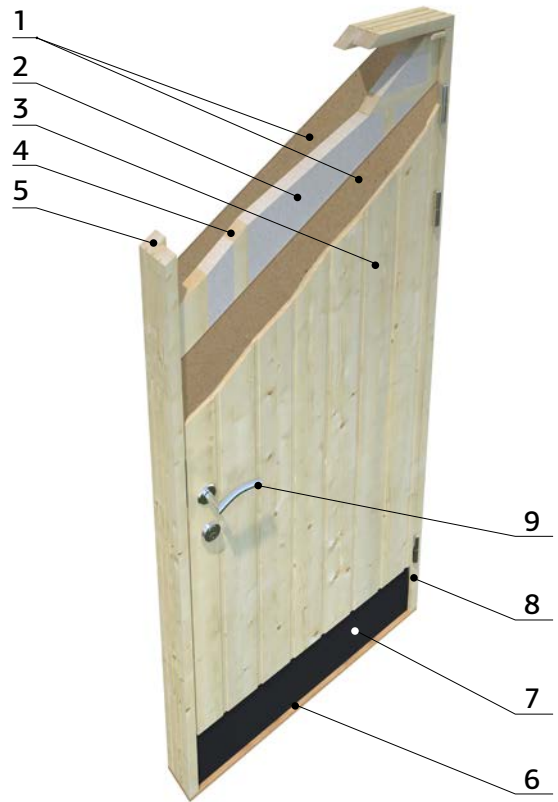
Roofing felt (underlayer): 5 rolls, SBS roofing material: 5 rolls, shingles: 8 packs, roofing nails, rain gutters. See Optional Products p. 324-345 for details.

# THE DOOR QUALITY OF MARTIN, OLAF AND KALLE SHEDS

Contemporary-style buildings including Martin, Olaf and Kalle sheds have ready-made wall elements that are covered inside with wind and moisture protection plastic, making these houses extremely weatherproof. A model contains a set of wall and window-door elements which can be rearranged in several ways. Simple construction allows for fast and easy assembly.

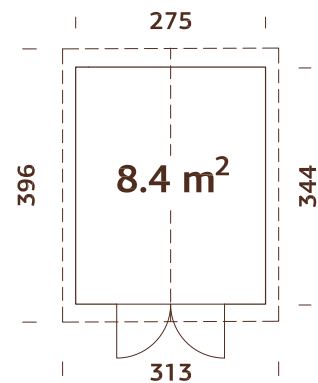
These models also have 32 mm EPS (expanded polystyrene) insulated doors, which make them especially rain and wind resistant. Please study the drawing.

1. HDF 3mm
2. EPS 50 32mm insulation
3. Wooden cladding 12x114mm
4. Wooden skeleton 32x40mm
5. Wooden laminated frame 44x90mm
6. Hardwood 28x78mm threshold
7. Metal kick plate 0,5mm covered with black pural matt coating
8. Hinge 115x84x3mm (3x)
9. 2018 lock and lock box



## PALMAKO SHED MARTIN 8,4 m<sup>2</sup>

ARTICLE NUMBER: 101086



### MODEL SPECIFICATIONS

**Wall measurements:**

275x344 cm

**Volume:** 21,0 m<sup>3</sup>

**Door/window type:**

Summer

**Door opening measurements:**

138x181 cm

**Door sill:** hard wood

**Roof boards:** 19 mm

**Roof area:** 12,5 m<sup>2</sup>

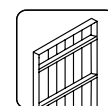
**Roof gradient:** 20,0°

**Gross ground area:** 9,5 m<sup>2</sup>

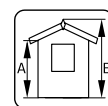
Ready-made wall elements with wind protection plastic!  
Trendy look! Fine-sawn cladding.

### OPTIONAL

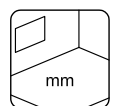
Roofing felt (underlayer): 2 rolls, SBS roofing material: 2 rolls, shingles: 4 packs, roofing nails, rain gutters, additional door. See Optional Products p. 324-345 for details.



**18+70 mm**



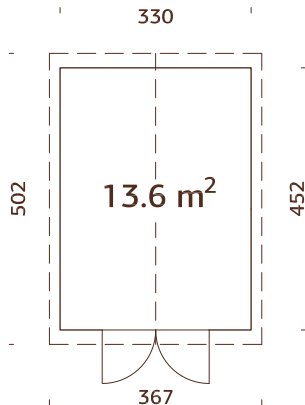
**A: 209 cm**  
**B: 267 cm**



**Included**  
**19 mm**

# PALMAKO SHED MARTIN 13,6 m<sup>2</sup>

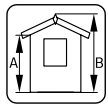
ARTICLE NUMBER: 101045



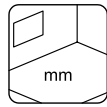
Ready-made wall elements  
with wind protection plastic!  
Trendy look! Fine-sawn cladding.



18+70 mm



A: 203 cm  
B: 296 cm



Included  
19 mm

## MODEL SPECIFICATIONS

### Wall measurements:

330x452 cm

Volume: 35,2 m<sup>3</sup>

### Door/window type:

Summer

### Door opening

measurements:

138x181 cm

Door sill: hard wood

Roof boards: 19 mm

Roof area: 19,5 m<sup>2</sup>

Roof gradient: 20,0°

Gross ground area: 14,9 m<sup>2</sup>

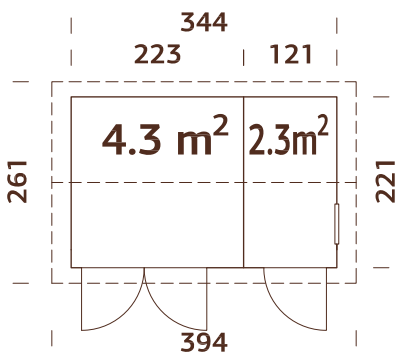
## OPTIONAL

Roofing felt (underlayer): 5 rolls, SBS roofing material: 5 rolls, shingles: 8 packs, roofing nails, rain gutters, additional door. See Optional Products p.324-345 for details.

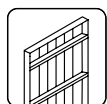
# PALMAKO SHED OLAF 6,6 m<sup>2</sup>

ARTICLE NUMBER: 101229

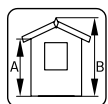
under  
2,5m



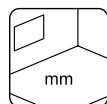
Ready-made wall elements with  
wind protection plastic!  
Trendy look! Fine-sawn cladding.



18+70 mm



A: 209 cm  
B: 247 cm



Included  
19 mm

## MODEL SPECIFICATIONS

### Wall measurements:

344x221 cm

Volume: 14,8 m<sup>3</sup>

Door/window type: Summer

Door/window glass:

Real glass, 4 mm

### Fixed window,

measurements: 50x54 cm

### Door opening

measurements:

78x181 cm, 138x181 cm

Door sill: hard wood

Roof boards: 19 mm

Roof area: 10,3 m<sup>2</sup>

Roof gradient: 15,0°

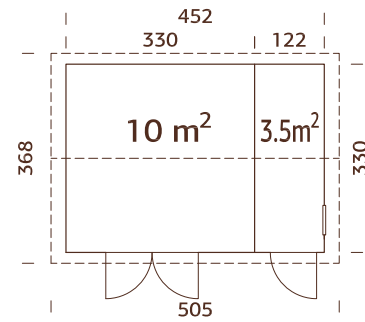
Gross ground area: 7,6 m<sup>2</sup>

## OPTIONAL

Roofing felt (underlayer): 2 rolls, SBS roofing material: 2 rolls, shingles: 5 packs, roofing nails, rain gutters, additional door and window. See Optional Products p. 324-345 for details.

# PALMAKO SHED OLAF 13,5 m<sup>2</sup>

ARTICLE NUMBER: 101231



Ready-made wall elements with wind protection plastic!  
Trendy look! Fine-sawn cladding.

## MODEL SPECIFICATIONS

### Wall measurements:

452x330 cm

**Volume:** 33,8 m<sup>3</sup>

**Door/window type:** Summer

**Door/window glass:**

Real glass, 4 mm

### Fixed window, measurements:

50x54 cm

**Door opening**

**measurements:**

78x181 cm, 138x181 cm

**Door sill:** hard wood

**Roof boards:** 19 mm

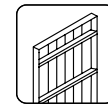
**Roof area:** 18,8 m<sup>2</sup>

**Roof gradient:** 15,0°

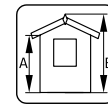
**Gross ground area:** 14,9 m<sup>2</sup>

## OPTIONAL

Roofing felt (underlayer): 3 rolls, SBS roofing material: 3 rolls, shingles: 8 packs, roofing nails, rain gutters, additional door and window. See Optional Products p. 324-345 for details.

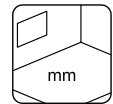


**18+70 mm**



**A: 209 cm**

**B: 261 cm**

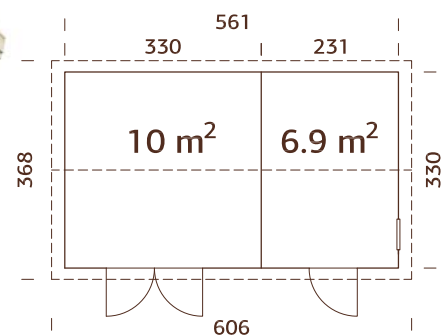


**Included**

**19 mm**

# PALMAKO SHED OLAF 16,9 m<sup>2</sup>

ARTICLE NUMBER: 101236



Ready-made wall elements with wind protection plastic!  
Trendy look! Fine-sawn cladding.

## MODEL SPECIFICATIONS

### Wall measurements:

561x330 cm

**Volume:** 41,5 m<sup>3</sup>

**Door/window type:** Summer

**Door/window glass:**

Real glass, 4 mm

### Fixed window, measurements:

50x54 cm

**Door opening**

**measurements:**

78x181 cm, 138x181 cm

**Door sill:** hard wood

**Roof boards:** 19 mm

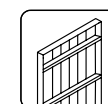
**Roof area:** 22,6 m<sup>2</sup>

**Roof gradient:** 15,0°

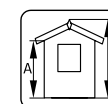
**Gross ground area:** 18,5 m<sup>2</sup>

## OPTIONAL

Roofing felt (underlayer): 5 rolls, SBS roofing material: 5 rolls, shingles: 8 packs, roofing nails, rain gutters, additional door and window. See Optional Products p. 324-345 for details.

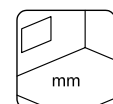


**18+70 mm**



**A: 210 cm**

**B: 261 cm**



**Included**

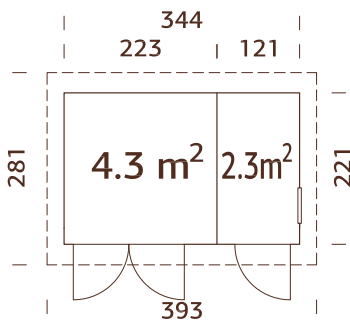
**19 mm**



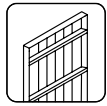
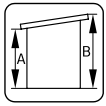
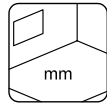
under  
2,5m

# PALMAKO SHED KALLE 6,6 m<sup>2</sup>

ARTICLE NUMBER: 101228



Ready-made wall elements with  
wind protection plastic!  
Trendy look! Fine-sawn cladding.

**18+70 mm****A: 209 cm**  
**B: 249 cm****Included**  
**19 mm**

## MODEL SPECIFICATIONS

**Wall measurements:**

344x221 cm

**Volume:** 16,0 m<sup>3</sup>**Door/window type:** Summer**Door/window glass:**

Real glass, 4 mm

**Fixed window, measurements:**

50x54 cm

**Door opening measurements:**

78x181 cm, 138x181 cm

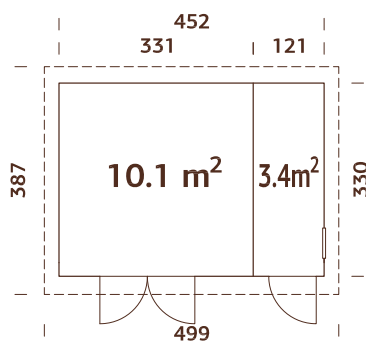
**Door sill:** hard wood**Roof boards:** 19 mm**Roof area:** 11,0 m<sup>2</sup>**Roof gradient:** 4,8°**Gross ground area:** 7,6 m<sup>2</sup>

## OPTIONAL

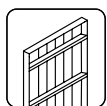
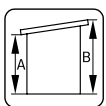
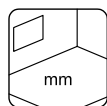
Roofing felt (underlayer): 2 rolls, SBS roofing material: 2 rolls, roofing nails, rain gutters, additional door and window. See Optional Products p. 324-345 for details.

# PALMAKO SHED KALLE 13,5 m<sup>2</sup>

ARTICLE NUMBER: 101232



Ready-made wall elements with  
wind protection plastic!  
Trendy look! Fine-sawn cladding.

**18+70 mm****A: 209 cm**  
**B: 259 cm****Included**  
**19 mm**

Scan this QR-code  
to see the assembly  
of Kalle 13,5 m<sup>2</sup>!

## MODEL SPECIFICATIONS

**Wall measurements:**

452x330 cm

**Volume:** 34,1 m<sup>3</sup>**Door/window type:** Summer**Door/window glass:**

Real glass, 4 mm

**Fixed window, measurements:**

50x54 cm

**Door opening measurements:**

78x181 cm, 138x181 cm

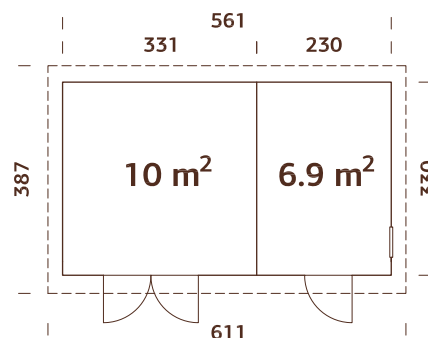
**Door sill:** hard wood**Roof boards:** 19 mm**Roof area:** 19,8 m<sup>2</sup>**Roof gradient:** 4,4°**Gross ground area:** 14,9 m<sup>2</sup>

## OPTIONAL

Roofing felt (underlayer): 3 rolls, SBS roofing material: 3 rolls, roofing nails, rain gutters, additional door and window. See Optional Products p. 324-345 for details.

# PALMAKO SHED KALLE 16,9 m<sup>2</sup>

ARTICLE NUMBER: 101056



## MODEL SPECIFICATIONS

### Wall measurements:

561x330 cm

Volume: 41,5 m<sup>3</sup>

Door/window type: Summer

Door/window glass:

Real glass, 4 mm

**Fixed window, measurements:**

50x54 cm

**Door opening**

**measurements:**

78x181 cm, 138x181 cm

**Door sill: hard wood**

**Roof boards: 19 mm**

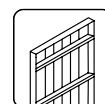
**Roof area: 23,4 m<sup>2</sup>**

**Roof gradient: 4,4°**

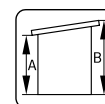
**Gross ground area: 18,5 m<sup>2</sup>**

Ready-made wall elements with wind protection plastic!

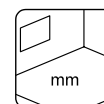
Trendy look! Fine-sawn cladding.



**18+70 mm**



**A: 210 cm  
B: 259 cm**



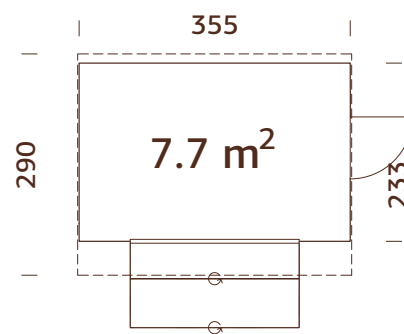
**Included  
19 mm**

## OPTIONAL

Roofing felt (underlayer): 5 rolls, SBS roofing material: 5 rolls, roofing nails, rain gutters, additional door and window. See Optional Products p. 324-345 for details.

# PALMAKO KIOSK KIRA 7,7 m<sup>2</sup>

ARTICLE NUMBER: 109668



## MODEL SPECIFICATIONS

### Wall measurements:

355x233 cm

Volume: 21,7 m<sup>3</sup>

Door/window type: Summer

Door opening

measurements: 78x181 cm

**Window opening**

**measurements: 202x103 cm**

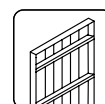
**Roof boards: 19 mm**

**Roof area: 10,4 m<sup>2</sup>**

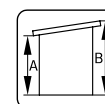
**Roof gradient: 7,0°**

**Gross ground area: 8,2 m<sup>2</sup>**

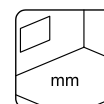
Ready-made wall elements.



**16+32 mm**



**A: 209 cm  
B: 264 cm**



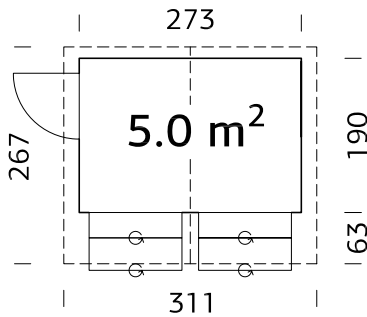
**Included  
19 mm**

## OPTIONAL

Roofing felt (underlayer): 2 rolls, SBS roofing material: 2 rolls, roofing nails, EPDM, rain gutters, additional door and window. See Optional Products p. 324-345 for details.

# PALMAKO KIOSK STELLA 5,0 m<sup>2</sup>

ARTICLE NUMBER: 101137

under  
2,5m

Ready-made wall elements.

## TREATMENT OPTIONS



**101138**  
brown dip



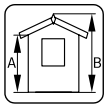
**101140**  
grey dip



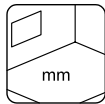
**101139**  
clear white dip



**16+32 mm**



**A: 189 cm**  
**B: 229 cm**



**NB! Floor is an optional extra! 16 mm**

## MODEL SPECIFICATIONS

### Wall measurements:

273x190 cm

**Volume:** 10,2 m<sup>3</sup>

**Window opening measurements:**

118x82 cm

### Door opening measurements:

76x169 cm

**Roof boards:** 16 mm

**Roof area:** 8,5 m<sup>2</sup>

**Roof gradient:** 14,6°

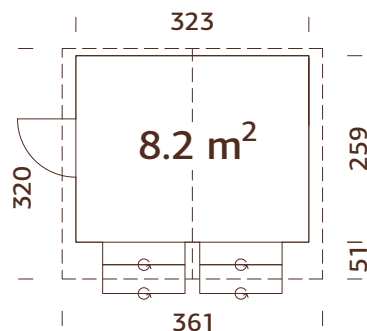
**Gross ground area:** 5,2 m<sup>2</sup>

## OPTIONAL

Floor, roofing felt (underlayer): 2 rolls, SBS roofing material: 2 rolls, shingles: 4 packs, roofing nails.  
See Optional Products p. 324-345 for details.

# PALMAKO KIOSK STELLA 8,2 m<sup>2</sup>

ARTICLE NUMBER: 101141

under  
2,5m

Ready-made wall elements.

## TREATMENT OPTIONS



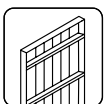
**101142**  
brown dip



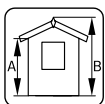
**101144**  
grey dip



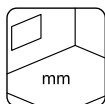
**101143**  
clear white dip



**16+32 mm**



**A: 189 cm**  
**B: 239 cm**



**NB! Floor is an optional extra! 16 mm**

## MODEL SPECIFICATIONS

### Wall measurements:

323x259 cm

**Volume:** 17,7 m<sup>3</sup>

**Window opening measurements:**

118x82 cm

### Door opening measurements:

76x169 cm

**Roof boards:** 16 mm

**Roof area:** 12,0 m<sup>2</sup>

**Roof gradient:** 15,0°

**Gross ground area:** 8,4 m<sup>2</sup>

## OPTIONAL

Floor, roofing felt (underlayer): 2 rolls, SBS roofing material: 2 rolls, shingles: 5 packs, roofing nails.  
See Optional Products p. 324-345 for details.

# OPTIONAL PRODUCTS

SEE OPTIONAL PRODUCTS, PAGES 324-345

House	Art. No.	Floor <sup>1</sup>	Roofing felt, rolls	SBS roofing material, rolls	Shingles <sup>2</sup> , packs	Roofing nails, 1 kg	EPDM <sup>3</sup>	Rain gutters	Additional door
Mia 3,6 m <sup>2</sup>	101076		107210, 1 roll	107214, 1 roll		107930			
Mia 5,4 m <sup>2</sup>	101184		107210, 1 roll	107214, 1 roll		107930			
Leif 2,2 m <sup>2</sup>	101080		107210, 1 roll	107214, 2 rolls		107930			
Leif 3,0 m <sup>2</sup>	101071		107210, 1 roll	107214, 2 rolls		107930			
Leif 4,5 m <sup>2</sup>	101081		107210, 1 roll	107214, 1 roll		107930			
Leif 3,0+2,9 m <sup>2</sup>	110981		107210, 2 rolls	107214, 2 rolls		107930			
Leif 4,5+2,9 m <sup>2</sup>	111018		107210, 2 rolls	107214, 2 rolls		107930			
Dan 4,5 m <sup>2</sup>	101176		107210, 1 roll	107214, 1 roll	3 packs	107930			
Dan 7,5 m <sup>2</sup>	101198		107210, 2 rolls	107214, 2 rolls	4 packs	107930			
Dan 9,9 m <sup>2</sup>	101206		107210, 2 rolls	107214, 2 rolls	5 packs	107930			
Dan 14,7 m <sup>2</sup>	101210		107210, 3 rolls	107214, 3 rolls	7 packs	107930			
Nils 5,4 m <sup>2</sup>	101180		107210, 2 rolls	107214, 2 rolls	4 packs	107930	106629		
Nils 8,2 m <sup>2</sup>	101188		107210, 2 rolls	107214, 2 rolls	5 packs	107930	106629		
Lucas 5,4 m <sup>2</sup>	108617		107210, 2 rolls	107214, 2 rolls	5 packs	107930	106629	109101	
Lucas 12,1 m <sup>2</sup>	108618		107210, 3 rolls	107214, 3 rolls	7 packs	107930	106630	109094	
Marcus 6,5 m <sup>2</sup>	107218		107210, 2 rolls	107214, 2 rolls	5 packs	107930			
Stig 8,2 m <sup>2</sup>	110073		107210, 2 rolls	107214, 2 rolls		107930	107169	106627	109093
Jari 8,9 m <sup>2</sup>	101324		107210, 2 rolls	107214, 2 rolls	6 packs	107930	106631		
Jari 14,5 m <sup>2</sup>	101358		107210, 5 rolls	107214, 5 rolls	8 packs	107930	106632		

<sup>1</sup> Includes treated joists. <sup>2</sup> Shingles are available in different colours - 107180 = Black, 107182 = Red, 107183 = Green, 107181 = Brown. <sup>3</sup> Includes glue for EPDM installation. Read more about EPDM p. 331. The article number is indicated to untreated items, for treated items ask our sales team.

# OPTIONAL PRODUCTS

SEE OPTIONAL PRODUCTS, PAGES 324-345

House	Art. No.	Floor <sup>1</sup>	Roofing felt, rolls	SBS roofing material, rolls	Shingles <sup>2</sup> , packs	Roofing nails, 1 kg	EPDM <sup>3</sup>	Rain gutters	Additional door
Martin 8,4 m <sup>2</sup>	101066		107210, 2 rolls	107214, 2 rolls	4 packs	107930		106630	109093
Martin 13,6 m <sup>2</sup>	101045		107210, 5 rolls	107214, 5 rolls	8 packs	107930		106632	109093
Olaf 6,6 m <sup>2</sup>	101229		107210, 2 rolls	107214, 2 rolls	5 packs	107930		106630	109100, 109093
Olaf 13,5 m <sup>2</sup>	101231		107210, 3 rolls	107214, 3 rolls	8 packs	107930		106632	109100, 109093
Olaf 16,9 m <sup>2</sup>	101236		107210, 5 rolls	107214, 5 rolls	8 packs	107930		106629 + 106630	109100, 109093
Kalle 6,6 m <sup>2</sup>	101228		107210, 2 rolls	107214, 2 rolls		107930		106627	109100, 109093
Kalle 13,5 m <sup>2</sup>	101232		107210, 3 rolls	107214, 3 rolls		107930		106628	109100, 109093
Kalle 16,9 m <sup>2</sup>	101056		107210, 5 rolls	107214, 5 rolls		107930		106626 + 106627	109100, 109093
Kira 7,7 m <sup>2</sup>	109668		107210, 2 rolls	107214, 2 rolls		107930	107169	106627	109100
Stella 5,0 m <sup>2</sup>	101137	102883	107210, 2 rolls	107214, 2 rolls	4 packs	107930			
Stella 8,2 m <sup>2</sup>	101141	102924	107210, 2 rolls	107214, 2 rolls	5 packs	107930			

<sup>1</sup> Includes treated joists. <sup>2</sup> Shingles are available in different colours - 107180 = Black, 107182 = Red, 107183 = Green, 107181 = Brown. <sup>3</sup> Includes glue for EPDM installation. Read more about EPDM p. 331. The article number is indicated to untreated items, for treated items ask our sales team.

