



# MODERN LOOK

PALMAKO MODERN  
LOOK HOUSES

120-131

# GRACE FAMILY BY PALMAKO



**Palmako's new Modern Look Grace family houses are born from constant unrest to create something new and exciting.**

**These cabins are extraordinary due to the innovative solution for wall construction – special profile of glue laminated timber wall panels. Glue laminated timber is stable and durable base material, that is also wonderfully easy to set up.**

**The creation of such products is possible, since Palmako's investment into the new fully automatic production line of laminated timber.**

Glue laminated wood ensures, that the building does not sink after completing. Unlike conventional laminated timber houses, new wall panel profile is unique - it is thin and high and the tenon joints stay tighter by being covered with a slat.

To reach the full height of the house, only 4 panels on top of each other are needed. When the lifting height of an ordinary milling beam is 114 mm, the new wall panel has a lifting height of 518 mm, which means that the surface of the wall remains smoother. Laminated timber is stable (no expansion-contraction or distortion), has a beautiful structure (no fissures

or defects) and has a good fire resistance and heat insulation.

New innovative garden house family has seven modern cabins. The first four, Grace 8,1+4,1 m<sup>2</sup>, Grace 8,1+8,1 m<sup>2</sup>, Grace 12,4+4,1 m<sup>2</sup> and Grace 14,5 m<sup>2</sup>, differ only in size and purpose. Why not create a cozy home office in a small cabin with a shorter canopy roof or use the Grace with a longer canopy roof as a sauna or pool house. Grace 12.4+4.1 m<sup>2</sup> with two rooms is perfect for accommodate friends or relatives. The largest Grace can probably obtain the most functions.

The next three cabins, Grace 11,2 m<sup>2</sup> Slide Plus, Grace 11,2+8,2 m<sup>2</sup> Slide Plus and Grace 14,1 m<sup>2</sup> Slide Plus, take the Modern Look category to the next level. These house models have sliding doors with double toughened 4-16-4 mm glass. The large glass surfaces let more light into the house and allow a great view from inside out. The dark grey colour RAL7016 of the sliding doors frame suits well with any treatment. Please read more about the sliding doors on pages 340-341.



**All Modern Look garden houses use innovative glue laminated wall panels.** Lifting height of 518 mm makes an installation of the house easy and fast.

**Modern wall corner connection** of glue laminated wall panels is fixed with dowels and secured by screws.

**Stable and weatherproof** corner and log connections are guaranteed by using self-adhesive sealing.



**Premium quality windows and door**

The quality of Grace houses doors and windows is the best in its class. Laminated timber door frames, high quality classy oak-aluminium combined door sill, double toughened glass and premium lock system. Windows are with one-hand tilt-and-turn system with double toughened glass.

**Foundation joists and floor boards**

Foundation joists of the Grace houses are treated to guarantee long lifetime to the basis of the house. Solid 28 mm floor boards and floor slats are included in the house kit.

**Roof construction**

Strong glue laminated rafters carry 19 mm roof boards. To ensure water resistance of roof, we strongly recommend to use solid EPDM roof covering for these pent roof house models.

**Paint finishing options**

The doors/windows can be delivered from the factory with paint finishing, and the colour shade can be chosen from RAL colour chart. The most popular colour tones are:



RAL 1001



RAL 3009



RAL 6006



RAL 7016



RAL 9005



RAL 9010

NB! Colours as shown in the catalogue may vary from the actual colours.



PALMAKO MODERN  
LOOK HOUSE  
GRACE 8,1+4,1 m<sup>2</sup>



PALMAKO MODERN  
LOOK HOUSE  
GRACE 8,1+8,1 m<sup>2</sup>



PALMAKO MODERN  
LOOK HOUSE  
GRACE 12,4+4,1 m<sup>2</sup>



PALMAKO MODERN  
LOOK HOUSE  
GRACE 14,5 m<sup>2</sup>



NEW

PALMAKO MODERN  
LOOK HOUSE  
GRACE 11,2 m<sup>2</sup> SLIDE PLUS



NEW

PALMAKO MODERN  
LOOK HOUSE  
GRACE 11,2+8,2 m<sup>2</sup> SLIDE PLUS



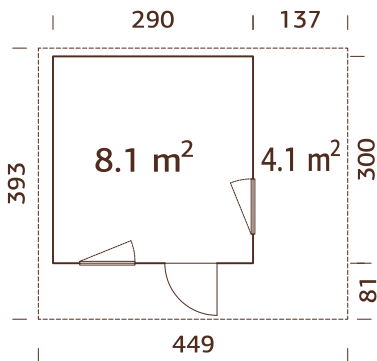
NEW

PALMAKO MODERN  
LOOK HOUSE  
GRACE 14,1 m<sup>2</sup> SLIDE PLUS

# PALMAKO MODERN LOOK HOUSE GRACE

ARTICLE NUMBER: 108586

8,1+4,1 m<sup>2</sup>



## MODEL SPECIFICATIONS

### Wall measurements:

290+137x300 cm

Volume: 18,8 m<sup>3</sup>

Door/window type: Living

Door/window glass: Double toughened glass, 4-18-4 mm

### Window opening

measurements: 50x150 cm

### Door opening

measurements: 70x193 cm

Door sill: high quality classy oak-aluminium combined door sill

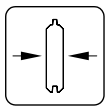
Roof boards: 19 mm

Roof area: 17,5 m<sup>2</sup>

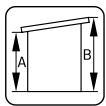
Roof gradient: 5,0°

Gross ground area: 8,7+4,1 m<sup>2</sup>

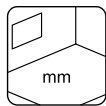
Glue laminated wall panels.  
Strong purlins from laminated wood.



56 mm



A: 215 cm  
B: 258 cm



Included  
28 mm

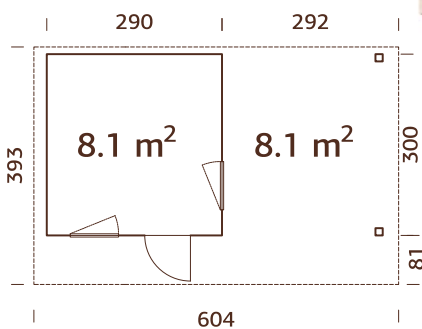
### OPTIONAL

Roofing felt (underlayer): 3 rolls, SBS roofing material: 3 rolls, roofing nails, EPDM, rain gutters, additional door and window. See Optional Products p. 324-345 for details.

# PALMAKO MODERN LOOK HOUSE GRACE

ARTICLE NUMBER: 108587

8,1+8,1 m<sup>2</sup>



## MODEL SPECIFICATIONS

### Wall measurements:

290+292x300 cm

Volume: 18,8 m<sup>3</sup>

Door/window type: Living

Door/window glass: Double toughened glass, 4-18-4 mm

### Window opening

measurements: 50x150 cm

### Door opening

measurements: 70x193 cm

Door sill: high quality classy oak-aluminium combined door sill

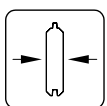
Roof boards: 19 mm

Roof area: 23,7 m<sup>2</sup>

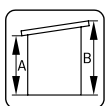
Roof gradient: 5,0°

Gross ground area: 8,7+8,1 m<sup>2</sup>

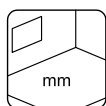
Glue laminated wall panels.  
Strong purlins from laminated wood.



56 mm



A: 215 cm  
B: 258 cm



Included  
28 mm

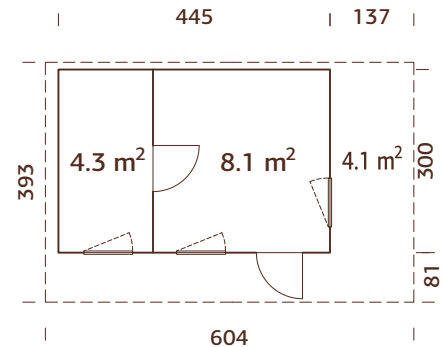
### OPTIONAL

Roofing felt (underlayer): 5 rolls, SBS roofing material: 5 rolls, roofing nails, EPDM, rain gutters, additional door and window. See Optional Products p. 324-345 for details.

# PALMAKO MODERN LOOK HOUSE GRACE

ARTICLE NUMBER: 108588

12,4+4,1 m<sup>2</sup>



## MODEL SPECIFICATIONS

### Wall measurements:

445+137x300 cm

Volume: 28,8 m<sup>3</sup>

Door/window type: Living

Door/window glass: Double toughened glass, 4-18-4 mm

### Window opening

measurements: 50x150 cm

### Door opening

measurements: 70x193 cm

Door sill: high quality classy oak-aluminium combined door sill

Roof boards: 19 mm

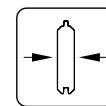
Roof area: 23,7 m<sup>2</sup>

Roof gradient: 5,0°

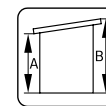
Gross ground area: 13,4+4,1 m<sup>2</sup>

Glue laminated wall panels.

Strong purlins from laminated wood.

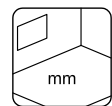


56 mm



A: 215 cm

B: 258 cm



Included

28 mm

## OPTIONAL

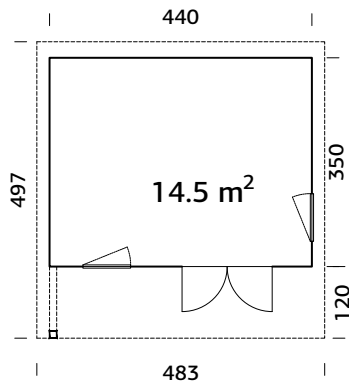
Roofing felt (underlayer): 5 rolls, SBS roofing material: 5 rolls, roofing nails, EPDM, rain gutters, additional door and window.

See Optional Products p. 324-345 for details.

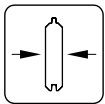


# PALMAKO MODERN LOOK HOUSE GRACE 14,5m<sup>2</sup>

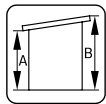
ARTICLE NUMBER: 108922



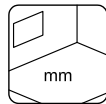
Glue laminated wall panels.  
Strong purlins from laminated wood.



56 mm



A: 227 cm  
B: 279 cm



Included  
28 mm

## MODEL SPECIFICATIONS

### Wall measurements:

440x350 cm

Volume: 35,2 m<sup>3</sup>

Door/window type: Living

Door/window glass: Double  
toughened glass, 4-18-4 mm

### Window opening

measurements: 50x150 cm

### Door opening

measurements: 150x188 cm

Door sill: high quality classy  
oak-aluminium combined  
door sill

Roof boards: 19 mm

Roof area: 24,0 m<sup>2</sup>

Roof gradient: 5,0°

Gross ground area:  
15,4 m<sup>2</sup>

## OPTIONAL

Roofing felt (underlayer): 4 rolls, SBS roofing material: 4 rolls, roofing nails, EPDM, rain gutters, additional door and window. See Optional Products p. 324-345 for details.



# PALMAKO MODERN LOOK HOUSE GRACE

NEW!

ARTICLE NUMBER: 110998

11,2m<sup>2</sup> SLIDE PLUS

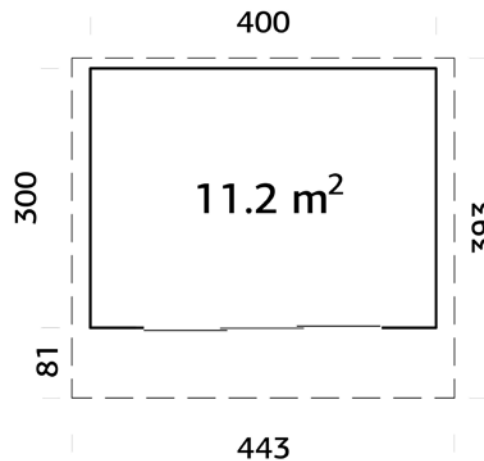


**Slide Plus**

Double glass, toughened, 4-16-4 mm

Please read more about sliding doors on pages 340-341.

Sliding door frame colour: RAL7016



**MODEL SPECIFICATIONS**

**Wall measurements:**

400x300 cm

**Volume:** 27,4 m<sup>3</sup>

**Sliding door opening**

**measurements (three sheets):**

174x192 cm

**Roof boards:** 19 mm

**Roof area:** 17,8 m<sup>2</sup>

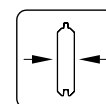
**Roof gradient:** 5,0°

**Gross ground area:** 12,0 m<sup>2</sup>

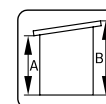
- Modern corner connection.
- Sliding doors included.
- Glue laminated wall panels.
- Strong purlins from laminated wood

**OPTIONAL**

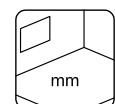
Roofing felt (underlayer): 3 rolls, SBS roofing material: 3 rolls, roofing nails, EPDM, rain gutters. See Optional Products p. 324-345 for details.



56 mm



**A: 231 cm**  
**B: 274 cm**



**Included**  
**28 mm**

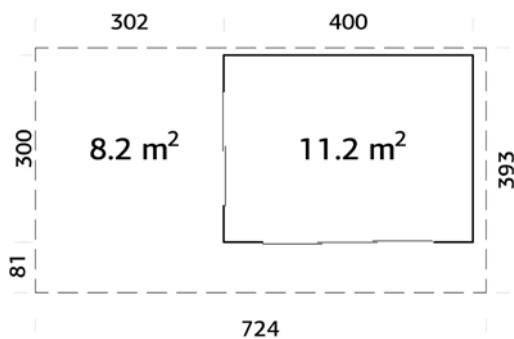


# PALMAKO MODERN LOOK HOUSE GRACE

ARTICLE NUMBER: 110997

## 11,2+8,2m<sup>2</sup> SLIDE PLUS

NEW!



### Slide Plus

Double glass, toughened, 4-16-4 mm

Please read more about sliding doors on pages 340-341.

Sliding door frame colour: RAL7016

### MODEL SPECIFICATIONS

#### Wall measurements:

400+302x300 cm

**Volume:** 27,4+20,4 m<sup>3</sup>

**Sliding door opening measurements (two sheets):**  
85x192 cm

**Sliding door opening measurements (three sheets):**  
174x192 cm

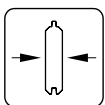
**Roof boards:** 19 mm

**Roof area:** 29,3 m<sup>2</sup>

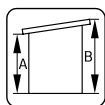
**Roof gradient:** 5,0°

**Gross ground area:** 20,4 m<sup>2</sup>

Modern corner connection.  
Sliding doors included.  
Glue laminated wall panels.  
Strong purlins from laminated wood

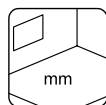


56 mm



A: 231 cm

B: 274 cm



Included

28 mm

### OPTIONAL

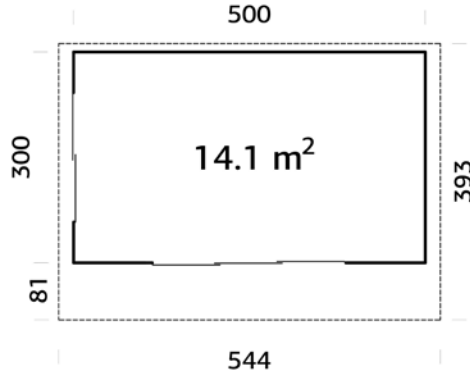
Roofing felt (underlayer): 5 rolls, SBS roofing material: 5 rolls, roofing nails, EPDM, rain gutters. See Optional Products p. 324-345 for details.

# PALMAKO MODERN LOOK HOUSE GRACE

ARTICLE NUMBER: 110994

## 14,1 m<sup>2</sup> SLIDE PLUS

NEW!



### Slide Plus

Double glass, toughened, 4-16-4 mm

Please read more about sliding doors on pages 340-341.

Sliding door frame colour: RAL7016

### MODEL SPECIFICATIONS

#### Wall measurements:

500x300 cm

Volume: 34,4 m<sup>3</sup>

#### Sliding door opening measurements (two sheets):

85x192 cm

#### Sliding door opening measurements (three sheets):

174x192 cm

Roof boards: 19 mm

Roof area: 25,4 m<sup>2</sup>

Roof gradient: 5,0°

Gross ground area: 15,0 m<sup>2</sup>

Modern corner connection.

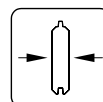
Sliding doors included.

Glue laminated wall panels.

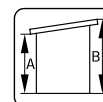
Strong purlins from laminated wood

### OPTIONAL

Roofing felt (underlayer): 5 rolls, SBS roofing material: 5 rolls, roofing nails, EPDM, rain gutters. See Optional Products p. 324-345 for details.

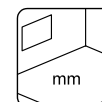


56 mm



A: 231 cm

B: 274 cm



Included

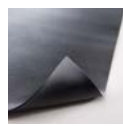
28 mm

PALMAKO MODERN LOOK HOUSES

120-131

# OPTIONAL PRODUCTS

SEE OPTIONAL PRODUCTS, PAGES 324-345



House	Art. No.	Roofing felt, rolls	SBS roofing material, rolls	Roofing nails 1 kg	EPDM <sup>1</sup>	Rain gutters	Additional door	Additional window
Grace 8,1+4,1 m <sup>2</sup>	108586	107210 3 rolls	107214 3 rolls	107930	107171	107375	109095	109086
Grace 8,1+8,1 m <sup>2</sup>	108587	107210 5 rolls	107214 5 rolls	107930	107172	106628	109095	109086
Grace 12,4+4,1 m <sup>2</sup>	108588	107210 5 rolls	107214 5 rolls	107930	107172	106628	109095, 109099	109086
Grace 14,5 m <sup>2</sup>	108922	107210 4 rolls	107214 4 rolls	107930	107173	106628	109544	109086
Grace 11,2 m <sup>2</sup> Slide Plus	110998	107210, 3 rolls	107214 5 rolls	107930	107171	107375		
Grace 11,2+8,2 m <sup>2</sup> Slide Plus	110997	107210, 5 rolls	107214 5 rolls	107930	107173	2x 106627		
Grace 14,1 m <sup>2</sup> Slide Plus	110994	107210, 5 rolls	107214 2 rolls	107930	107172	106628		

<sup>1</sup> Includes glue for EPDM installation. Read more about EPDM p. 331.  
The article number is indicated to untreated items, for treated items ask our sales team.



